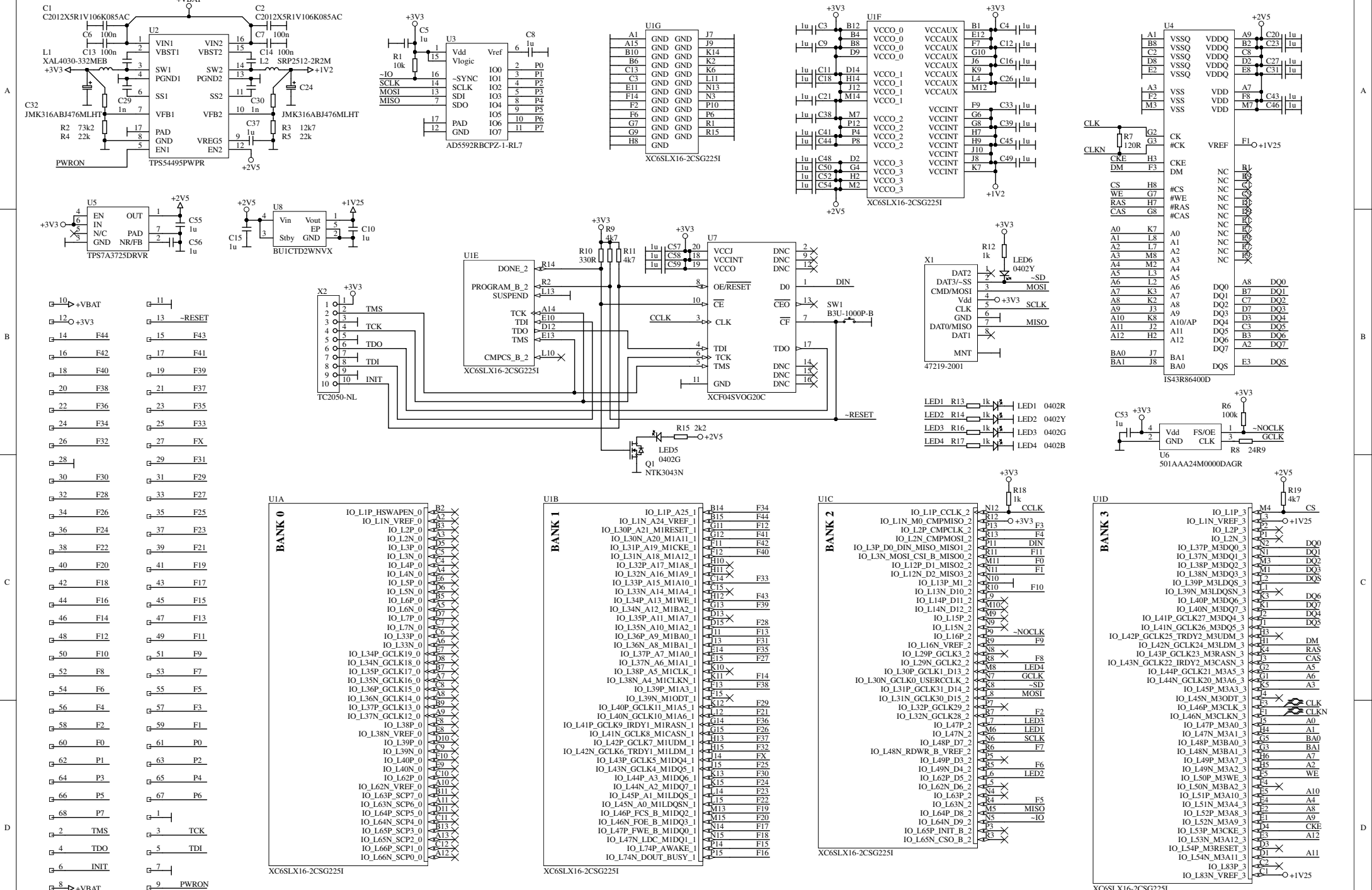


All unspecified capacitors are rated 10V or higher



Config r1601