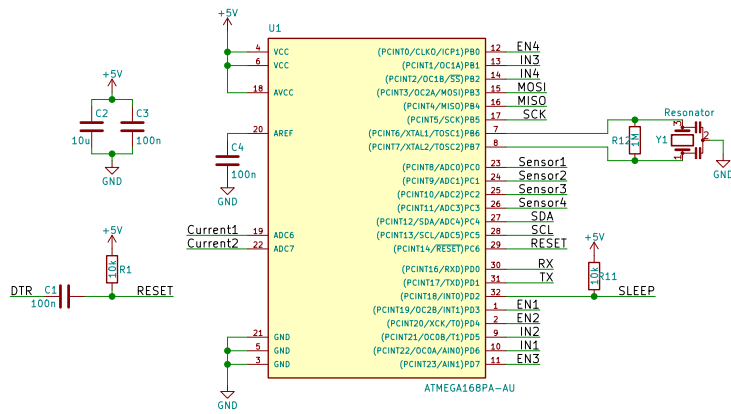
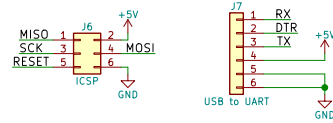


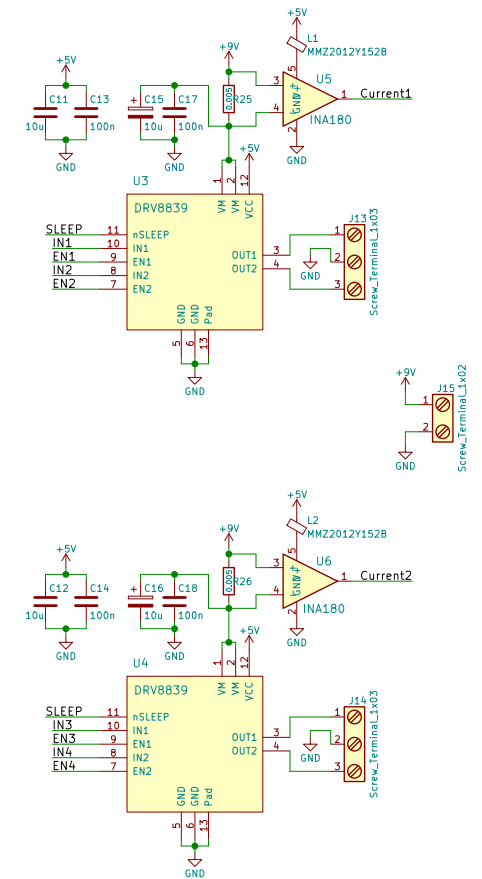
Microcontroller



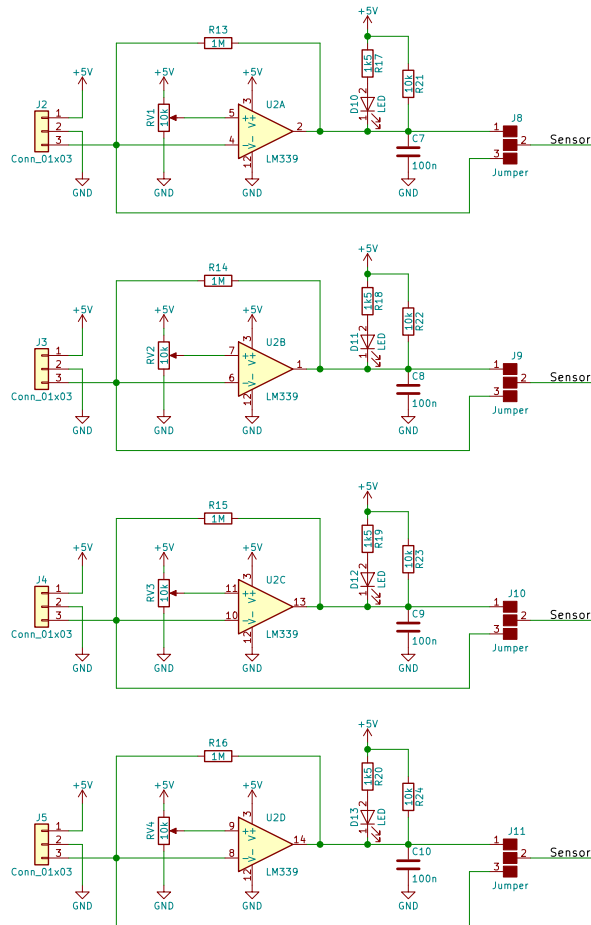
Programming



Motor Driver



Comparator



Sheet: /		
File: I2C_motor_driver.sch		
Title:		
Size: A3	Date:	Rev:
KiCad E.D.A.	kiCad 4.0.7	Id: 1/1