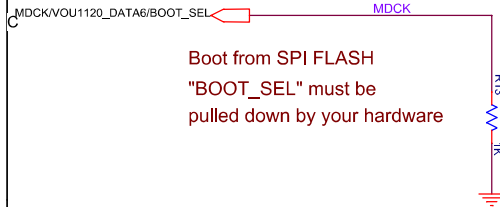
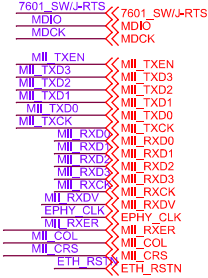


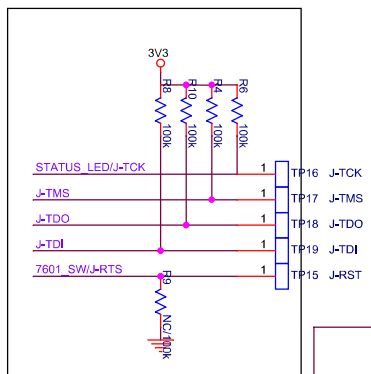
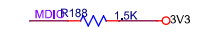
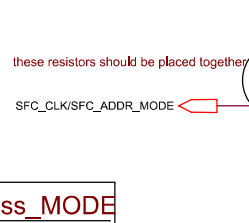


# SYS OF HI3518E

BOOT_SEL	
0	SPI FLASH
1	XXXX



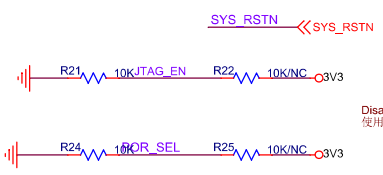
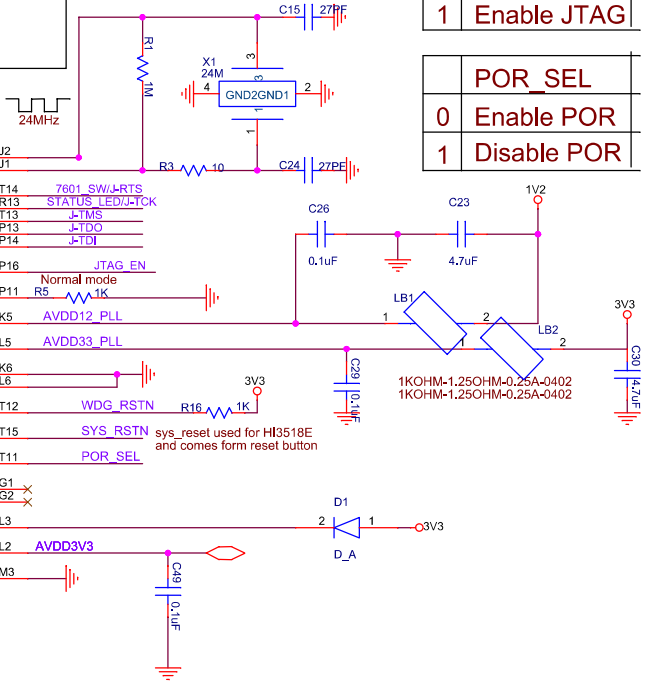
Address_MODE	
0	3 Byte MODE
1	4 Byte MODE



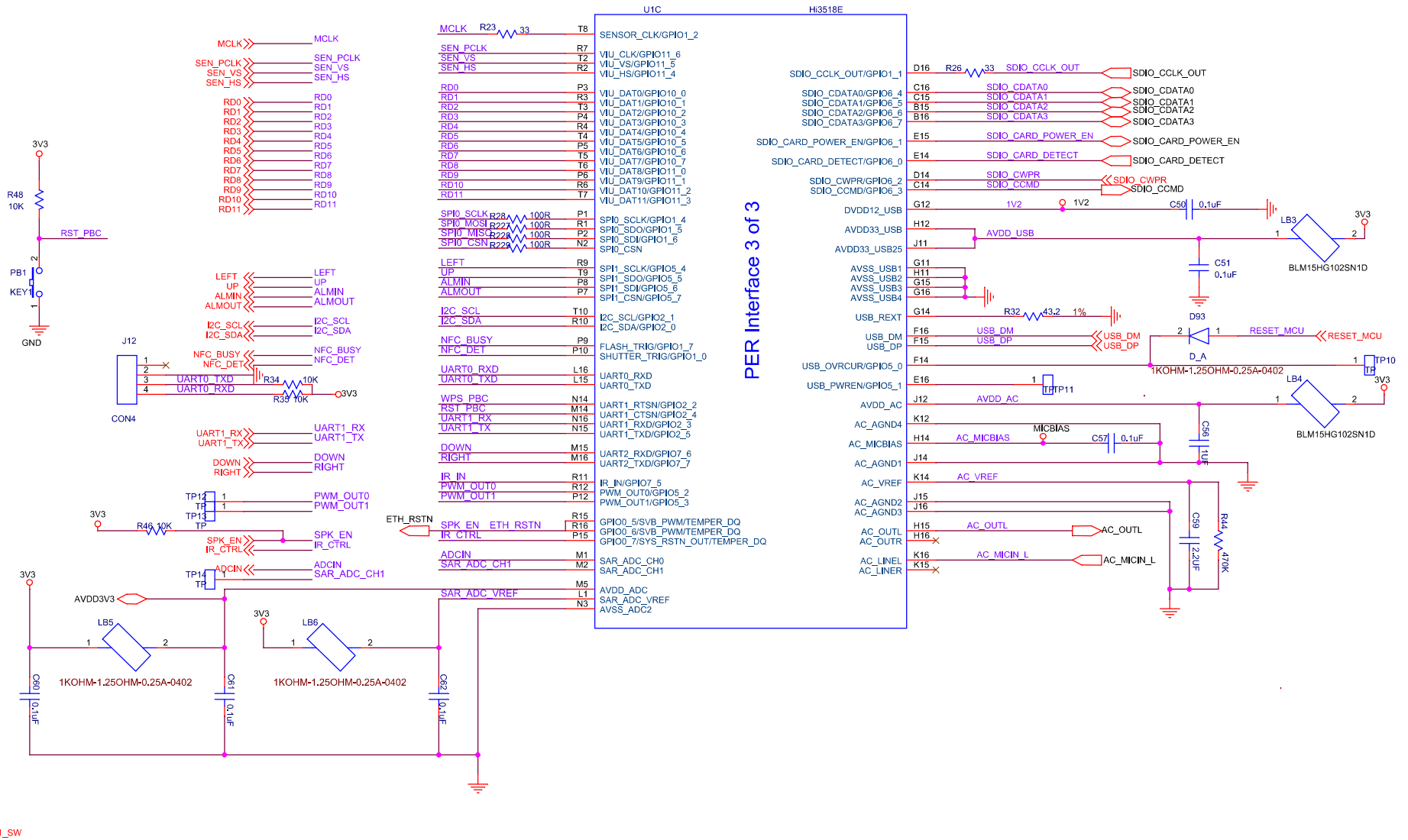
TEST_MODE	
0	Normal MODE
1	Test MODE

JTAG_EN	
0	Disable JTAG
1	Enable JTAG

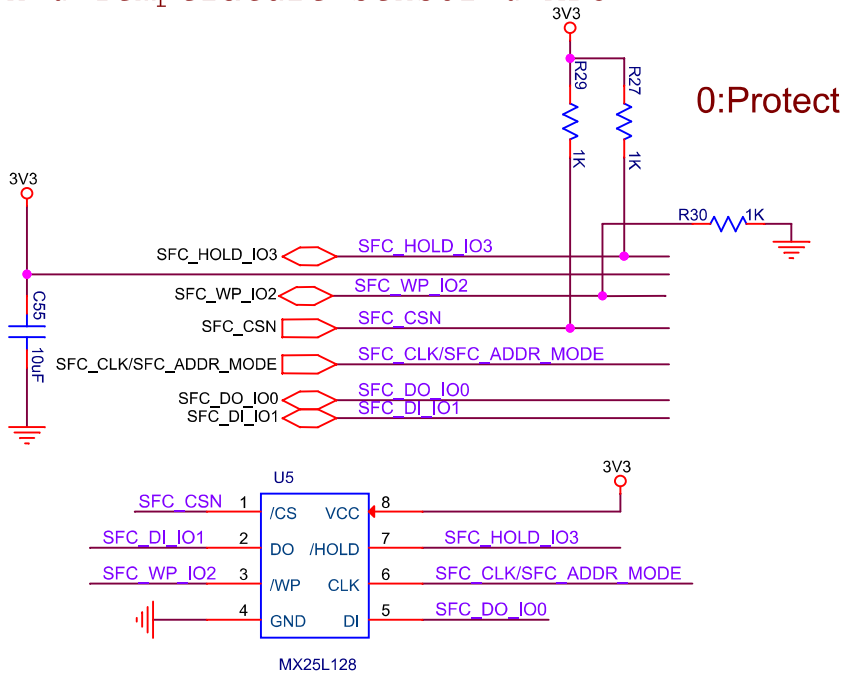
POR_SEL	
0	Enable POR
1	Disable POR



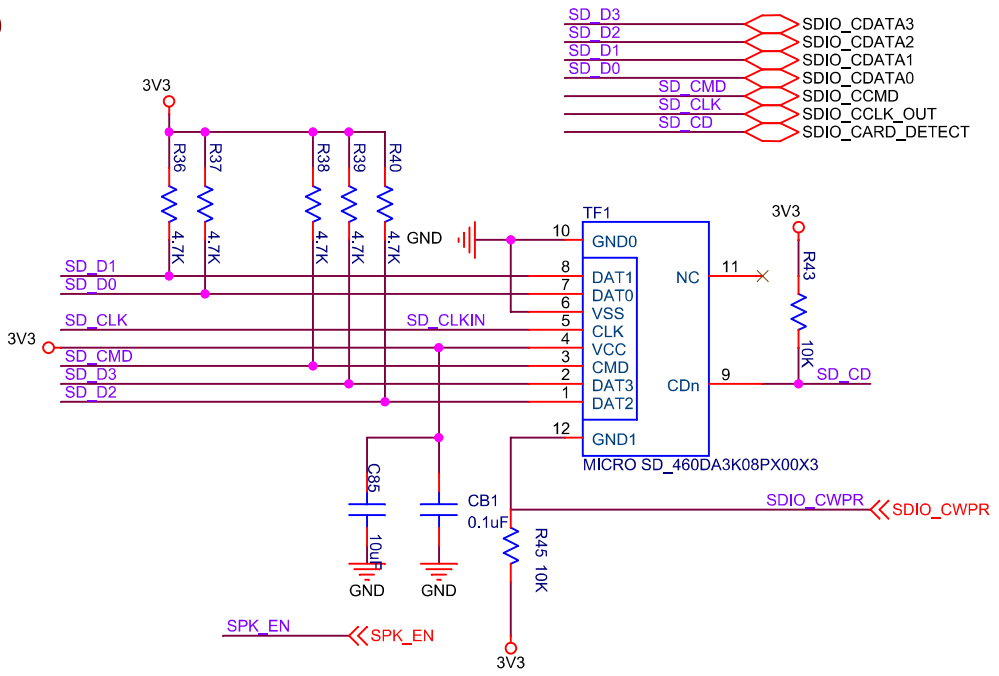
# Peripheral of Hi3518E



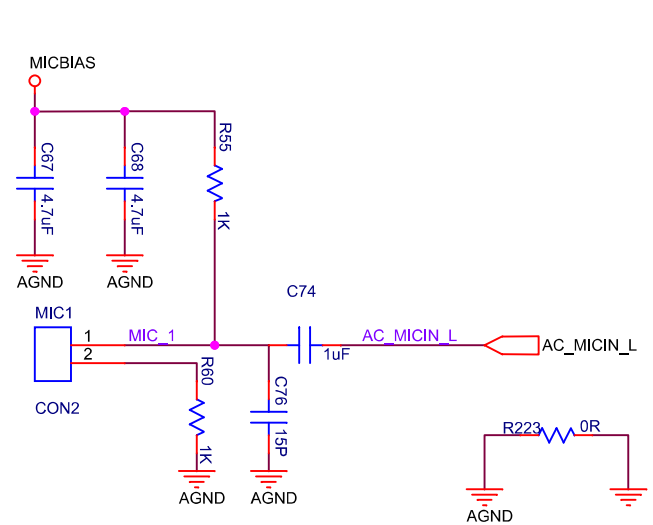
## Flash & Temperature Sensor & ADC



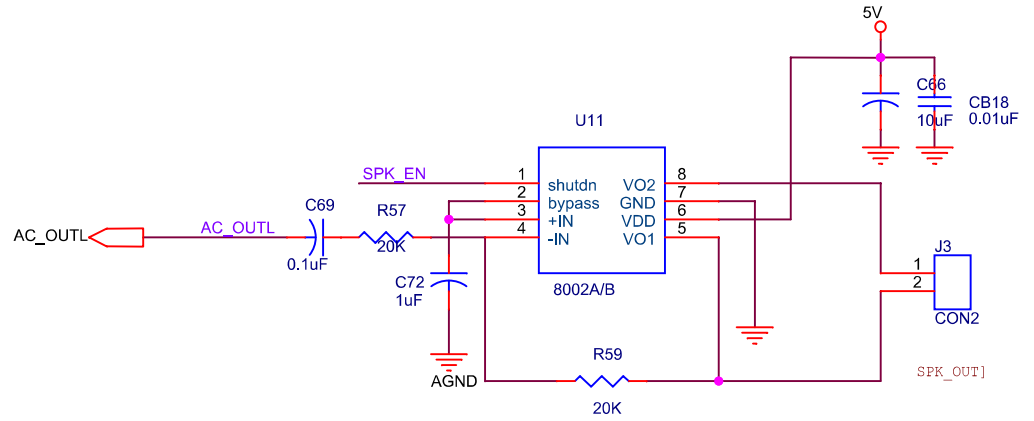
## SD

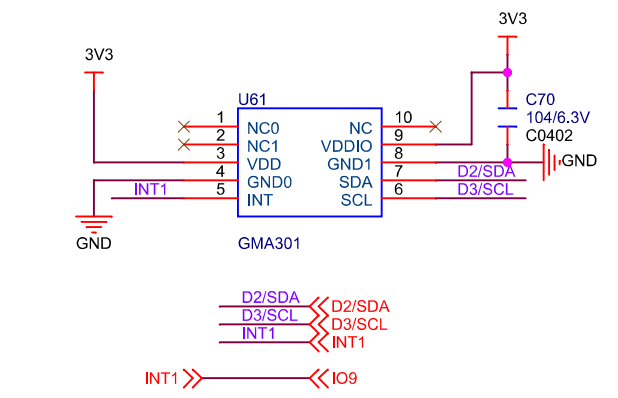
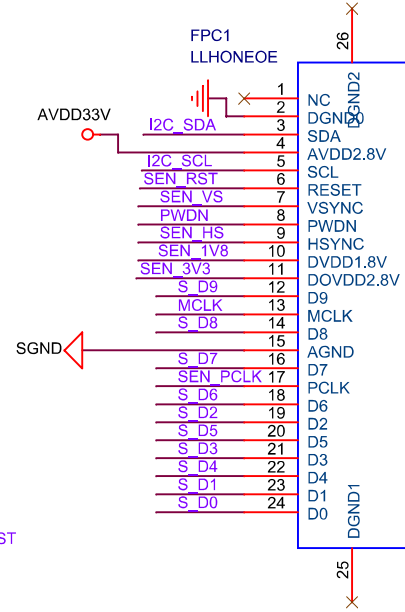
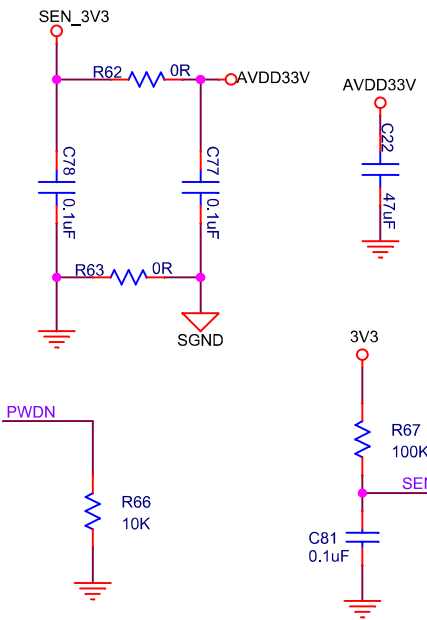
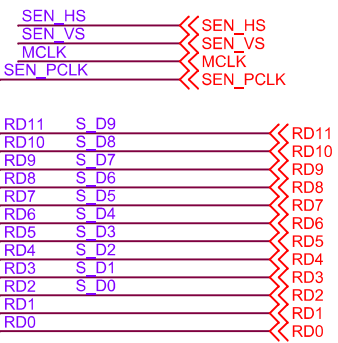
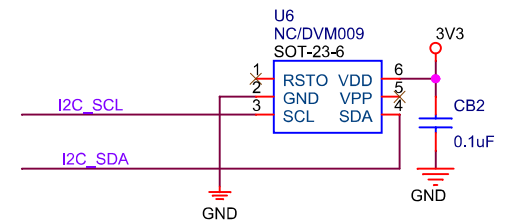
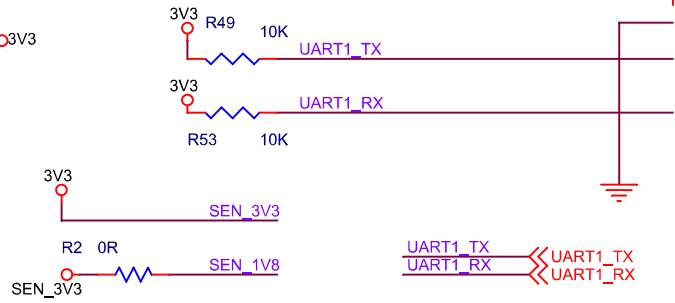
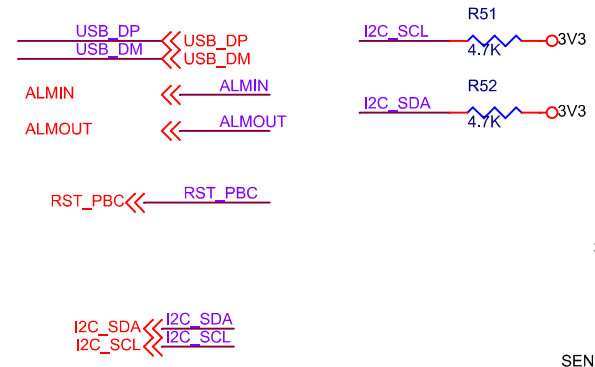
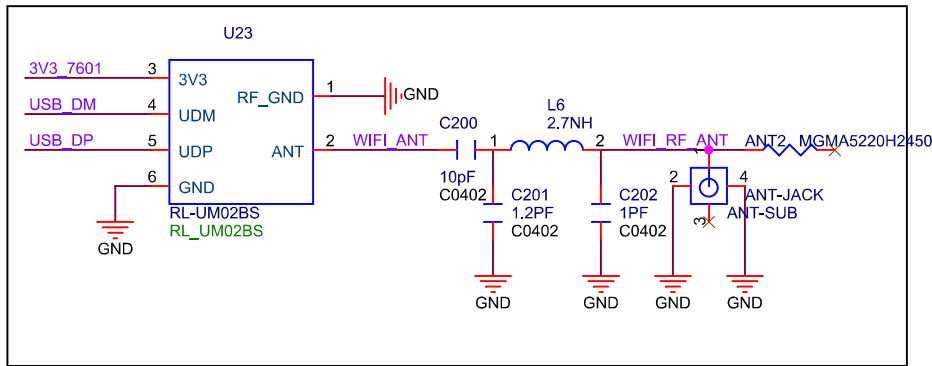
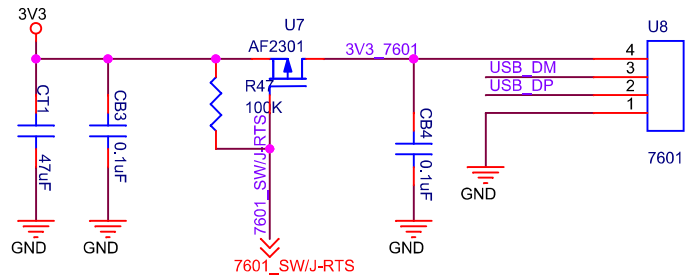


## AUDIO MIC



## AUDIO AMP







需要增加HI3518E对32U4的RESET

