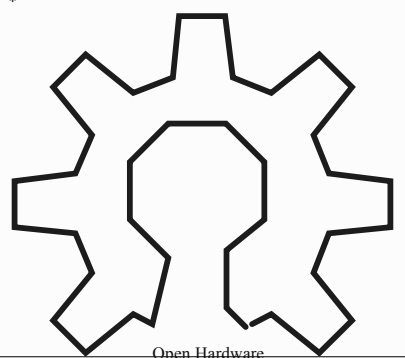
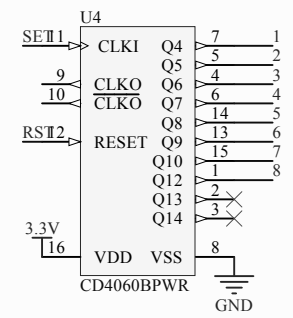
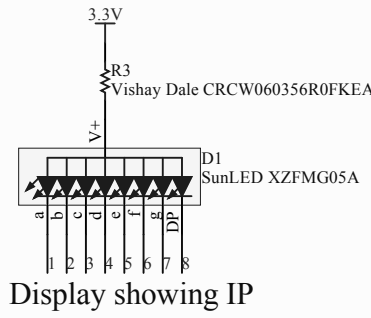
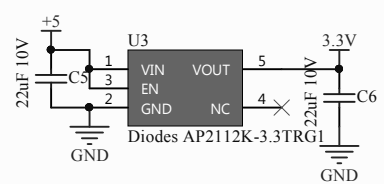
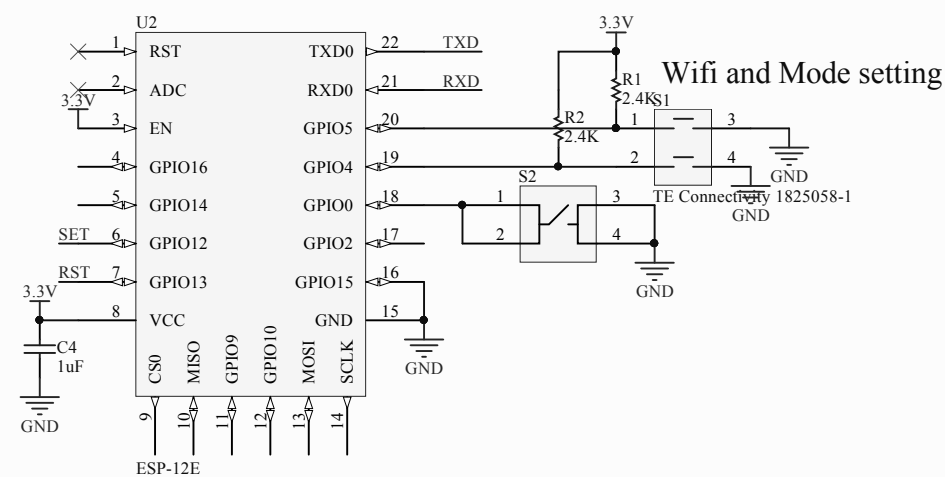
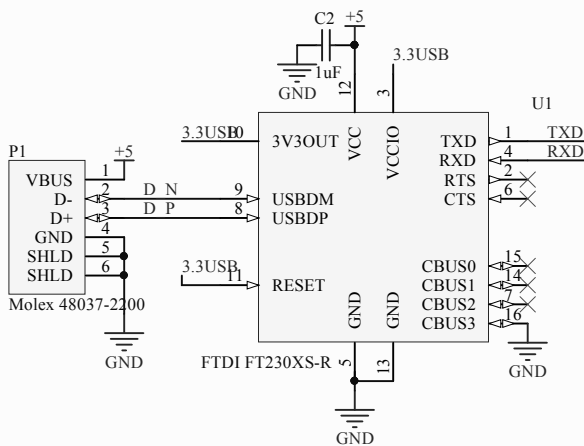


Description	Designator	Manufacturer Part Number	Quantity	Octopart Url	Ciiva URL
CAP CER 22UF 10V Y5V 1206	C5, C6	LMK316F226ZL-T	2		<a href="https://ciiva.com/part/lmk316f226zlt-120806">https://ciiva.com/part/lmk316f226zlt-120806</a>
ESP8266 WiFi Module - ESP-12E	U2	ESP-12E	1		
Open Source Hardware Logo This logo indicates the piece of hardware it is found on incorporates a OSHW license and/or adheres to the definition of open source hardware found here: <a href="http://freedomdefined.org/OSHW">http://freedomdefined.org/OSHW</a>			1		
Res Thick Film 0603 2.4K Ohm 5% 1/10W 100ppm/C Molded SMD SMD Paper T/R	R1, R2	RC0603JR-072K4L	2		<a href="https://ciiva.com/part/rc0603jr-072k4l-13559605">https://ciiva.com/part/rc0603jr-072k4l-13559605</a>
CAP CER 1UF 16V 10% X5R 0603	C2, C4		2	<a href="https://octopart.com/0603ykd105kat2a-avx+interconnect+%2F+elco-46506197">https://octopart.com/0603ykd105kat2a-avx+interconnect+%2F+elco-46506197</a>	
IC REG LDO 3.3V 0.6A SOT25	U3		1	<a href="https://octopart.com/ap2112k-3.3trg1-diodes+inc.-30954557">https://octopart.com/ap2112k-3.3trg1-diodes+inc.-30954557</a>	
SWITCH TACTILE SPST-NO 0.05A 24V	S2		1	<a href="https://octopart.com/fsm4j-smarte-connectivity+%2F+alcoswitch-39752200">https://octopart.com/fsm4j-smarte-connectivity+%2F+alcoswitch-39752200</a>	
Interface; USB-basic UART; Number of pins CBUS: 4; tape; SSOP16	U1	FT230XS-R	1	<a href="http://octopart.com/ft230xsr-ftdi-22061505">http://octopart.com/ft230xsr-ftdi-22061505</a>	
RES SMD 56 OHM 1% 1/10W 0603	R3		1	<a href="https://octopart.com/crcw060356r0fkeavishay-39997822">https://octopart.com/crcw060356r0fkeavishay-39997822</a>	
Switch DIP OFF ON SPST 2 Raised Slide 0.1A 24VDC Gull Wing 2.54mm SMD Tube	S1	1825058-1	1	<a href="http://octopart.com/1825058-1-te+connectivity-46507542">http://octopart.com/1825058-1-te+connectivity-46507542</a>	
Display Led 0.2" Green Ca Smd	D1	XZFMG05A	1	<a href="http://octopart.com/xzfmg05a-sunled-39188822">http://octopart.com/xzfmg05a-sunled-39188822</a>	
CMOS 14-Stage Ripple Carry Binary Counter / Divider and Oscillator, 3 to 18 V, -55 to 125 degC, 16-Pin TSSOP (PW), Green (RoHS & no Sb/Br), Tape and Reel	U4		1	<a href="https://octopart.com/cd4060bpwr-texas+instruments-432031">https://octopart.com/cd4060bpwr-texas+instruments-432031</a>	
Conn.; Data; USB; Plug; Shielded; Type A; Rt. Angle; SMT; Gold Plating	P1	48037-2200	1	<a href="http://octopar">http://octopar</a>	



Title		
Size	Number	Revision
A4		
Date:	25/11/2015	Sheet of
File:	Main.SchDoc	Drawn By:

