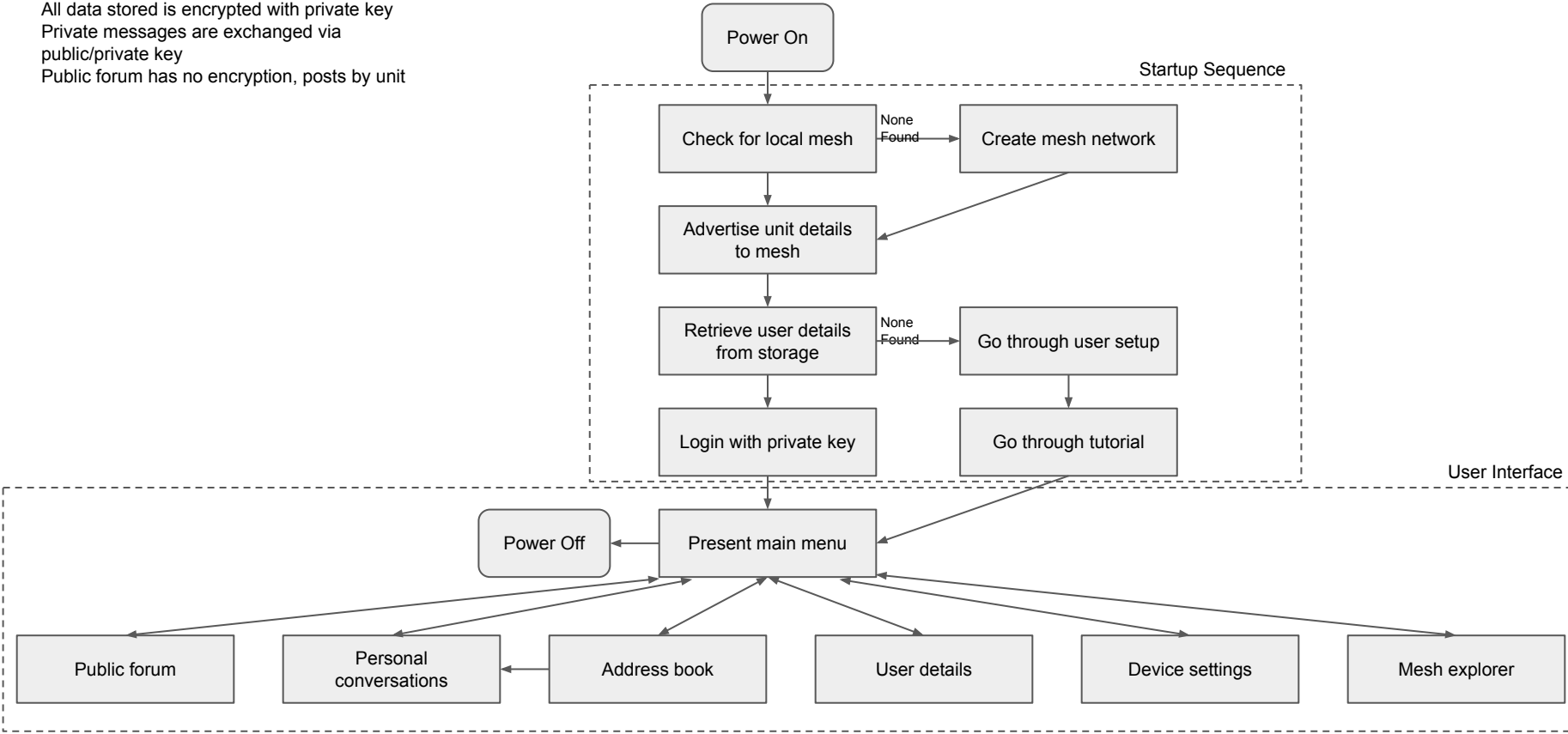


# General Notes:

- Nothing publicly links a unit to a user
- All data stored is encrypted with private key
- Private messages are exchanged via public/private key
- Public forum has no encryption, posts by unit

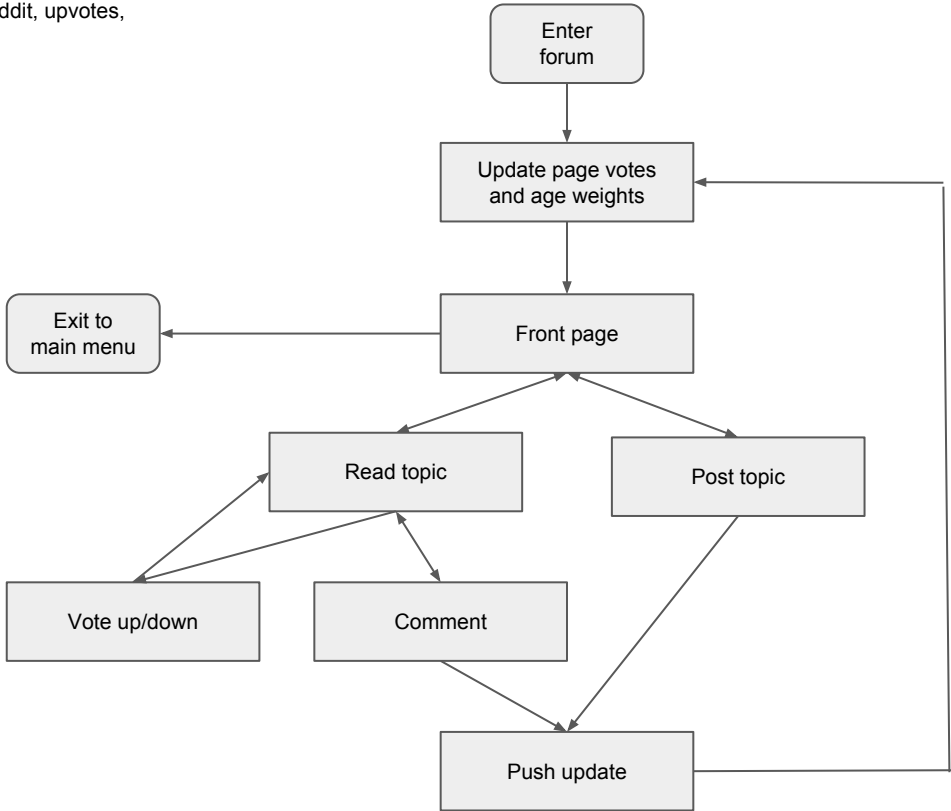
# Usage Flow



# General Notes:

- Nothing publicly links a unit to a user
- Forum functions similar to Reddit, upvotes, post aging, etc
- Posting is reputation free

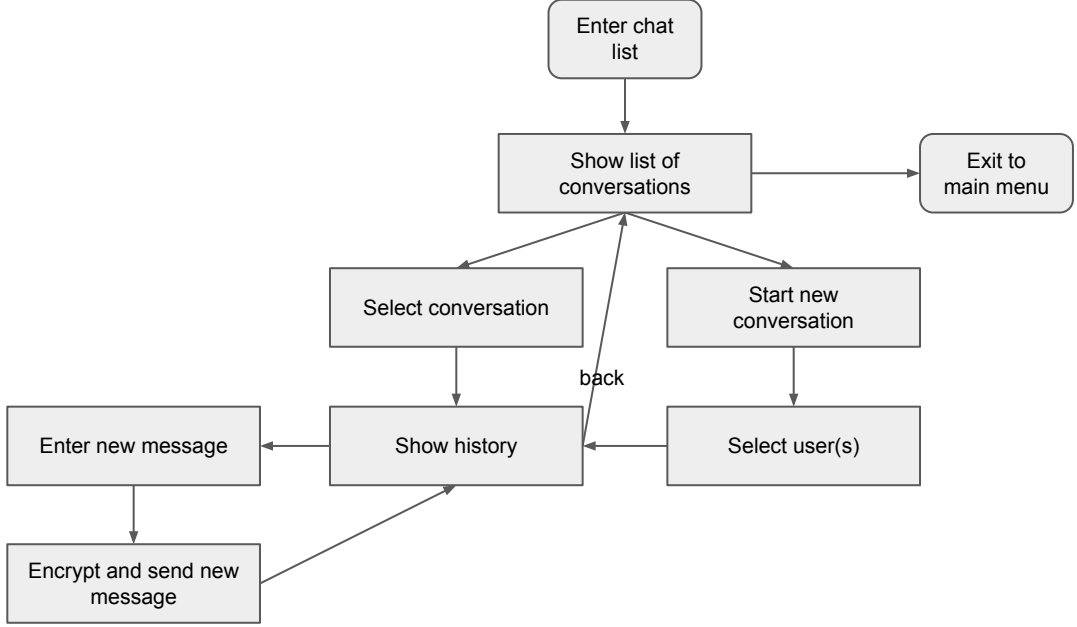
# Public Forum



# General Notes:

- Think GChat
- Sending message requires reputation

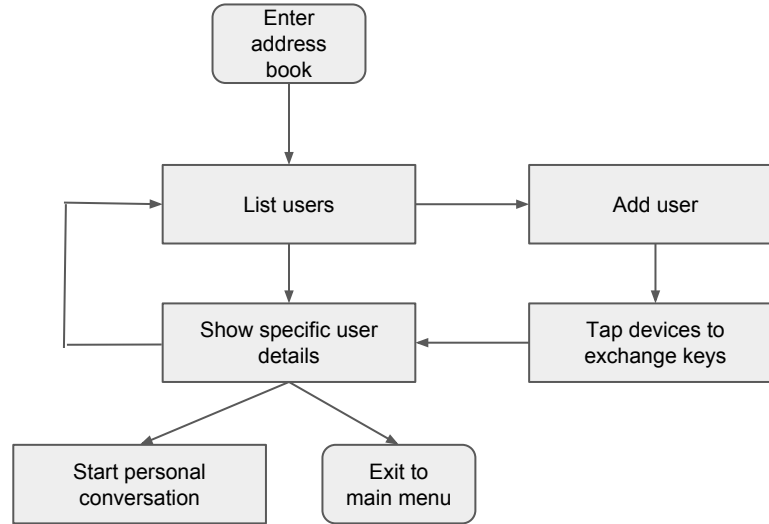
# Personal Conversations



## General Notes:

- Users are added to Address book via NFC
- All data stored is encrypted with private key
- Private messages are exchanged via public/private key

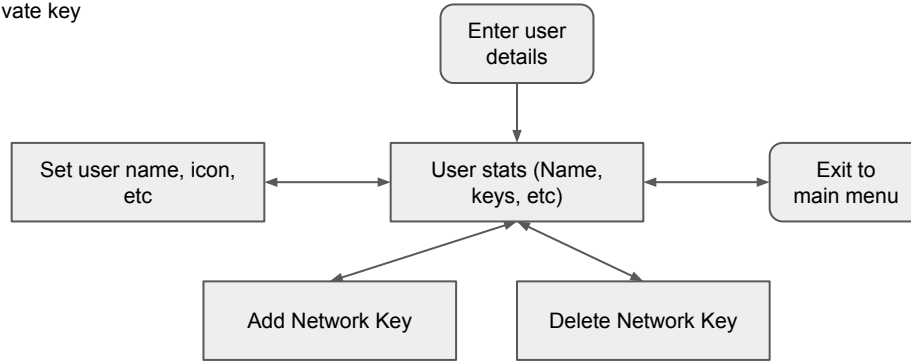
# Address Book



## General Notes:

- Nothing publicly links a unit to a user
- All data stored is encrypted with private key

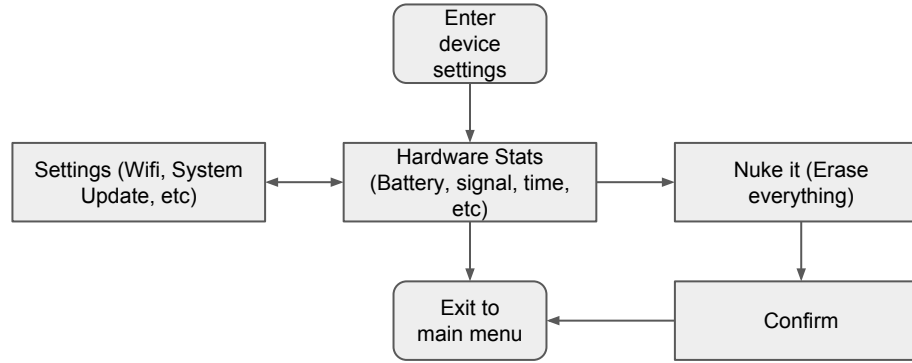
## User Details



## General Notes:

- Nothing publicly links a unit to a user

## Device Settings



## General Notes:

- Nothing publicly links a unit to a user
- Using time delay propagation, signal strength, and hop counting, we should be able to get a network diagram with rough distances

## Mesh Explorer

