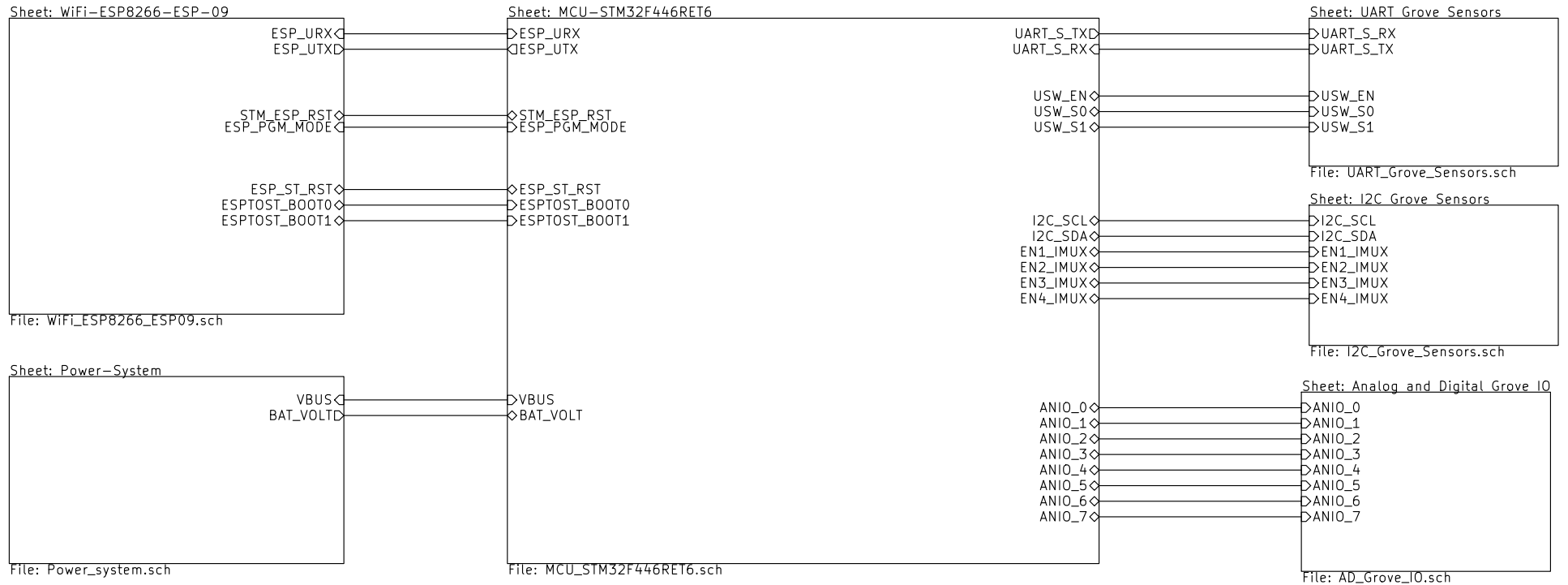


SunLeaf 0.2a System Overview



Designed by Adam Vadala-Roth

GhostPCB

Sheet: /

File: SunLeaf_V2.sch

Title: SunLeaf 0.2a

Size: A4

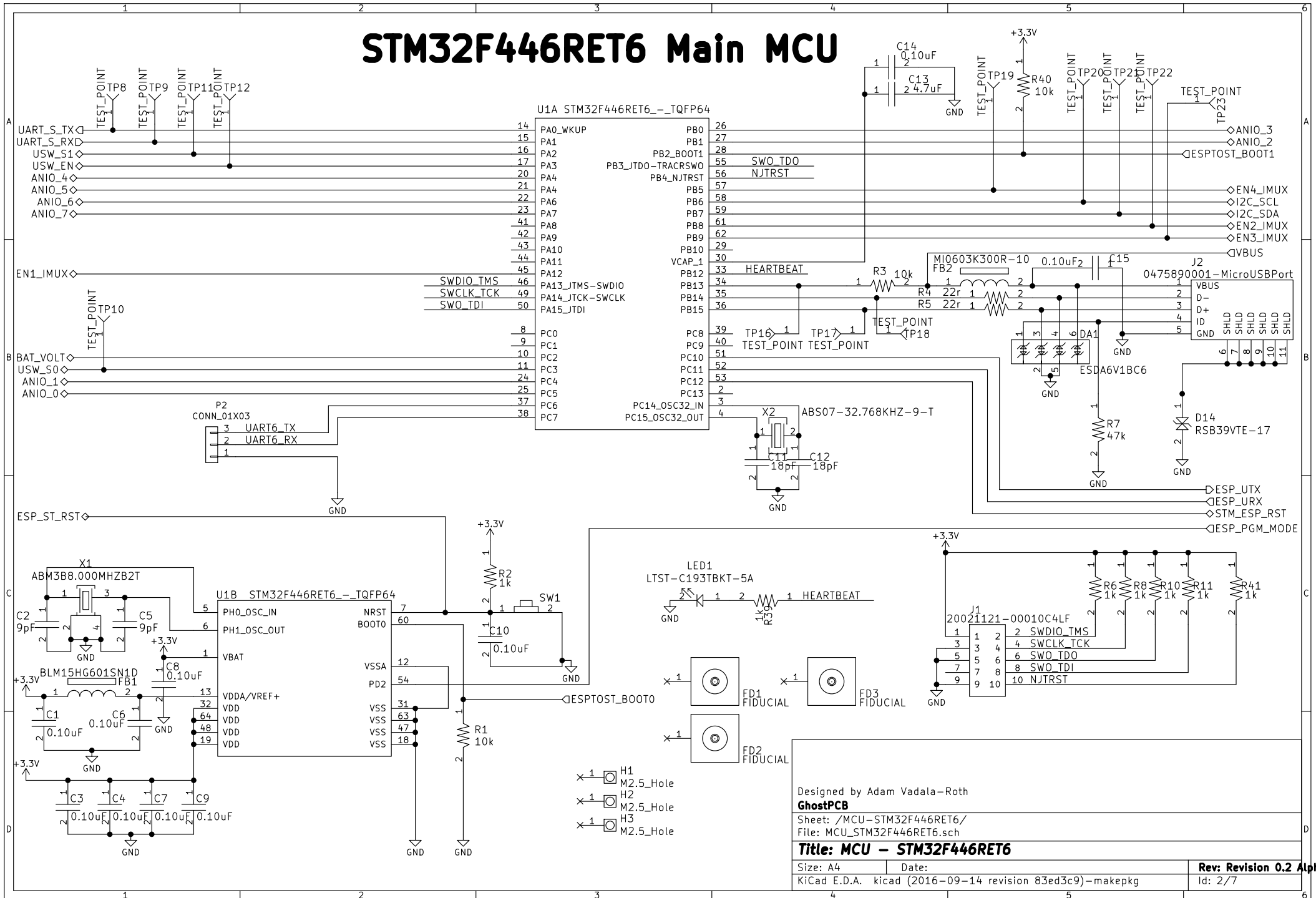
Date:

Rev: Revision 0.2 Alpha

KiCad E.D.A. kicad (2016-09-14 revision 83ed3c9)-makepkg

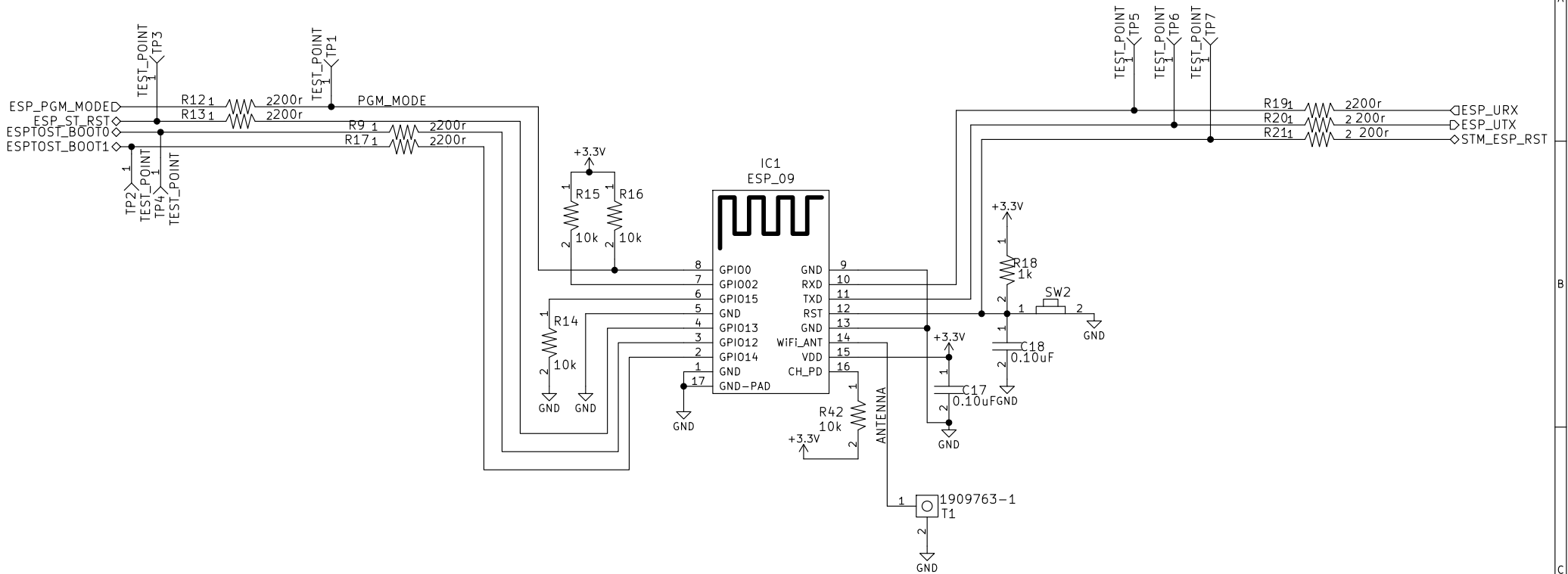
Id: 1/7

STM32F446RET6 Main MCU



Designed by Adam Vadala-Roth
GhostPCB
 Sheet: /MCU-STM32F446RET6/
 File: MCU_STM32F446RET6.sch
Title: MCU - STM32F446RET6
 Size: A4 Date:
 KiCad E.D.A. kicad (2016-09-14 revision 83ed3c9)-makepkg Id: 2/7
Rev: Revision 0.2 Alpha

ESP-09 ESP8266 WiFi RF Module



Designed by Adam Vadala-Roth

GhostPCB

Sheet: /WiFi-ESP8266-ESP-09/

File: WiFi_ESP8266_ESP09.sch

Title: WiFi ESP8266 ESP-09 Module

Size: A4

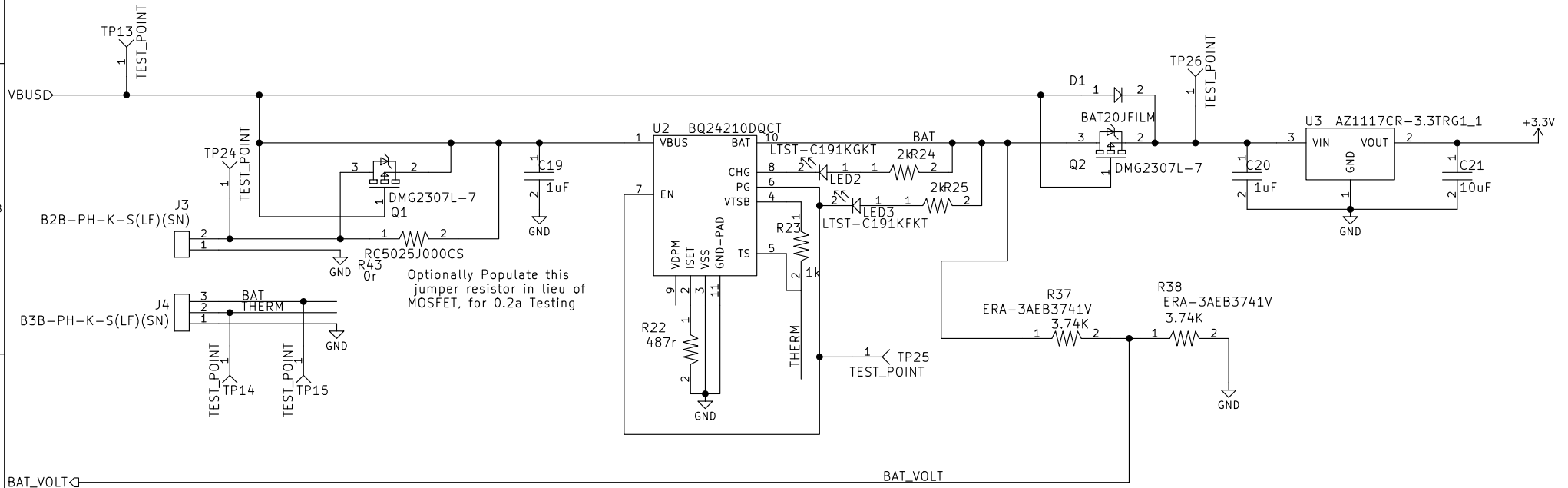
Date:

Rev: Revision 0.2 Alpha

KiCad E.D.A. kicad (2016-09-14 revision 83ed3c9)-makepkg

Id: 3/7

Battery Charge Controller and Power Supply



Designed by Adam Vadala-Roth

GhostPCB

Sheet: /Power-System/

File: Power_system.sch

Title: Power System - LDO & Solar Battery Charger

Size: A4

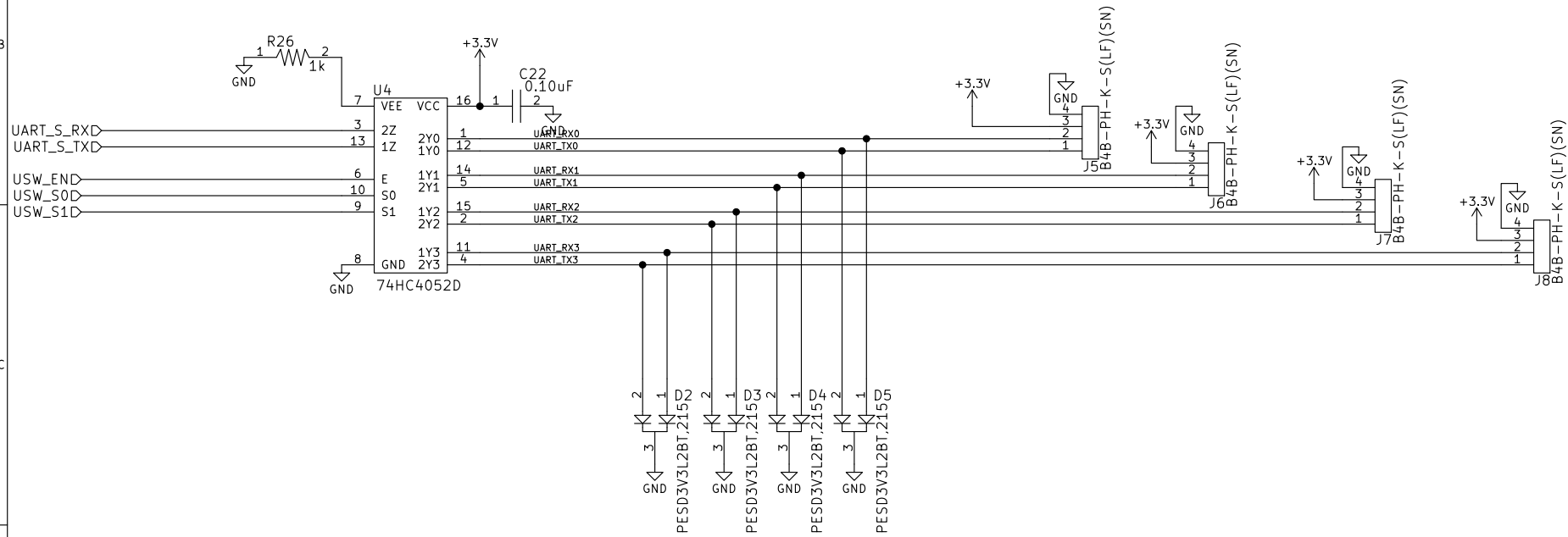
Date:

Rev: Revision 0.2 Alpha

KiCad E.D.A. kicad (2016-09-14 revision 83ed3c9)-makepkg

Id: 4/7

UART Grove Sensors



Designed by Adam Vadala-Roth

GhostPCB

Sheet: /UART Grove Sensors/

File: UART_Grove_Sensors.sch

Title: UART Grove Sensor Ports

Size: A4

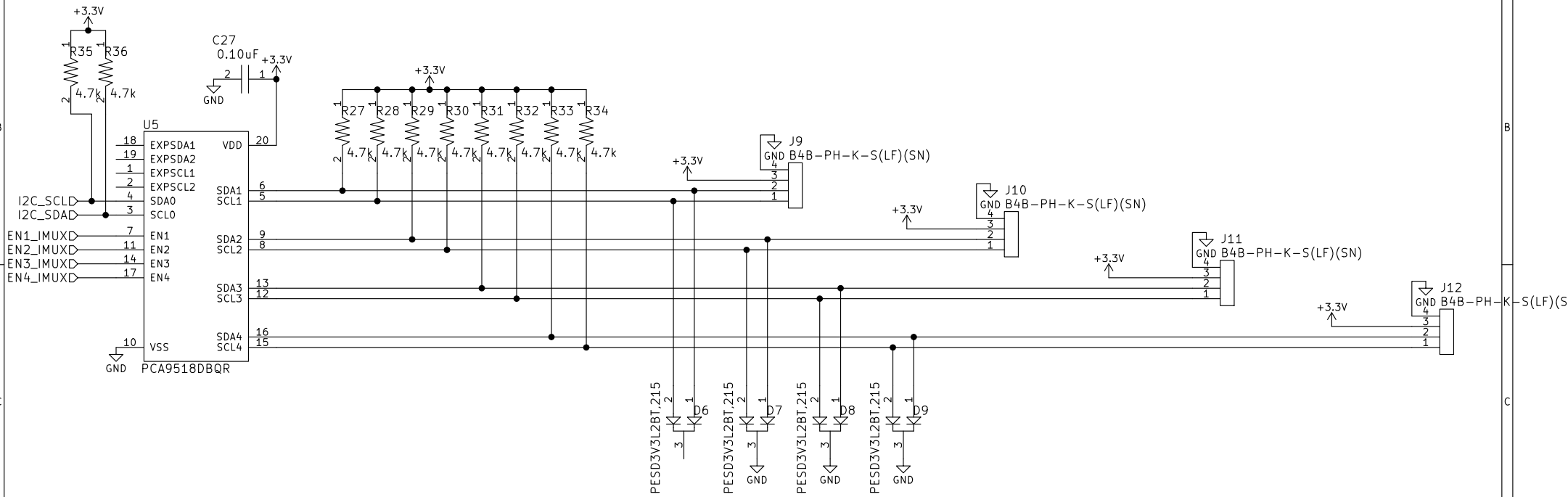
Date:

Rev: Revision 0.2 Alpha

KiCad E.D.A. kicad (2016-09-14 revision 83ed3c9)-makepkg

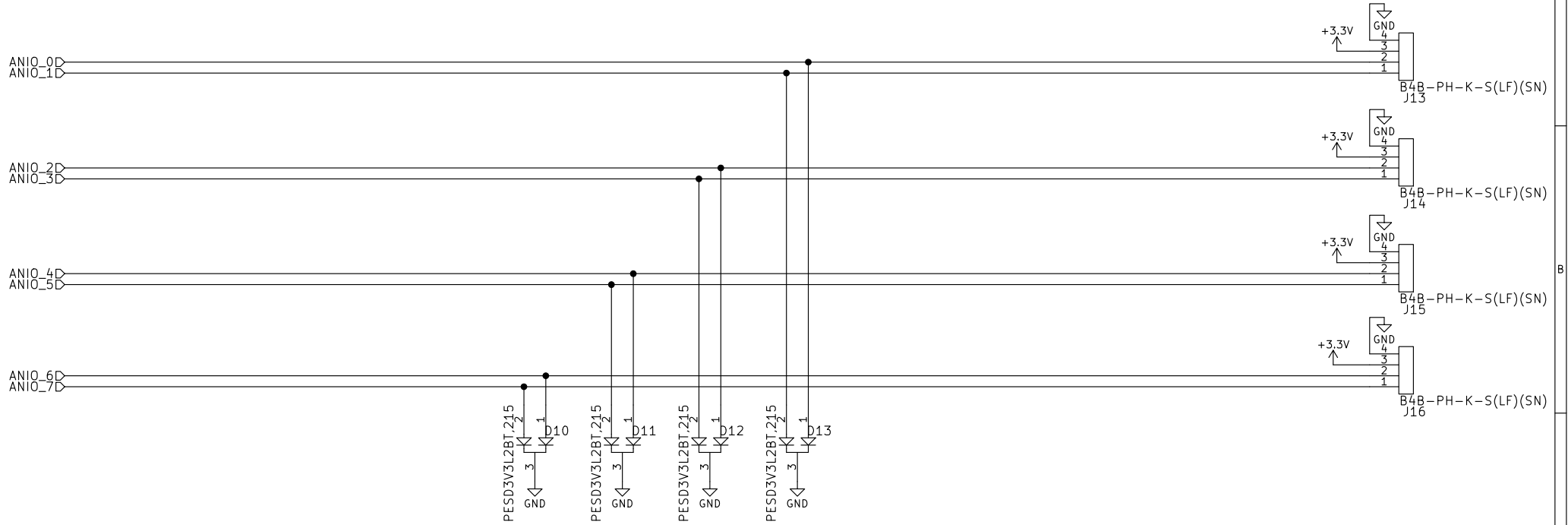
Id: 5/7

I2C Grove Sensors



Designed by Adam Vadala-Roth		
GhostPCB		
Sheet: /I2C Grove Sensors/		
File: I2C_Grove_Sensors.sch		
Title: I2C Grove Sensor Ports		
Size: A4	Date:	Rev: Revision 0.2 Alpha
KiCad E.D.A. kicad (2016-09-14 revision 83ed3c9)-makepkg		Id: 6/7

Analog and GPIO Grove



Designed by Adam Vadala-Roth

GhostPCB

Sheet: /Analog and Digital Grove IO/

File: AD_Grove_IO.sch

Title: Analog and Digital Grove IO Ports

Size: A4

Date:

Rev: Revision 0.2 Alpha

KiCad E.D.A. kicad (2016-09-14 revision 83ed3c9)-makepkg

Id: 7/7