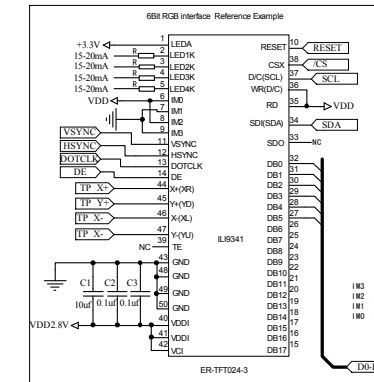
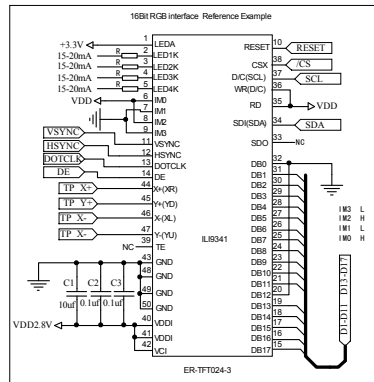
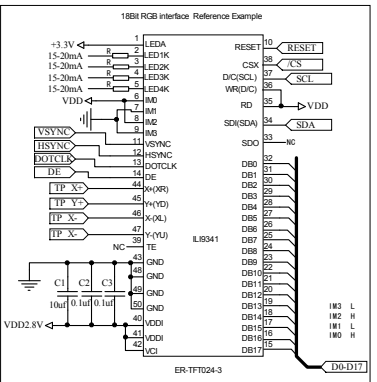
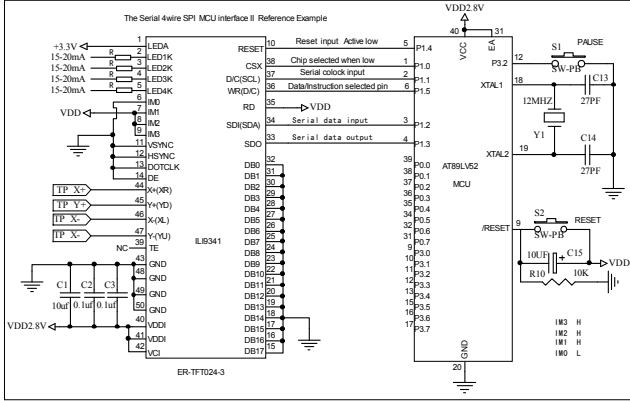
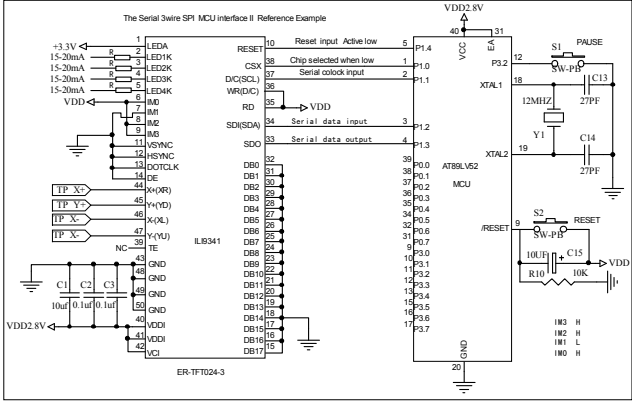
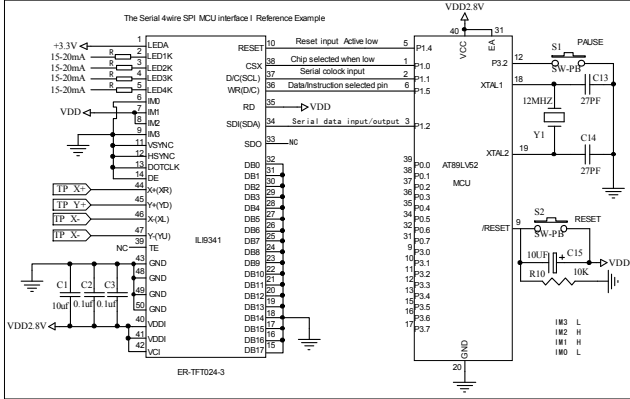
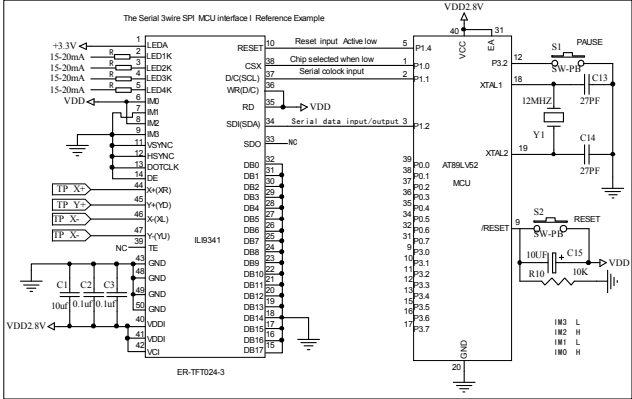
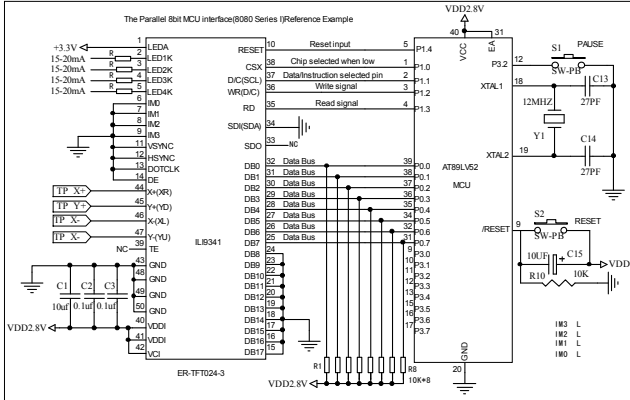
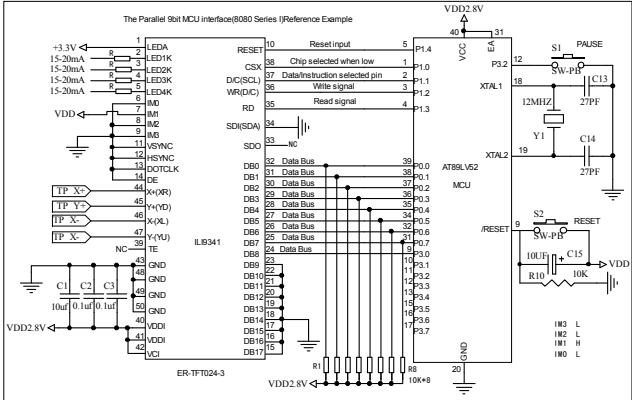
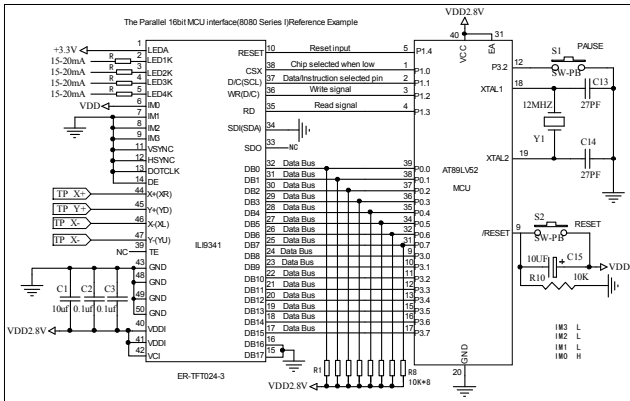
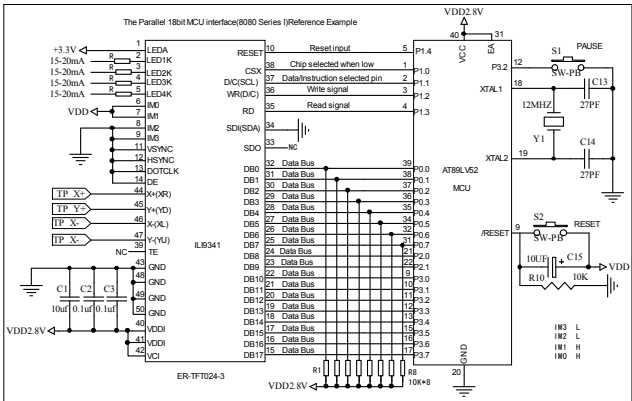


TFT LCD MODULE ER-TFT024-3 to MCU AT89LV52 Interfacing



Title EASTRISING TECHNOLOGY CO.,LTD.

REV.	DESCRIPTION OF MODIFY	MODIFY BY	DATE	Slab	Number	Revision
A0	1 ST DESIGN	J.W	2014.06.12	A	ER-TFT024-3	A0
A1					Date: Jun-21-2014	Sheet of 1
A2					File	Drawn By J.Wen