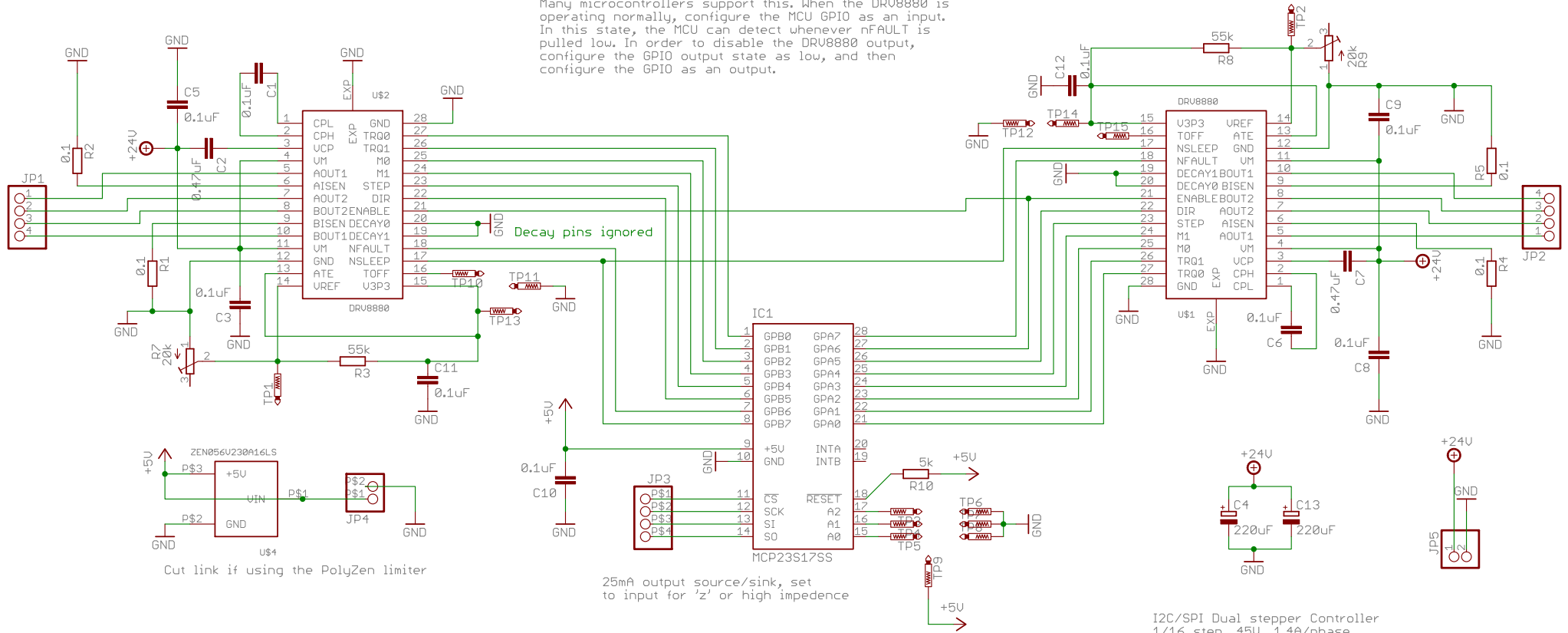


A microcontroller can retain control of the ENABLE pin while in retry mode if it is operated like an open-drain output. Many microcontrollers support this. When the DRV8888 is operating normally, configure the MCU GPIO as an input. In this state, the MCU can detect whenever nFAULT is pulled low. In order to disable the DRV8888 output, configure the GPIO output state as low, and then configure the GPIO as an output.



Cut link if using the PolyZen limiter

25mA output source/sink, set to input for 'z' or high impedance

I2C/SPI Dual stepper Controller
 1/16 step, 45U, 1.4A/phase
 DBrown Engineering 2016
 Shared under Creative Commons 3.0 ShareAlike