

8 7 6 5 4 3 2 1

D

C

B

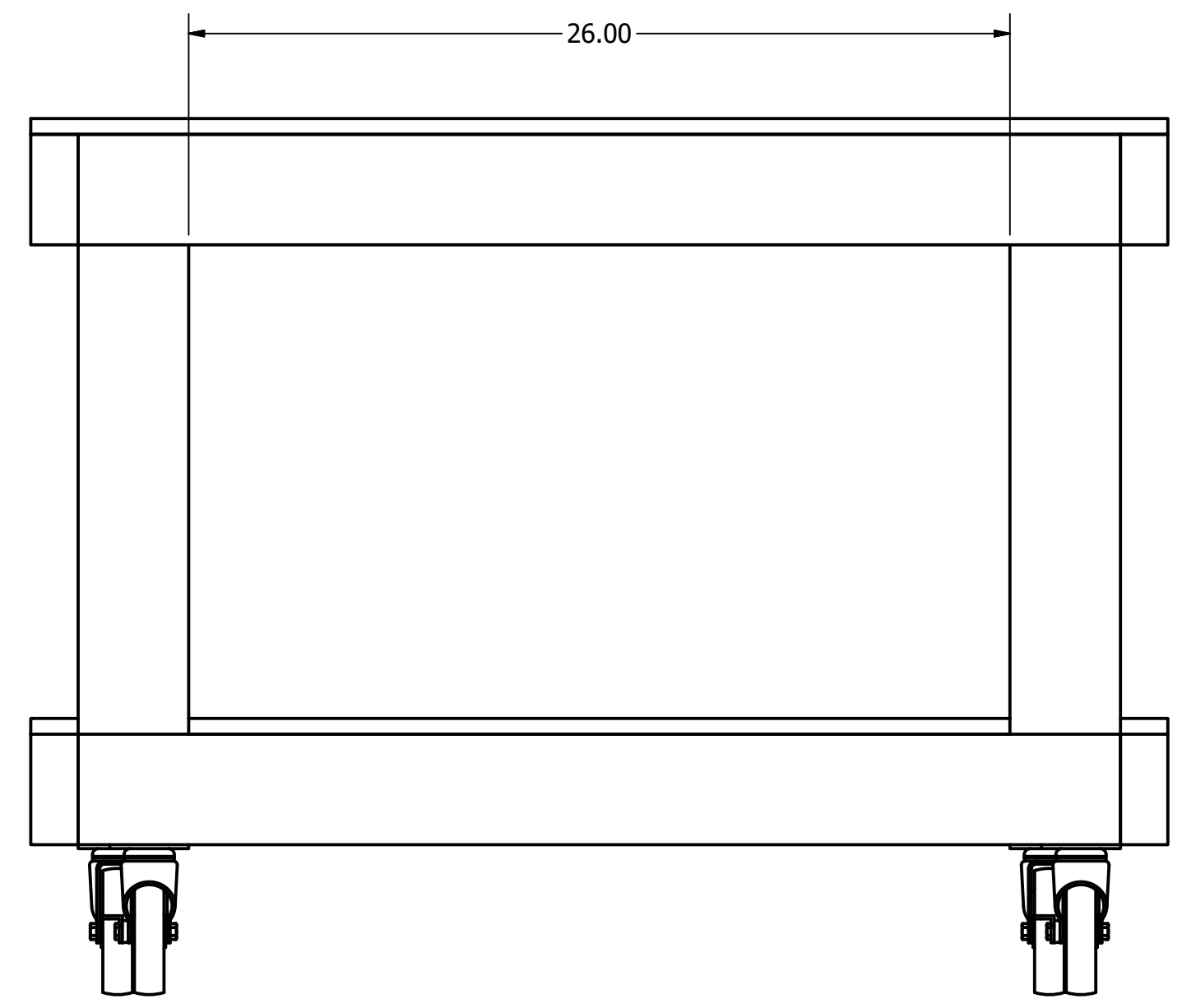
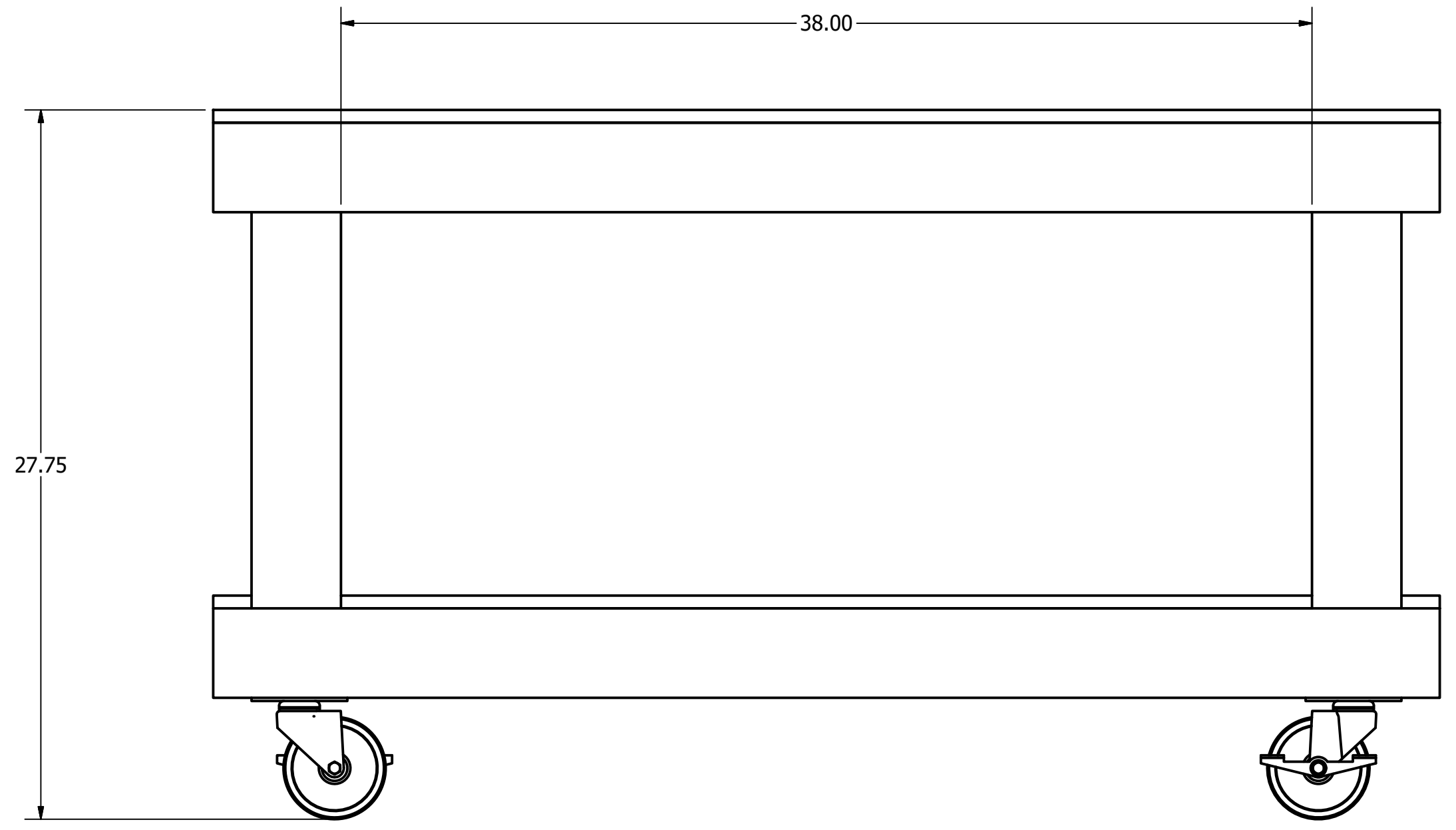
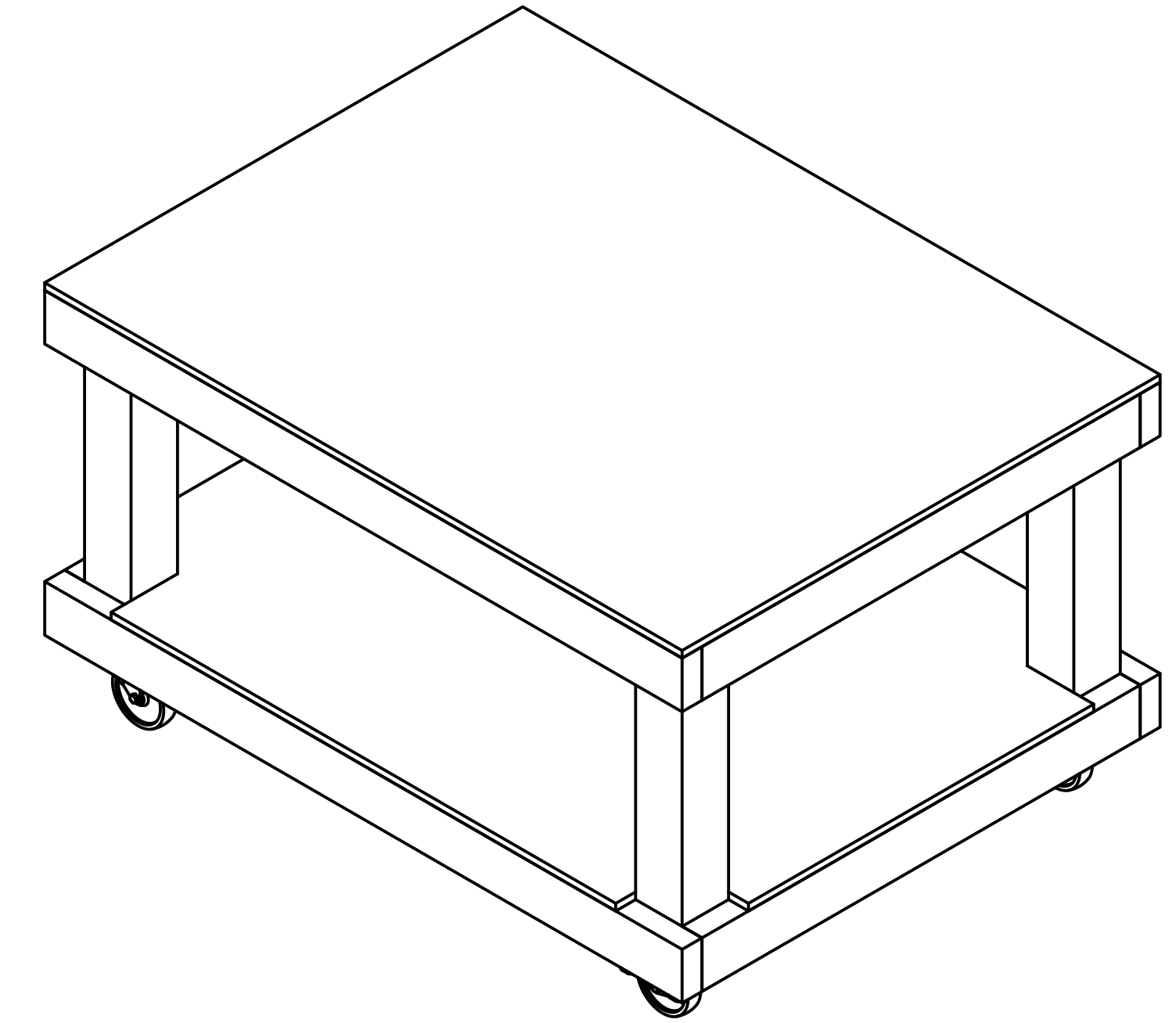
A

D

C

B

A



DRAWN davidgitz	4/25/2016	TITLE	
CHECKED		REV	
QA		REV	
MFG		REV	
APPROVED		REV	
		SIZE D	DWG NO TestStand
		SCALE 1/5	SHEET 1 OF 1

8 7 6 5 4 3 2 1