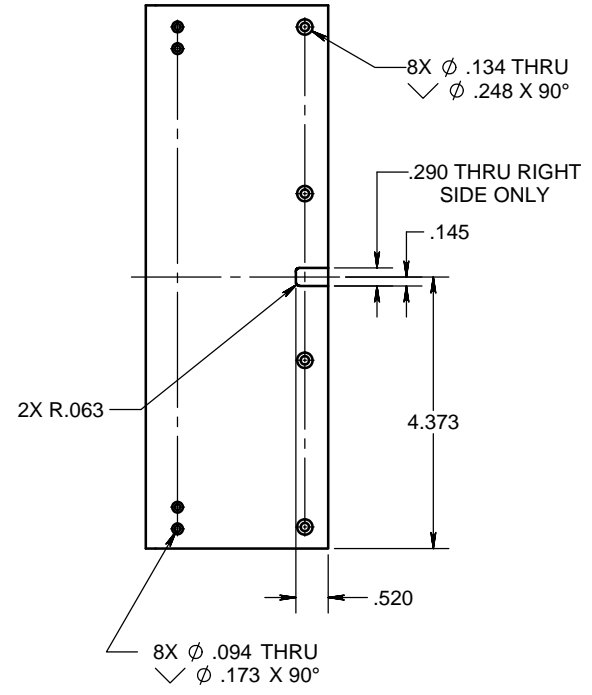
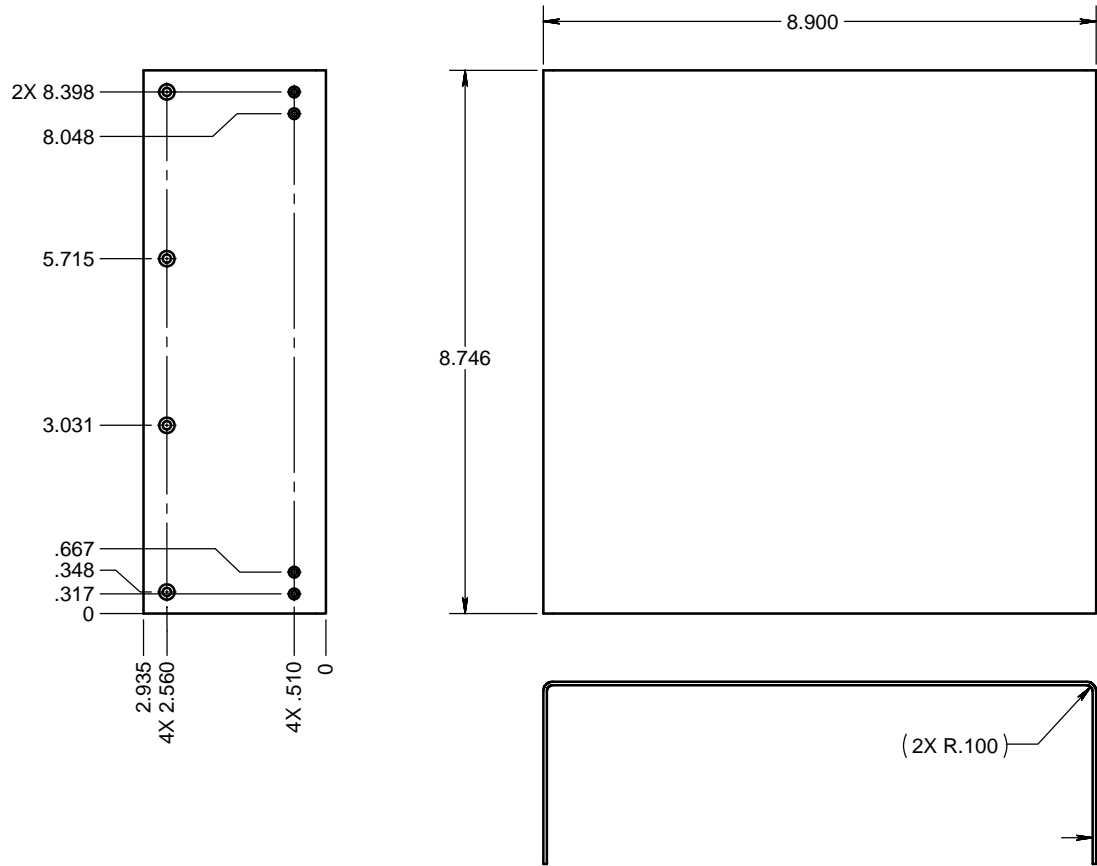


REVISIONS			
REV	DESCRIPTION	DATE	APPROVED
1	INITIAL SKETCH	2011-10-26	J. DEMERS



NOTES: UNLESS OTHERWISE SPECIFIED

- 1 MATERIAL: 15 GAUGE ALUMINUM (.0571 IN) OR EQUIVALENT.
- 2 FINISH: ANODIZE PER MIL-A-8625, TYPE II, CLASS 2, BLACK
- 3. ALL MATERIALS REQUIRED TO BE RoHS AND WEEE COMPLIANT PER EUROPEAN DIRECTIVES 2002/95/EC & 2002/96/EC INCLUDING ALL AMENDMENTS AND COMMISSION DECISIONS MADE THEREAFTER.

UNLESS OTHERWISE SPECIFIED
DIMENSIONS ARE IN INCHES
TOLERANCES ARE:
ANGLES ±.5°
.XX = ±.010
.XXX = ±.005

DRAWING GENERATED USING SOLIDWORKS

APPROVED	DATE
J. DEMERS	2012-11-09
DRAWN BY:	
S. CISNEROS	2012-11-13
CHECKED BY:	
J. DEMERS	2012-11-14
APPROVED BY:	
J. DEMERS	2012-11-14

TITLE
LID, PB7200 w PHASE MODULATOR

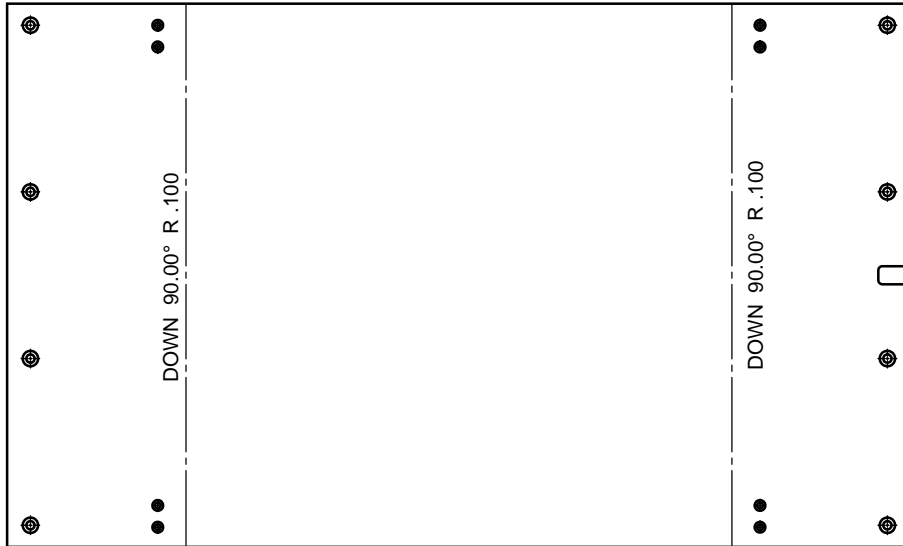
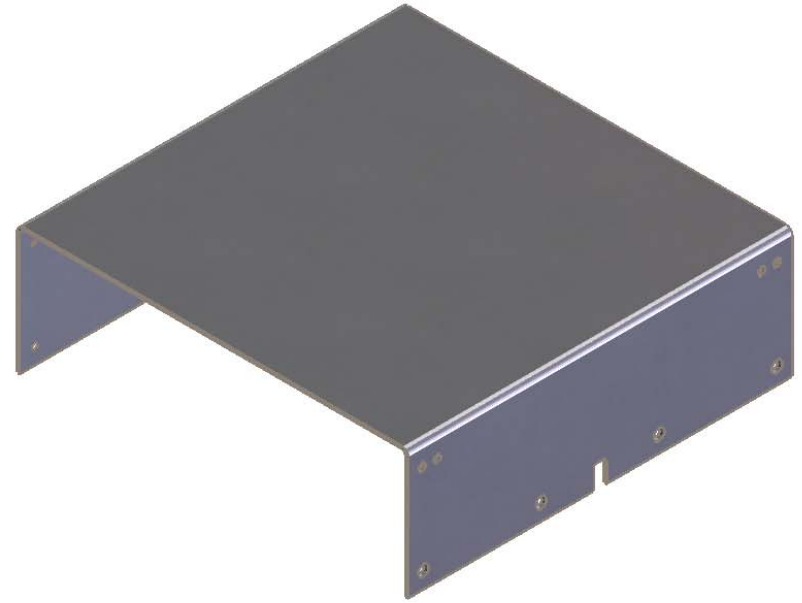
SIZE	SCALE:	DWG NO.	REV
B	NONE	G7826-025-003	1

SHEET 1 OF 2

2

1

REVISIONS			
REV	DESCRIPTION	DATE	APPROVED
	SEE SHEET 1		



TITLE			
LID, PB7200 w PHASE MODULATOR			
SIZE	SCALE:	DWG NO.	REV
B	NONE	G7826-025-003	1
SHEET			2 OF 2

2

1