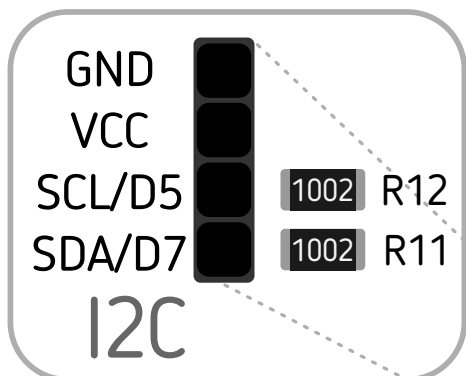
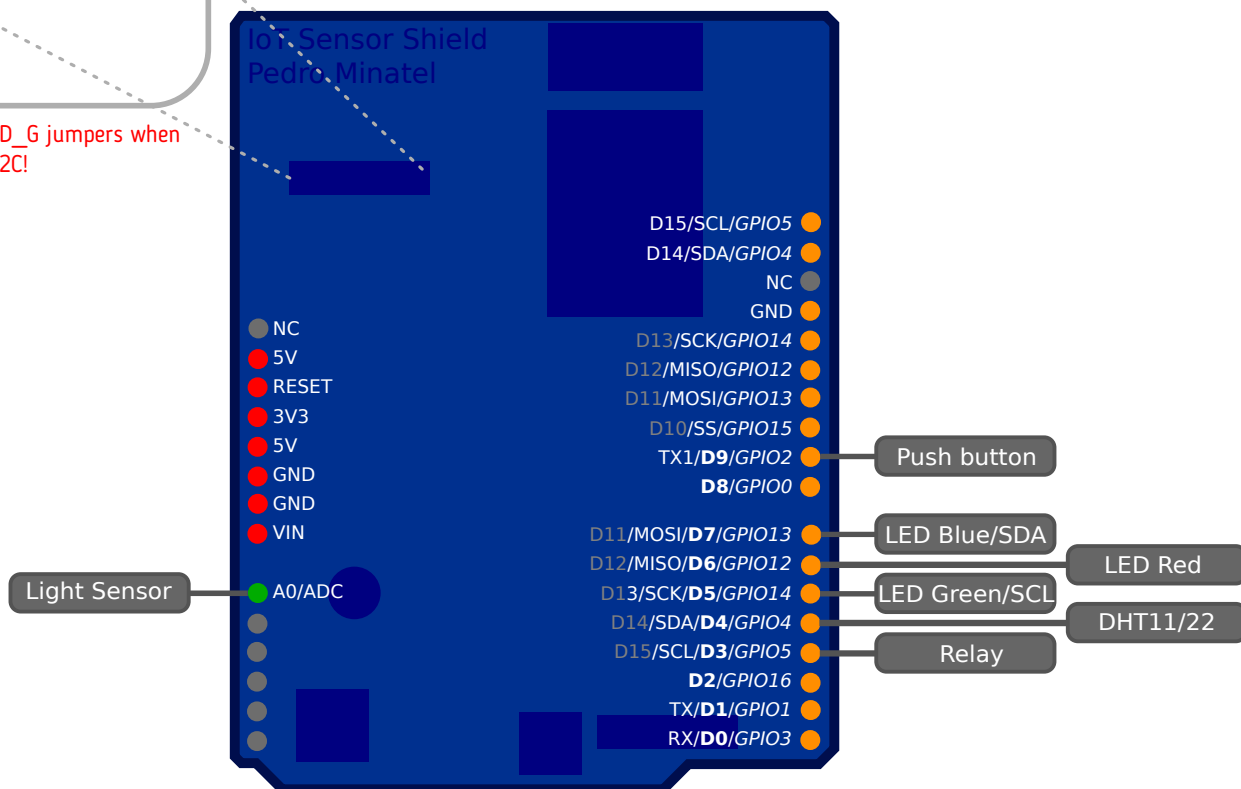


IoT Sensor Shield_{v1.0}

WEMOS D1 COMPATIBLE



Remove LED_B and LED_G jumpers when using I2C!



blink.ino

```
void setup(void) {  
  pinMode(D7, OUTPUT);  
  digitalWrite(D7, LOW);  
}  
  
void loop(void) {  
  digitalWrite(D7, HIGH);  
  delay(1000);  
  digitalWrite(D7, LOW);  
  delay(1000);  
}
```

wifi-station.ino

```
#include <ESP8266WiFi.h>  
  
void setup(void) {  
  WiFi.begin(ssid, password);  
  
  while (WiFi.status() != WL_CONNECTED) {  
    delay(500);  
  }  
}  
  
void loop(void) {  
}
```

References

<http://pedrominatel.com.br>
<http://iotmakers.com.br>
<https://github.com/pedrominatel>
<https://hackaday.io/pedrominatel>
<http://platformio.org>
<http://wemos.cc>
<https://github.com/esp8266/Arduino>
<http://nodemcu.com>