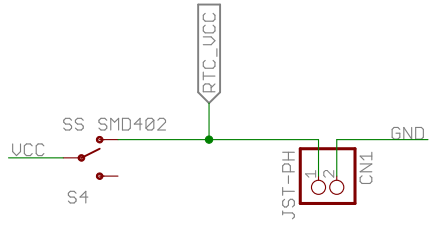
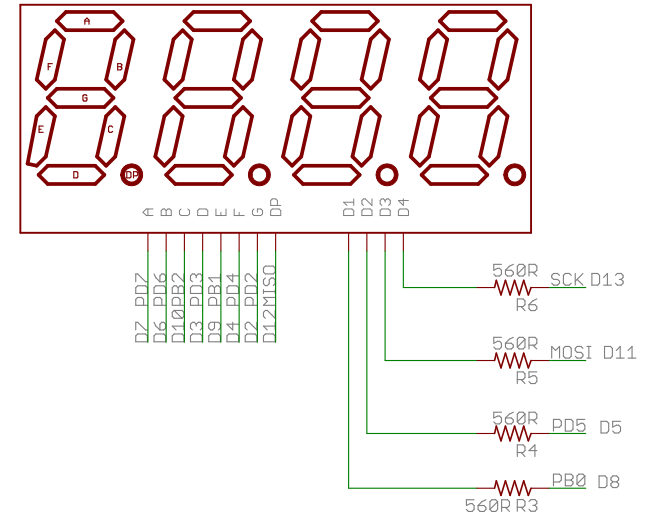


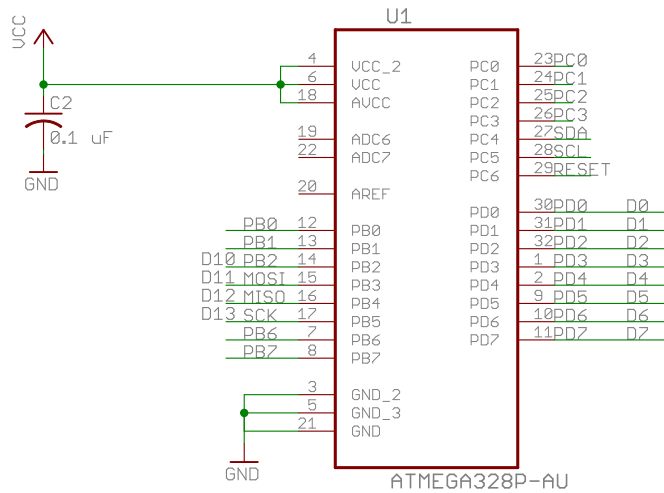
Power



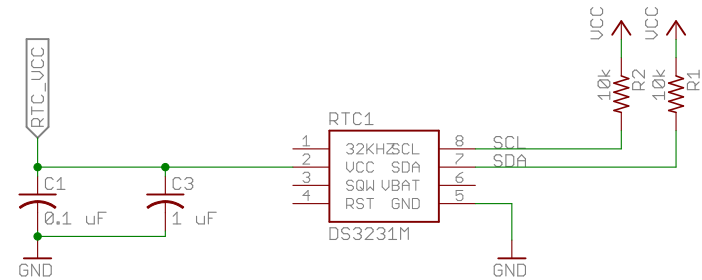
Display



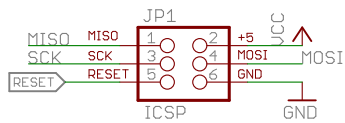
MCU



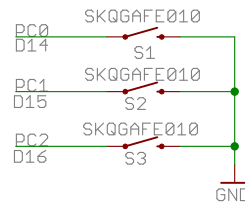
RTC



Serial Programming



User Input



open hardware - R.Riber - 2016

Size: A4	R. R. Engineering		
Engineer:	Rafael Riber	Date:	05.06.16 11:07
Checked:	Rafael Riber	Aproved:	Rafael Riber
Description:	Retro Watch with HP-QDSP6064 Display and ATmega328P MCU		Page: 1/1
Filename:	RetrolWatch	Revision:	1.0