

6

5

4

3

2

1

D

C

B

A

D

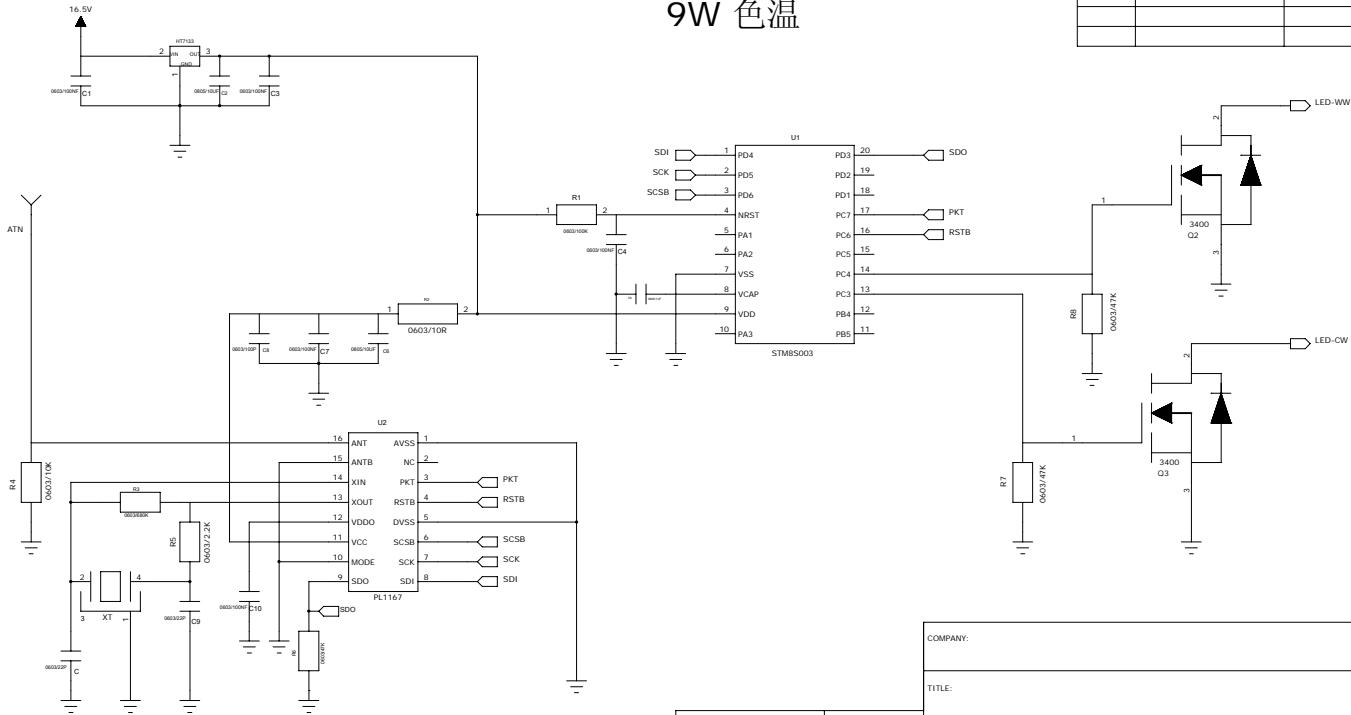
C

B

A

REVISION RECORD			
LTR	ECO NO:	APPROVED:	DATE:

# 9W 色温



COMPANY:

TITLE:

DRAWN:	DATED:
CHECKED:	DATED:
QUALITY CONTROL:	DATED:
RELEASED:	DATED:

CODE:	SIZE:	DRAWING NO:	REV:
<b>B</b>			

SCALE: SHEET: 1 of 1