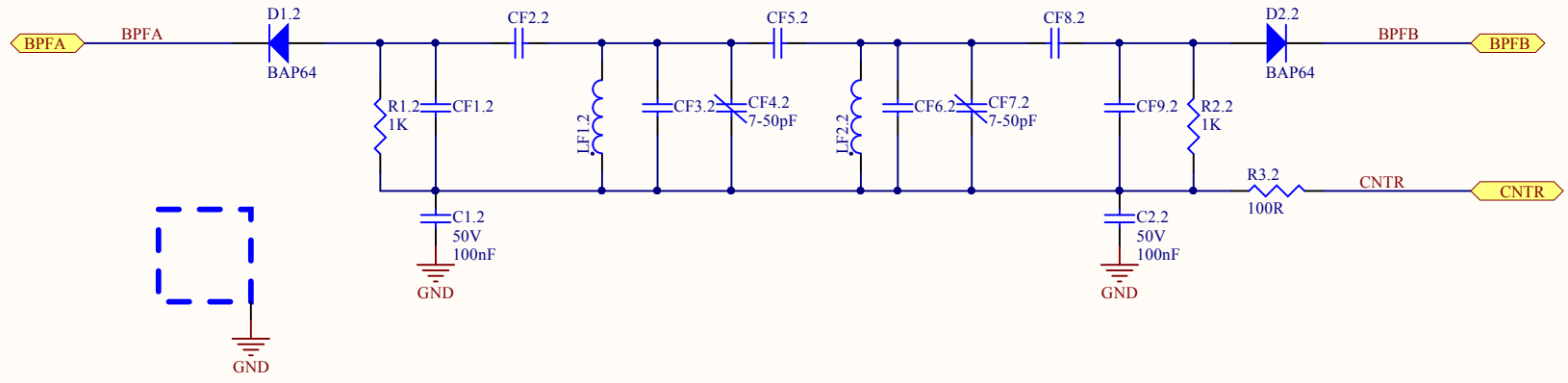
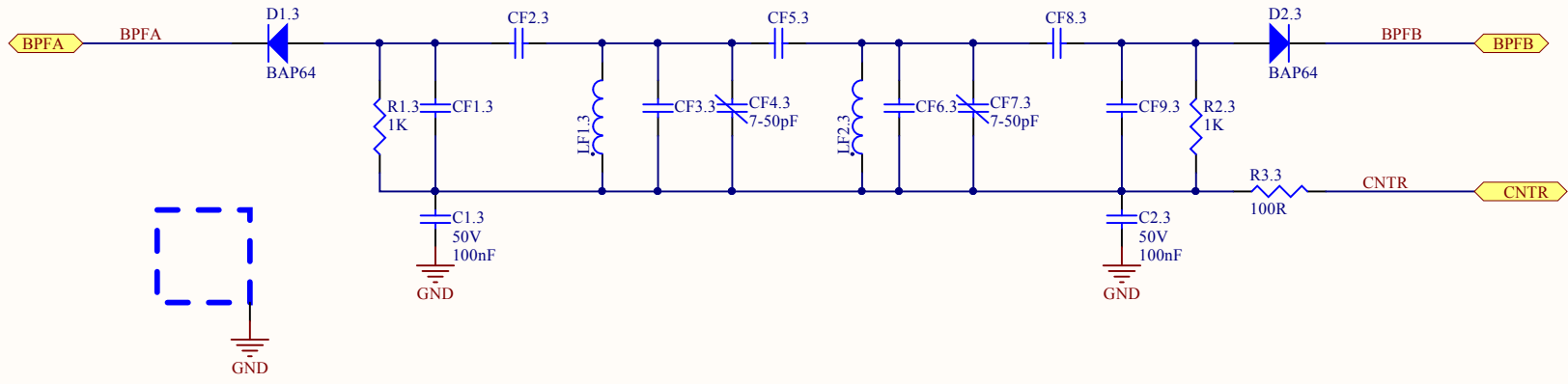


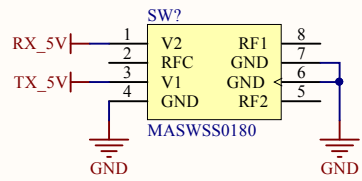
| | | |
|-------|---------------------------------|-----------|
| Title | | |
| Size | Number | Revision |
| A4 | | |
| Date: | 24/04/2016 | Sheet of |
| File: | D:\CODE\Ararinha_PCB\BPF.SchDoc | Drawn By: |



| | | |
|-------|---------------------------------|-----------|
| Title | | |
| Size | Number | Revision |
| A4 | | |
| Date: | 24/04/2016 | Sheet of |
| File: | D:\CODE\Ararinha_PCB\BPF.SchDoc | Drawn By: |



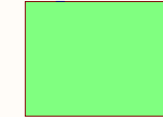
| | | |
|--|-----------|----------|
| Title | | |
| Size A4 | Number | Revision |
| Date: 24/04/2016 | Sheet of | |
| File: D:\CODE\Ararinha_PCB\BPF.SchDoc | Drawn By: | |



IF
IF.SchDoc



BPF_Block
BPF_Block.SchDoc



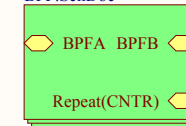
Mixer
Mixer.SchDoc



XtalFilter
XtalFilter.SchDoc



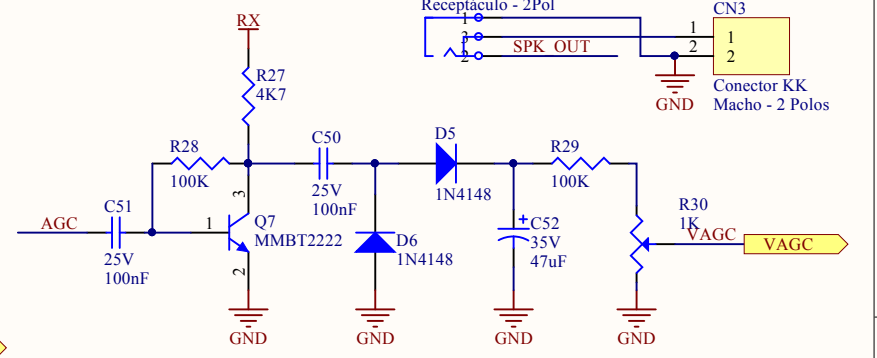
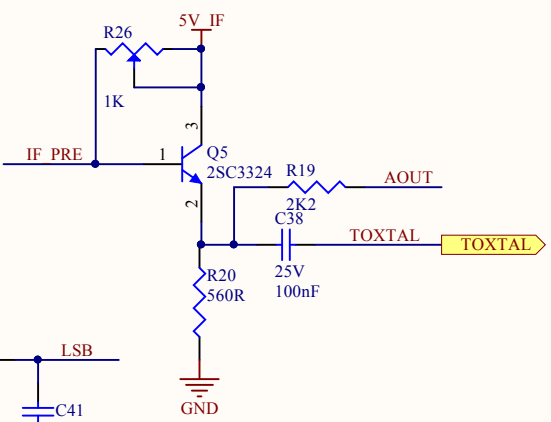
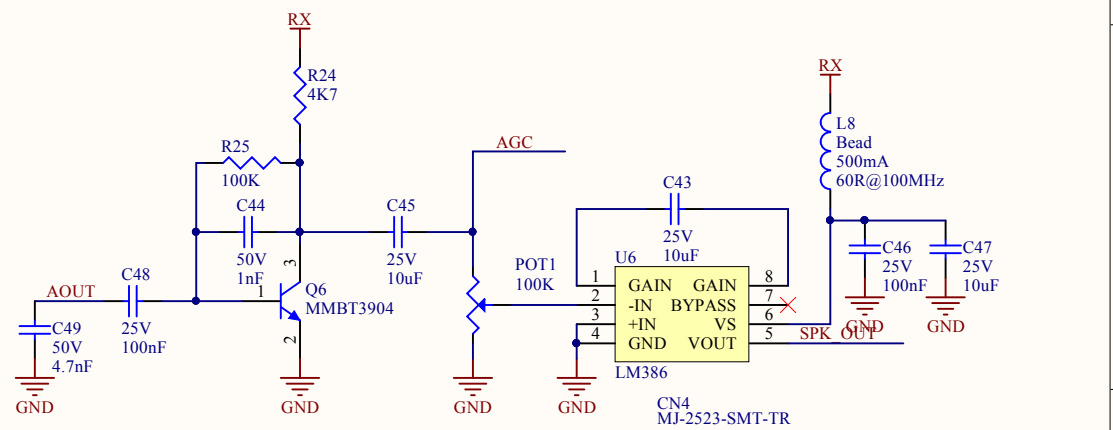
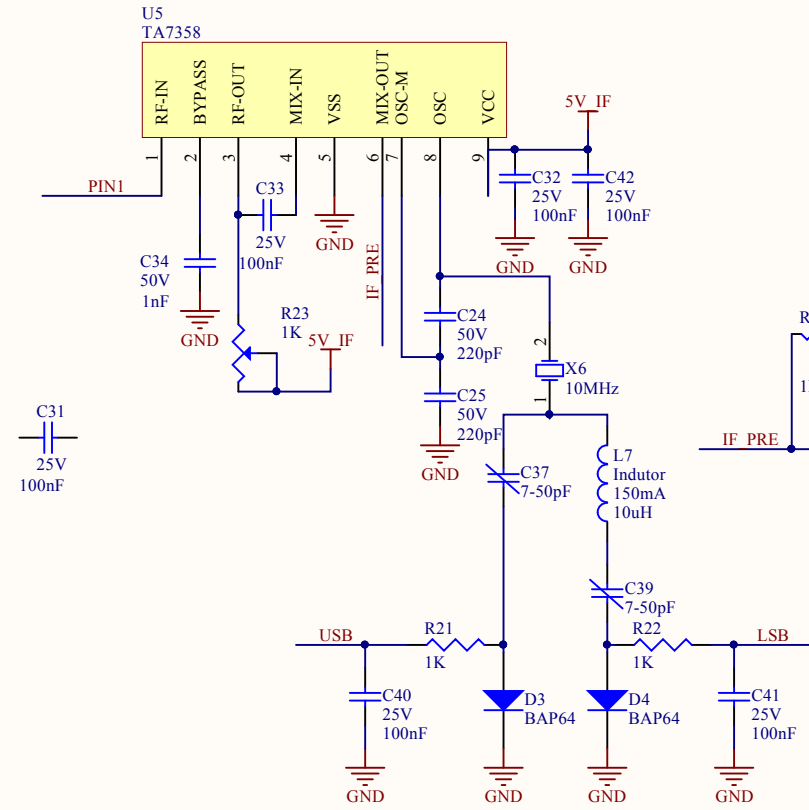
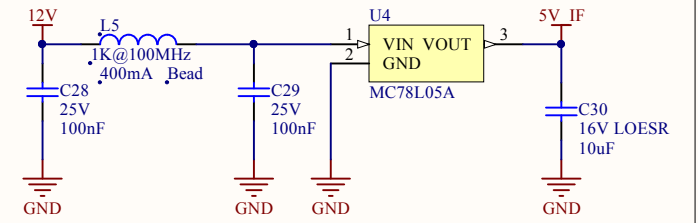
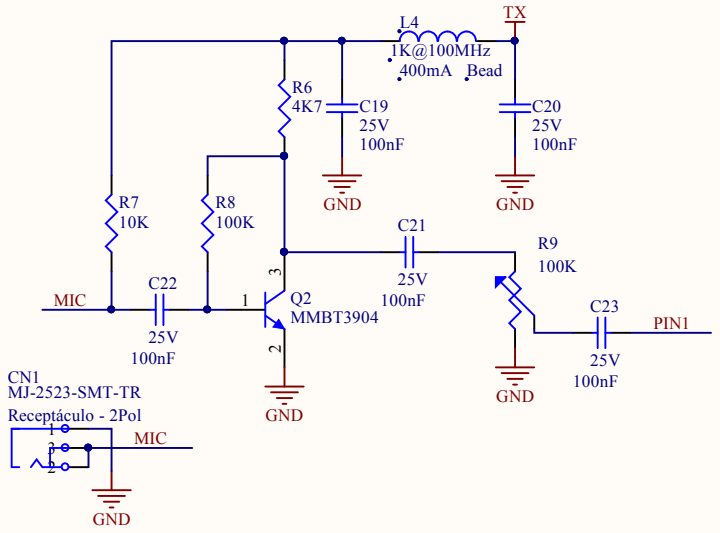
REPEAT(BPF,1,3)
BPF.SchDoc



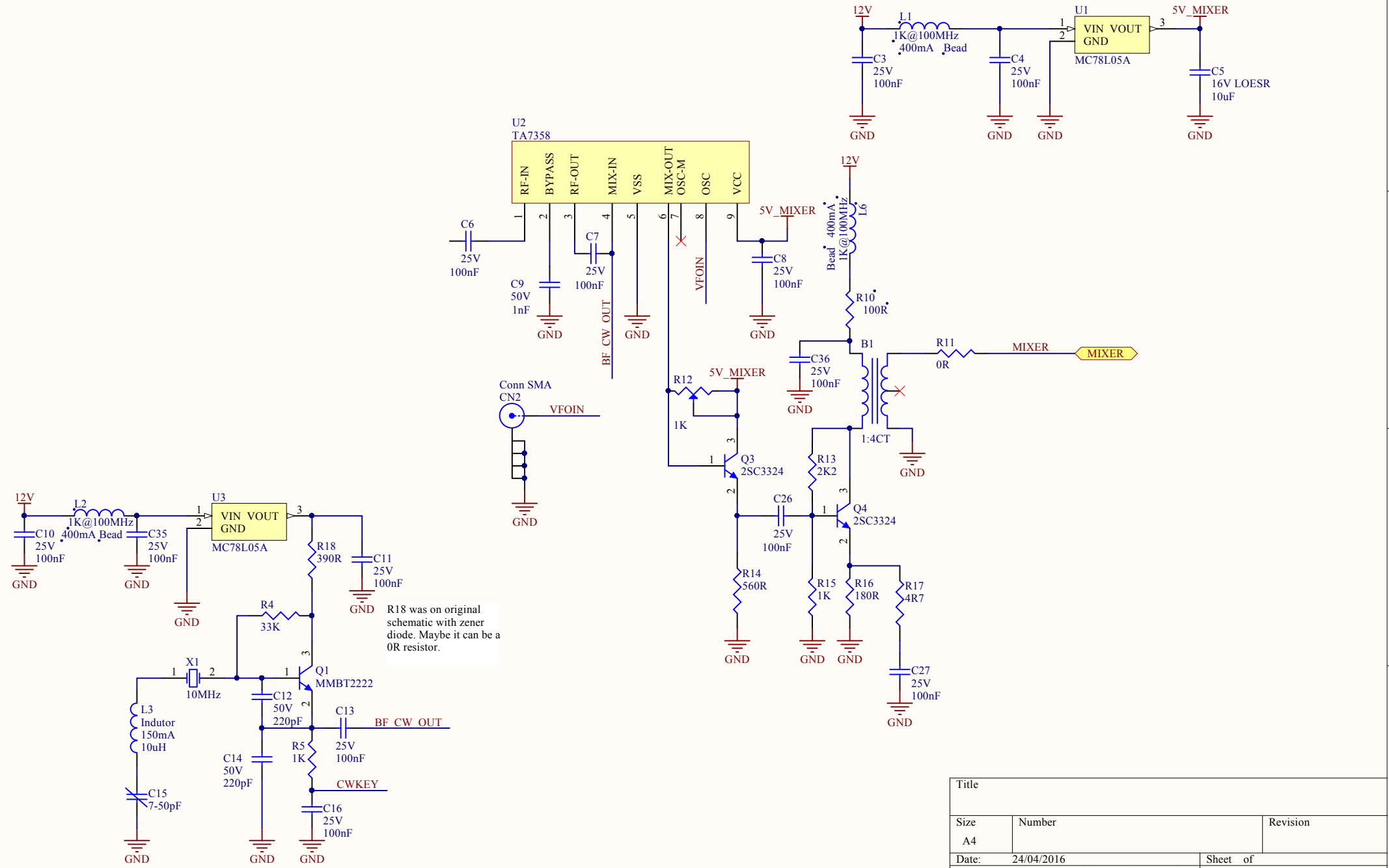
RX_PRE
RX_Pre.SchDoc



| | | |
|-------|-----------------------------------|-----------|
| Title | | |
| Size | Number | Revision |
| A4 | | |
| Date: | 24/04/2016 | Sheet of |
| File: | D:\CODE\Ararinha_PCB\Block.SchDoc | Drawn By: |

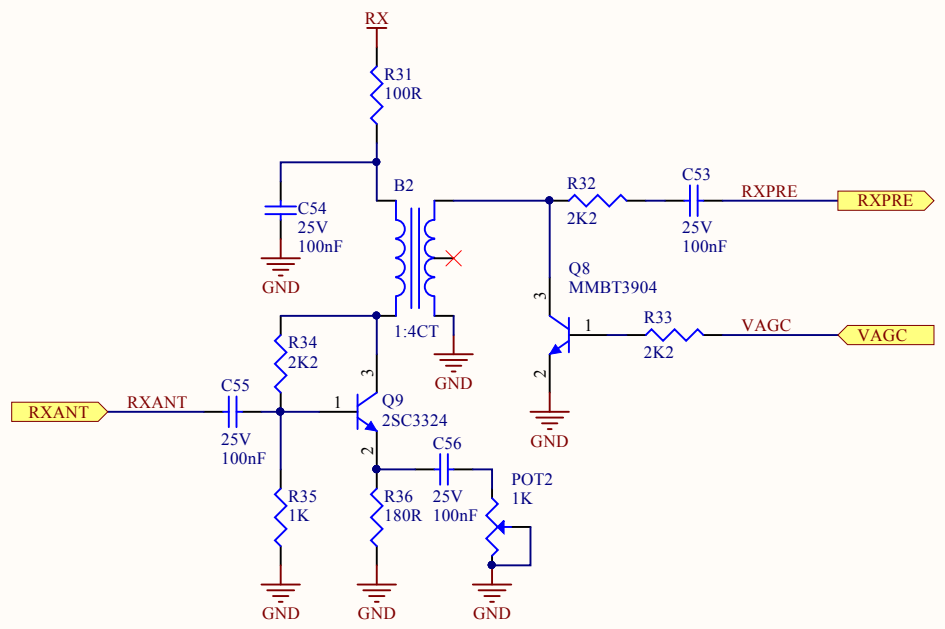


| Title | | |
|-------|--------------------------------|-----------|
| Size | Number | Revision |
| A4 | | |
| Date: | 24/04/2016 | Sheet of |
| File: | D:\CODE\Ararinha_PCB\IF.SchDoc | Drawn By: |

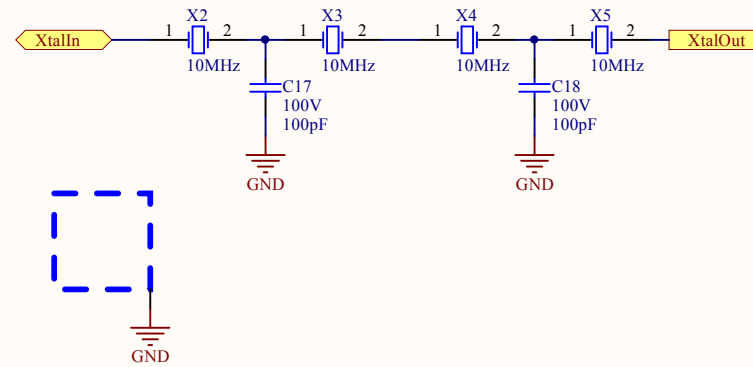


R18 was on original schematic with zener diode. Maybe it can be a 0R resistor.

| | | |
|-------|-----------------------------------|-----------|
| Title | | |
| Size | Number | Revision |
| A4 | | |
| Date: | 24/04/2016 | Sheet of |
| File: | D:\CODE\Ararinha_PCB\Mixer.SchDoc | Drawn By: |



| | | |
|-------|--|----------|
| Title | | |
| Size | Number | Revision |
| A4 | | |
| Date: | 24/04/2016 | Sheet of |
| File: | D:\CODE\Ararinha_PCB\RX_Pre.SchDoc Drawn By: | |



| | | |
|--|-----------|----------|
| Title | | |
| Size A4 | Number | Revision |
| Date: 24/04/2016 | Sheet of | |
| File: D:\CODE\Ararinha_PCB\XtalFilter.SchDoc | Drawn By: | |