

DDS\_Analog  
DDS.sch

WiFi DDS Sinus Generator (0 - 50 MHz)  
featuring ESP8266 and AD9850

(C) J. Boehmer

Sheet: /  
File: WiFunc.sch



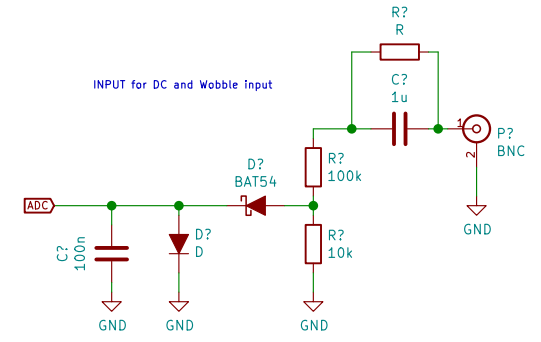
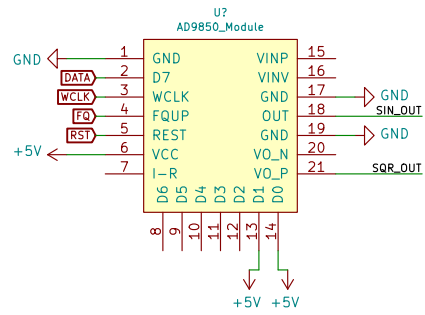
**Title: WiFunc-Generator**

Size: A4 | Date: 2016-07-28

Rev: 0.1

KiCad E.D.A. kicad (2016-07-28 BZR 6996, Git e15ad93)-product

Id: 1/2



(C) J. Boehmer

Sheet: /DDS\_Analog/  
File: DDS.sch



**Title: WiFunc**

Size: A4 Date: 2016-07-28

**Rev: 0.1**

KiCad E.D.A. kicad (2016-07-28 BZR 6996, Git e15ad93)-product

Id: 2/2