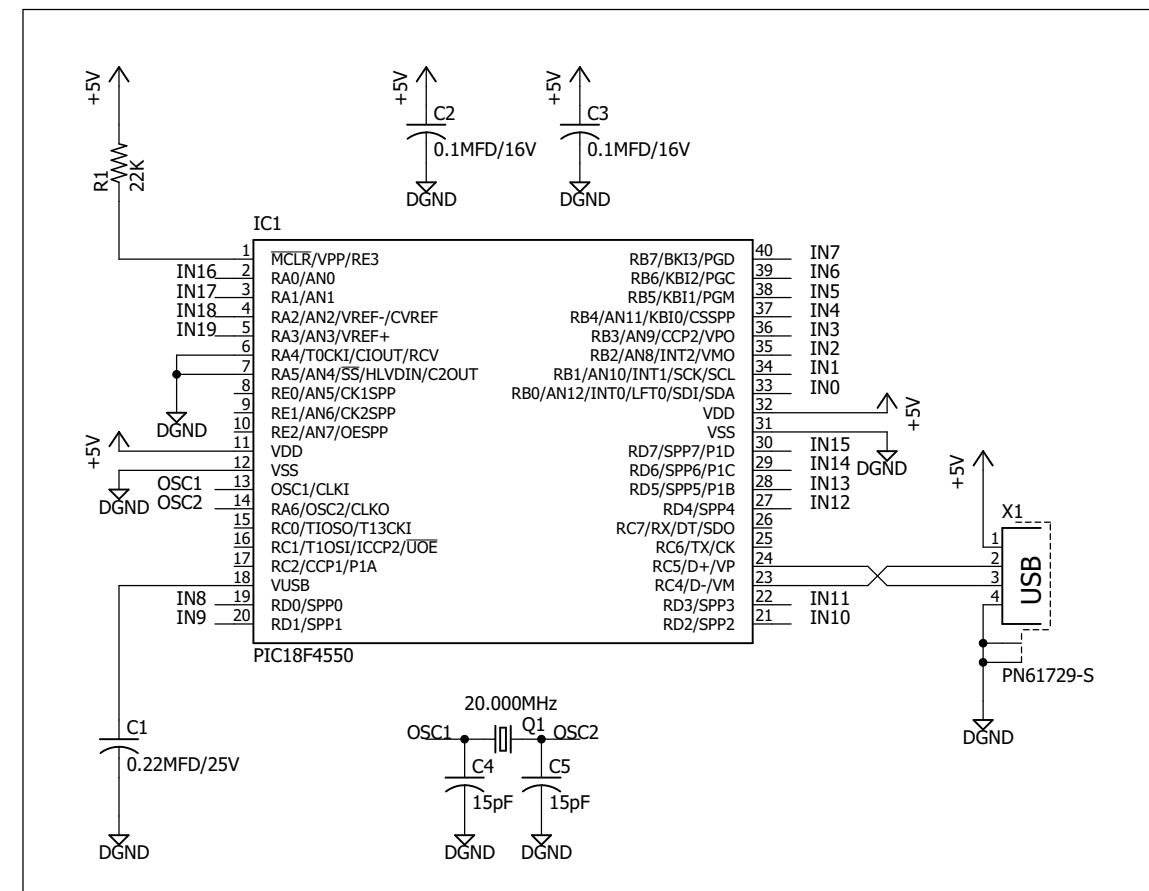
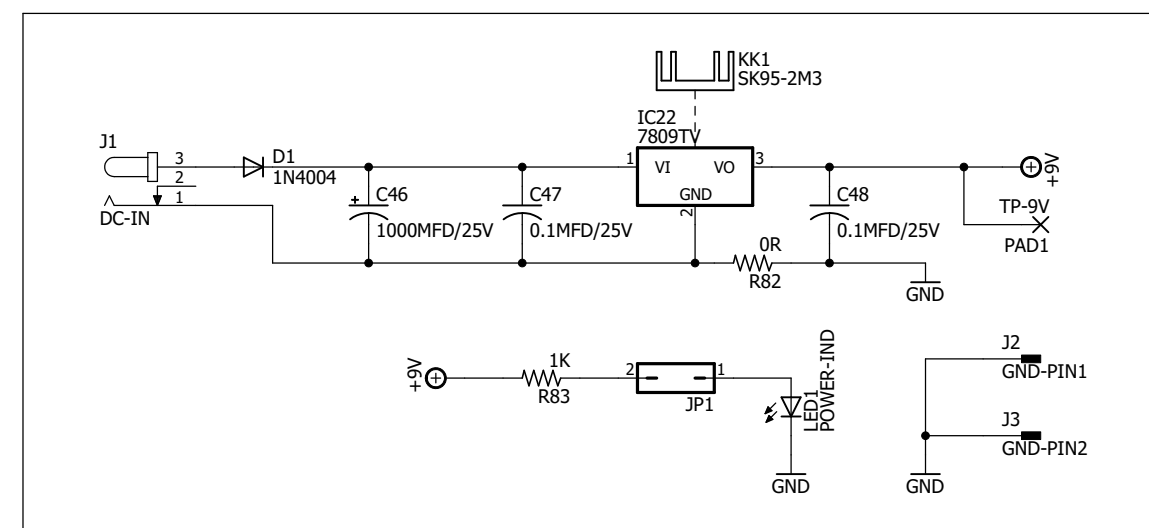


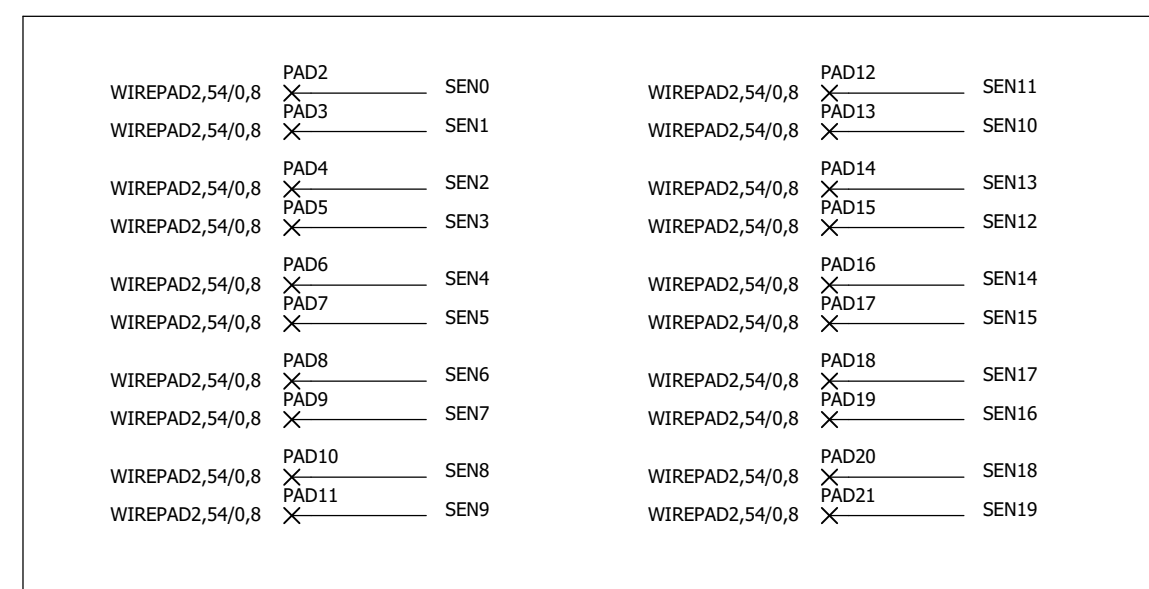
CONTROL-INTERFACE



POWER SUPPLY

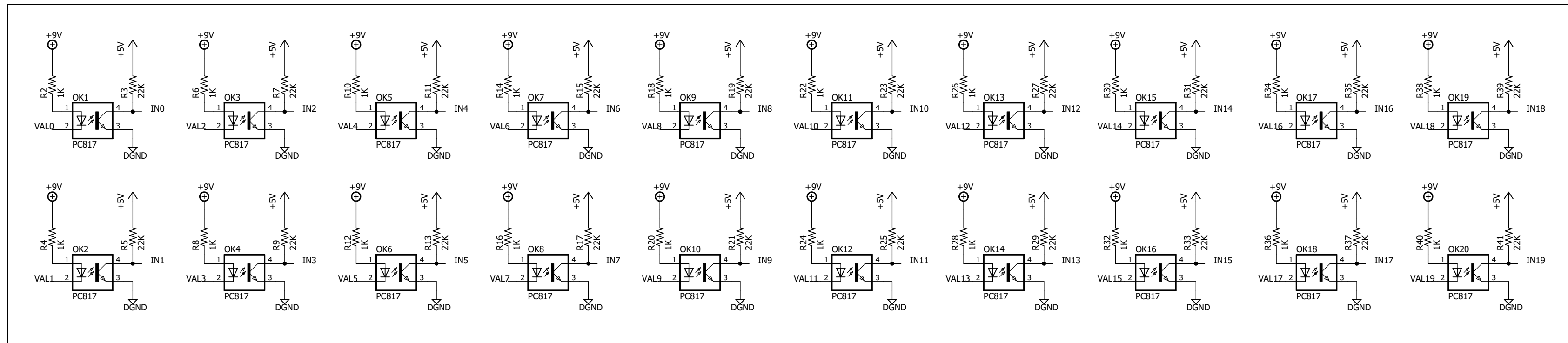


SENSOR TERMINALS



All resistors are 1/4W unless otherwise specified.
 Keep Analog and Digital grounds separately.
 IC22 requires proper heatsink.
 SW1 - SW20 : Trigger point setup switches. Activate only one switch in a group.
 J1 : Use 12V - 15V 1.5A DC Power Supply.

ANALOG LINE ISOLATOR



SENSOR AMPLIFIER AND LEVEL DETECTOR

