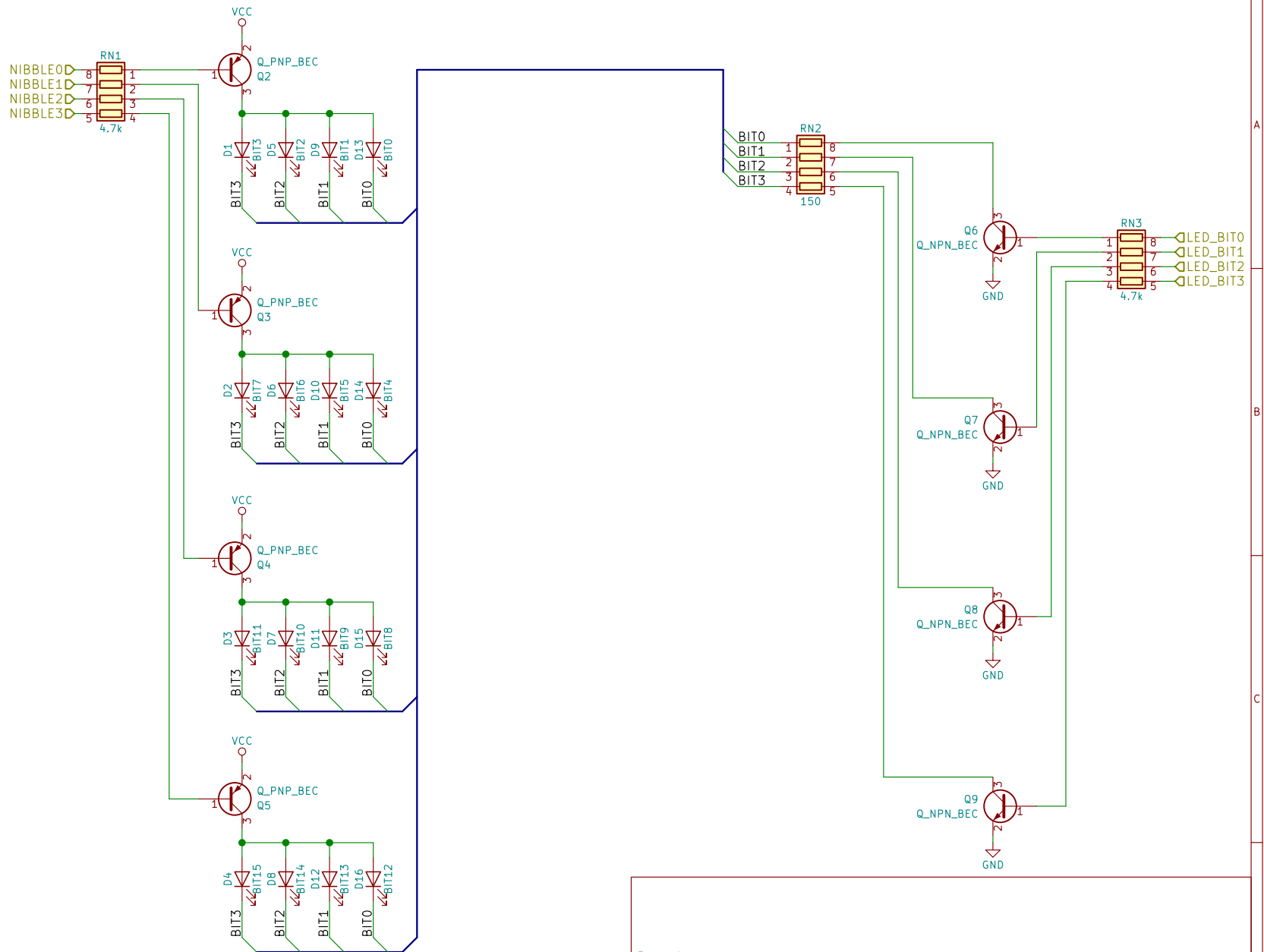


Perry Leumas
 Sheet: /
 File: base_convert.sch
Title: Base Convert
 Size: A Date: 2018-06-20 Rev: A
 KiCad E.D.A. kicad 4.0.7 Id: 1/4



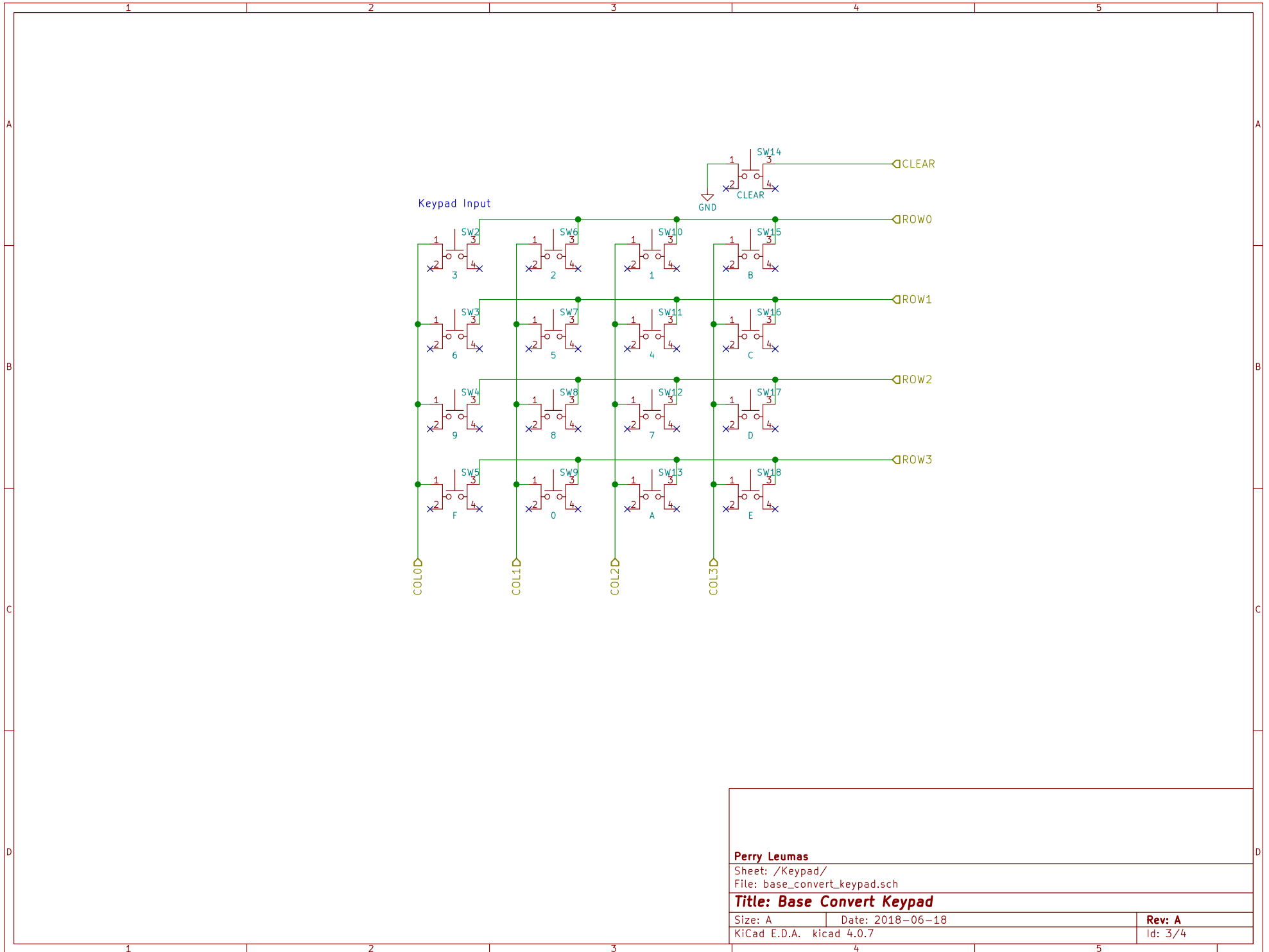
Perry Leumas

Sheet: /Binary Display/
File: base_convert_bin.sch

Title: Base Convert Binary Display

Size: A4 Date: 2018-06-18
KiCad E.D.A. kicad 4.0.7

Rev: A
Id: 2/4



Perry Leumas

Sheet: /Keypad/

File: base_convert_keypad.sch

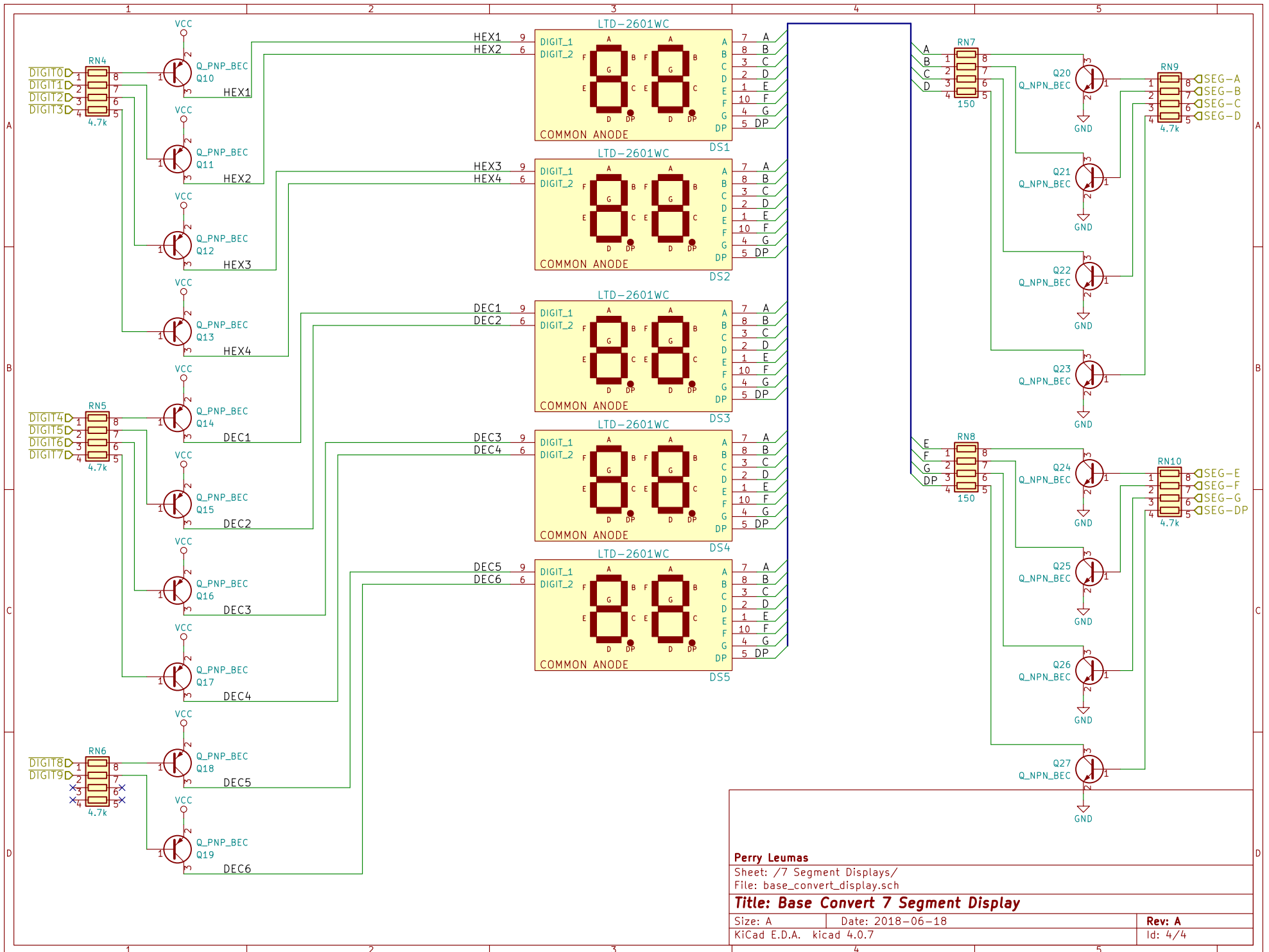
Title: Base Convert Keypad

Size: A Date: 2018-06-18

KiCad E.D.A. kicad 4.0.7

Rev: A

Id: 3/4



Perry Leumas

Sheet: //7 Segment Displays/
File: base_convert_display.sch

Title: Base Convert 7 Segment Display

Size: A Date: 2018-06-18
KiCad E.D.A. kicad 4.0.7

Rev: A
Id: 4/4