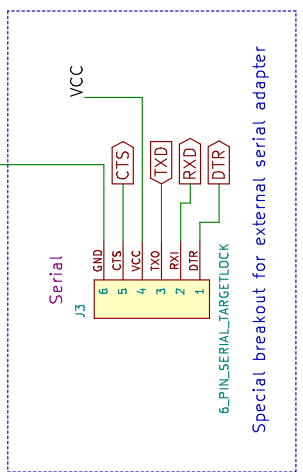


Power indicator LED D1 can be left unpopulated if not desired

Decoupling capacitors C1 and C2 need to be as close as possible to the pins.
In case J2 is bridged, C1 is not needed.

JP1 is normally closed and hence VCC connected to VCC_IO.
Jumper bridge needs to be cut in case another voltage level for IO is supplied.



Special breakout for external serial adapter

Michel Racic
GDG Zürich

Sheet: /
File: NINA-W102_minimal_breakout.sch

Title: ublox NINA-W102 minimal breakout

Size: A4 | Date: 2018-04-18 | Rev: 0.5
KiCad E.D.A. kicad 4.0.7-e2-637660ubuntu17.10.1 | Id: 1/1