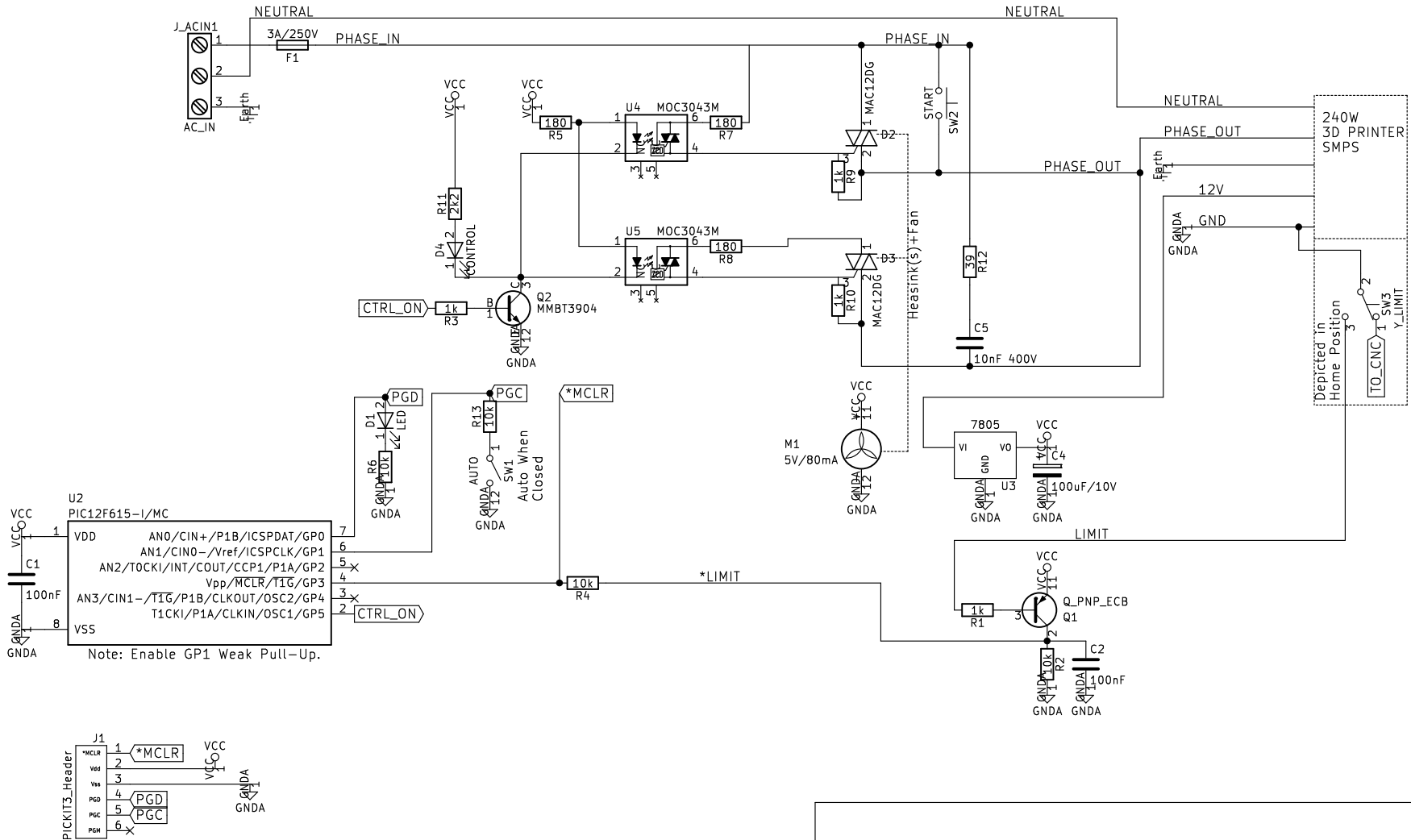


DISCLAIMER:

1. This schematic is provided as a guideline/idea only and should not be produced without consulting an electrical engineer.
2. Some modifications may need to be made in order for this to work on YOUR printer. A qualified engineer should perform these modifications.
3. This schematic is provided free of charge. All liability lies with the end user.



ALUNAR AUTO OFF	
Sheet: /	
File: AlunarAutoOff.sch	
Title: Alunar Auto Off	
Size: USLetter	Date: 2018-05-24
KiCad E.D.A. kicad 4.0.6	Rev: A1
	Id: 1/1