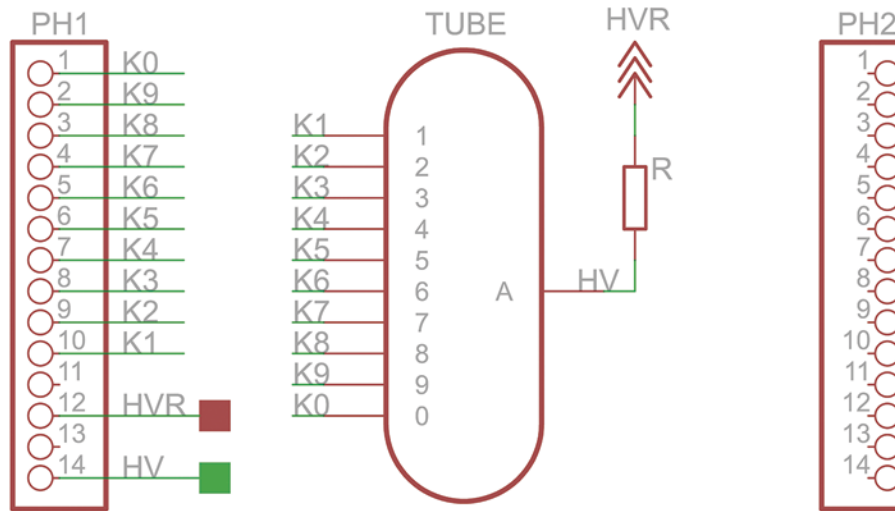


# Nixie Tube Socket Module



- HVR - High Voltage with current limiting resistor
- HV - High Voltage without current limiting resistor  
Only for use with Nixie Tube Tester

TUBE SOCKET

For use with dedicated Nixie Tubes

**Warning! High Voltage 170V!**  
 Use caution and common sense  
 Risk of electric shock!  
 Do not touch while power is being supplied  
 or immediately after power is turned OFF

Nixie Tube Socket Module

Design by: Marcin Saj

[www.NixieTester.com](http://www.NixieTester.com)

Sheet: 1/1

No.1