

- MK1 Mounting_Hole
- MK2 Mounting_Hole
- MK3 Mounting_Hole
- MK4 Mounting_Hole

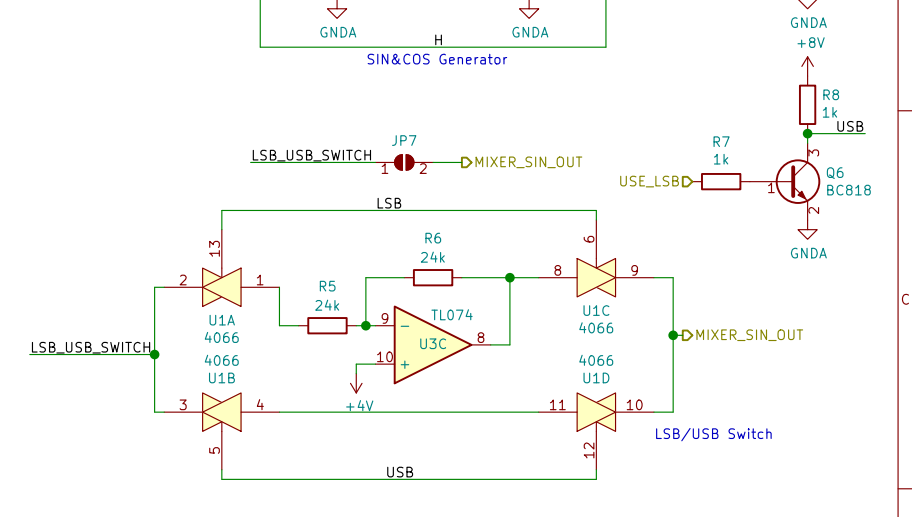
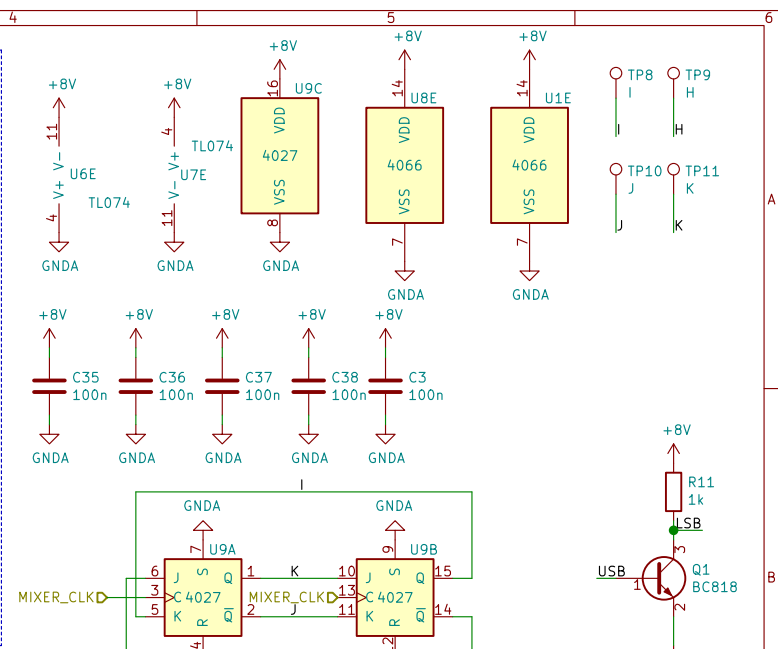
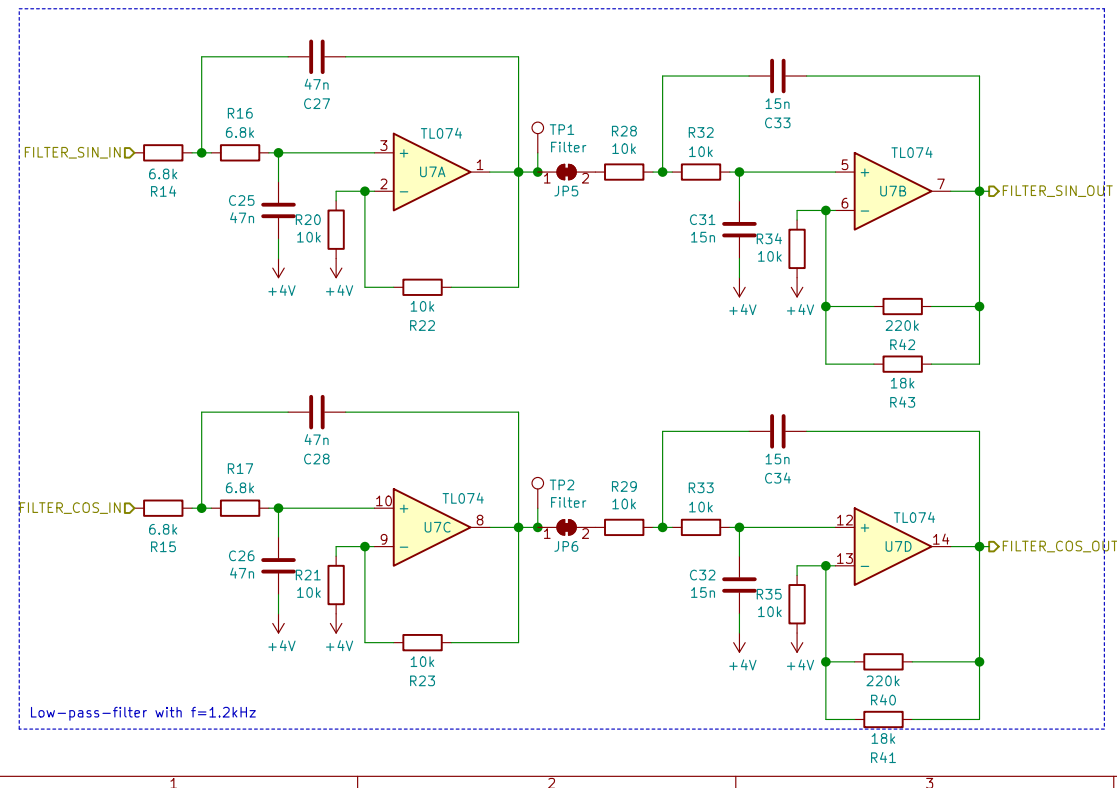
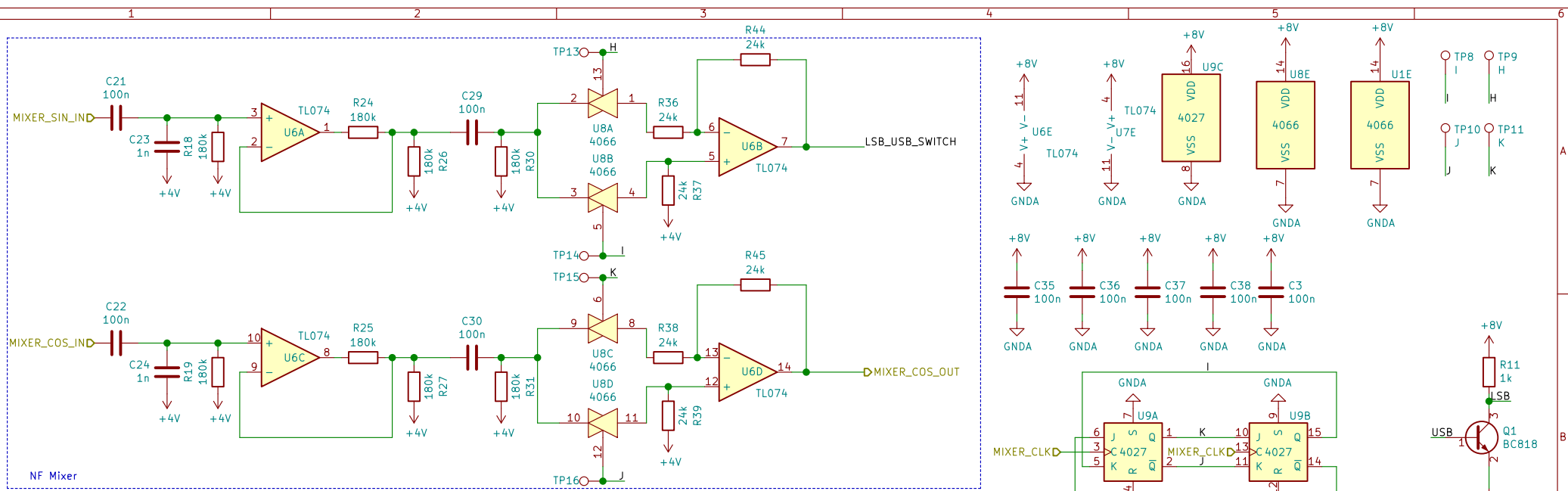
(C) J. Böhmer D09JHB

Sheet: /

File: FiltersAndMixers.sch

Title: TRXW: NF Analog Board

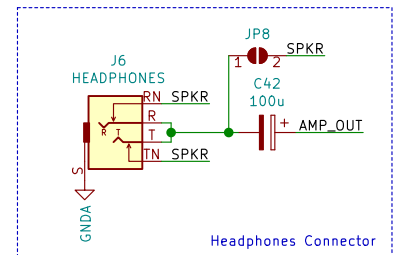
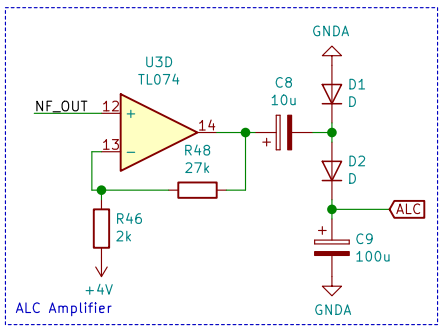
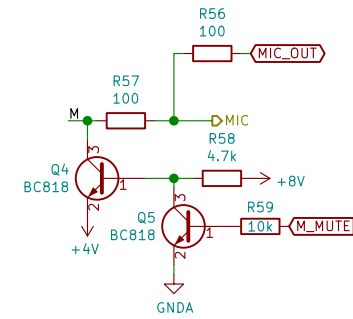
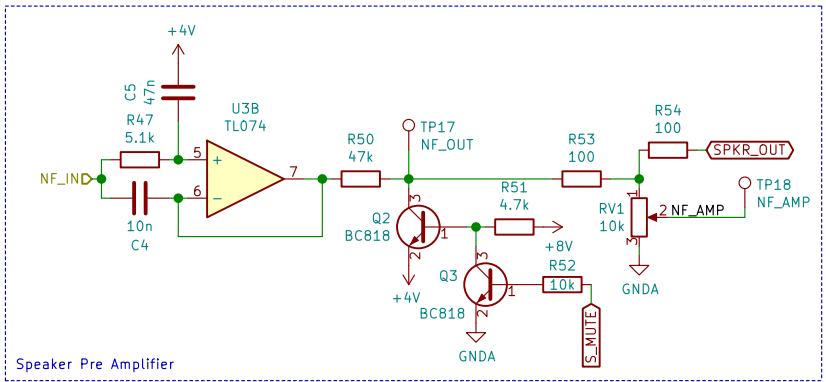
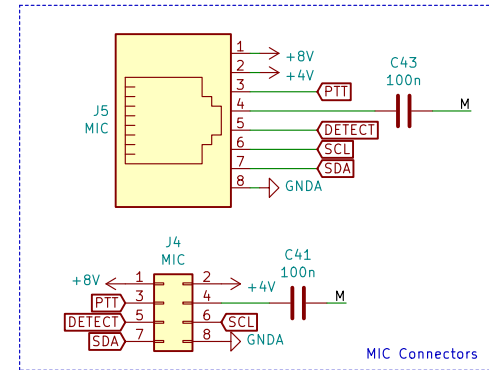
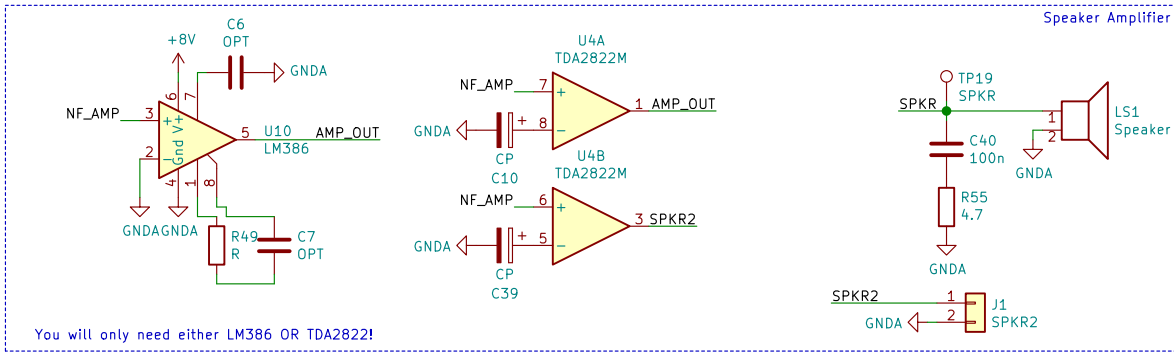
Size: A4	Date: 2018-06-05	Rev: 1.0
KiCad E.D.A. eeschema (5.0.0-rc2-160-g7b7355772)		Id: 1/3



(C) J. Böhmer D09JHB
 Sheet: /Filters/
 File: Filters.sch

Title: TRXW: NF Analog Board – Filters and Mixer

Size: A4	Date: 2018-06-01	Rev: 1.0
KiCad E.D.A. eeschema (5.0.0-rc2-160-g7b7355772)		Id: 2/3



(C) J. Böhmer D09JHB
 Sheet: /Audio/
 File: Audio.sch
Title: TRXW – Speaker and Microphone
 Size: A4 | Date: 2018-06-10 | Rev: 1.0
 KiCad E.D.A. eeschema (5.0.0-rc2-160-g7b735572) | Id: 3/3