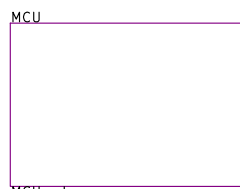


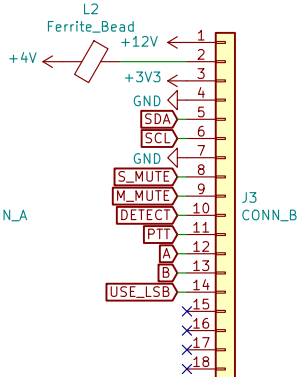
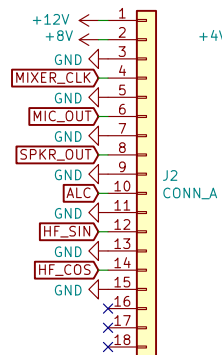
Only needed if 7473 is used,
or any other 5V source is needed



Analog.sch



MCU.sch



- MK1 Mounting_Hole
- MK2 Mounting_Hole
- MK3 Mounting_Hole
- MK4 Mounting_Hole

(C) J. Böhmer D09JHB

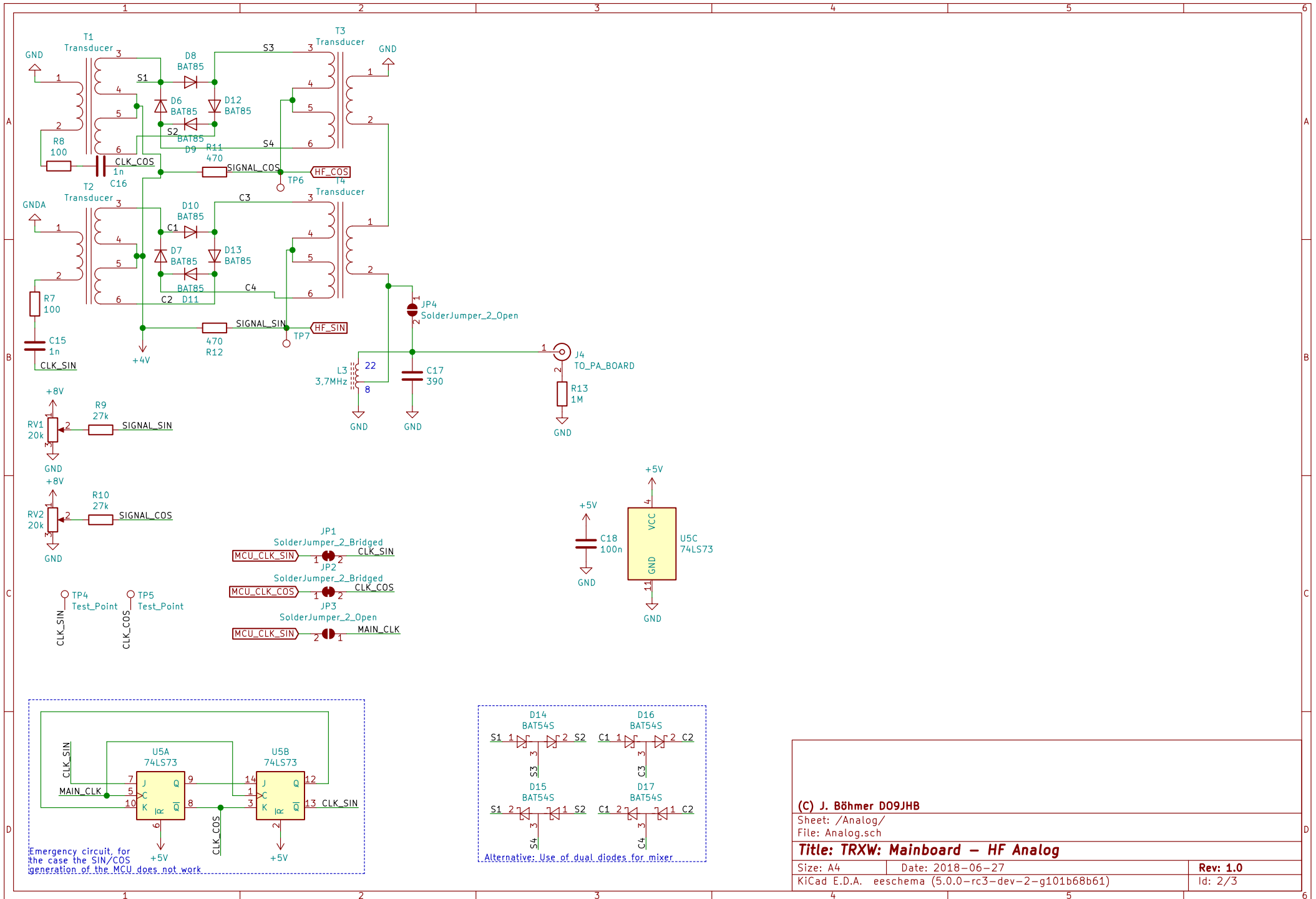
Sheet: /
File: Mainboard.sch

Title: TRXW: Mainboard – Supplies and PCB Connector

Size: A4 Date: 2018-06-27 Rev: 1.0

KiCad E.D.A. eeschema (5.0.0-rc3-dev-2-g101b68b61)

Id: 1/3



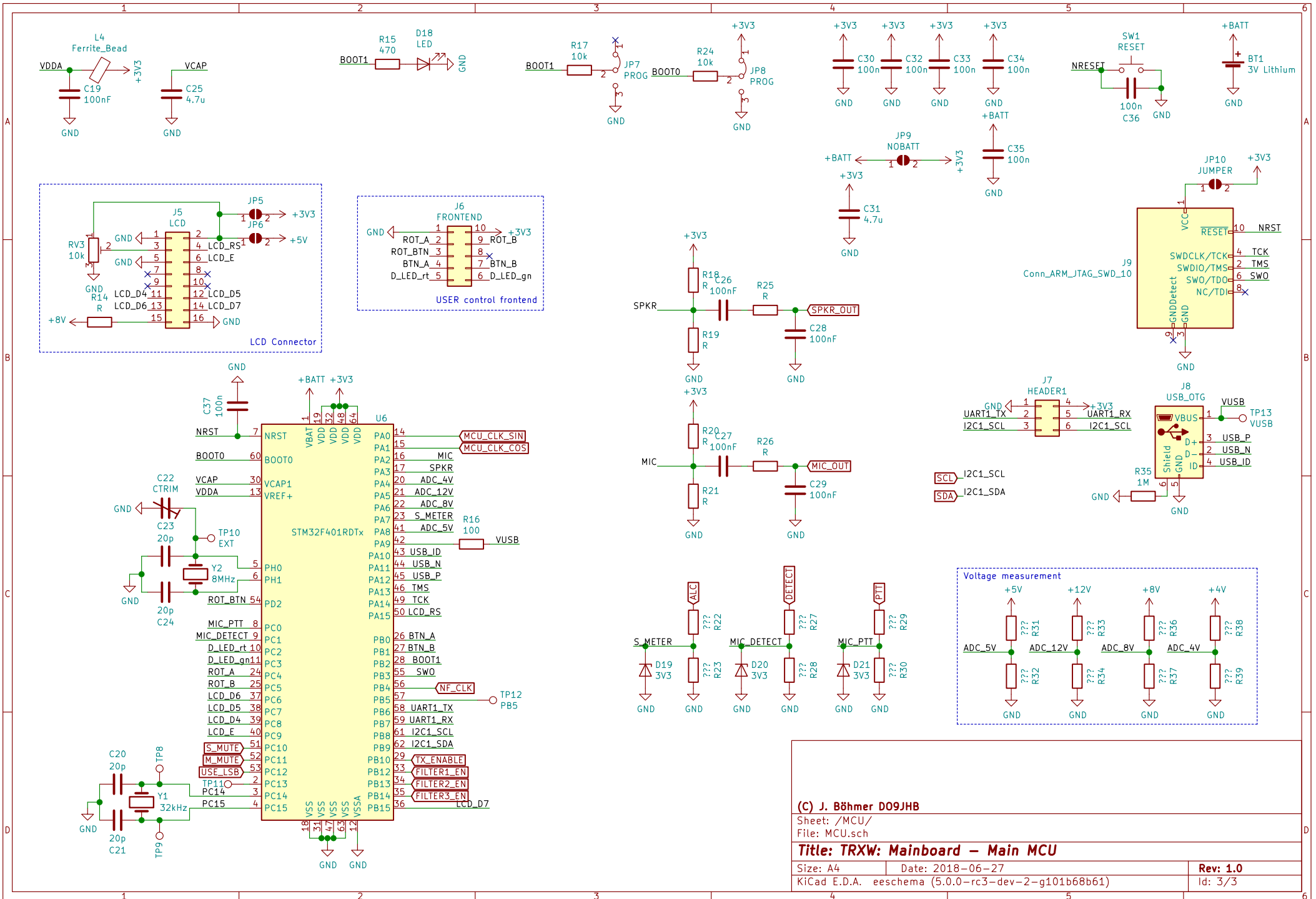
(C) J. Böhmer D09JHB

Sheet: /Analog/
File: Analog.sch

Title: TRXW: Mainboard – HF Analog

Size: A4 Date: 2018-06-27
KiCad E.D.A. eeschema (5.0.0-rc3-dev-2-g101b68b61)

Rev: 1.0
Id: 2/3



(C) J. Böhmer DO9JHB	
Sheet: /MCU/	
File: MCU.sch	
Title: TRXW: Mainboard – Main MCU	
Size: A4	Date: 2018-06-27
KiCad E.D.A. eeschema (5.0.0-rc3-dev-2-g101b68b61)	Rev: 1.0
	Id: 3/3