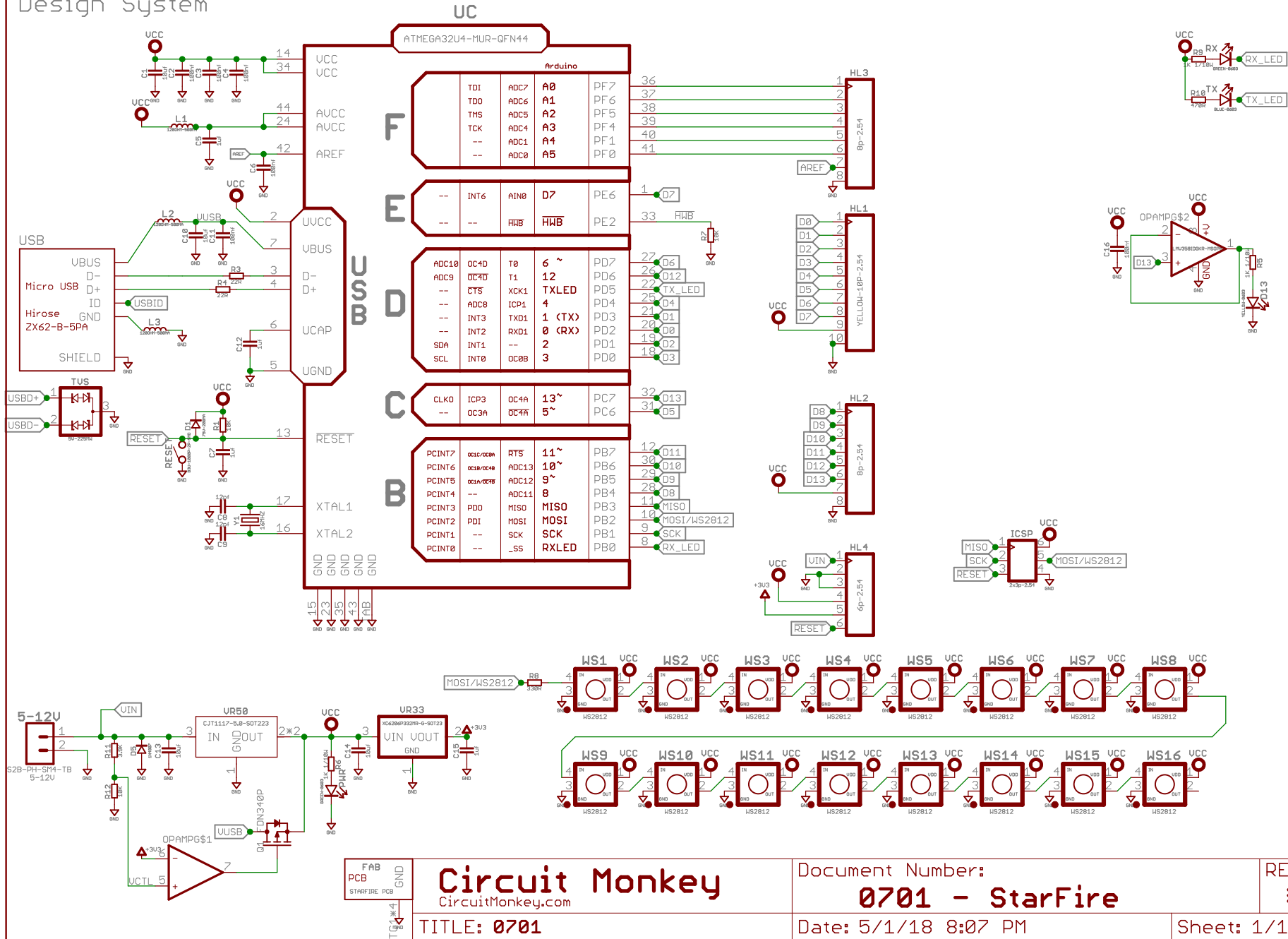


# Solaris Design System



**Circuit Monkey**  
CircuitMonkey.com

Document Number:  
**0701 - StarFire**

REV:  
**\***

TITLE: **0701**

Date: 5/1/18 8:07 PM

Sheet: 1/1