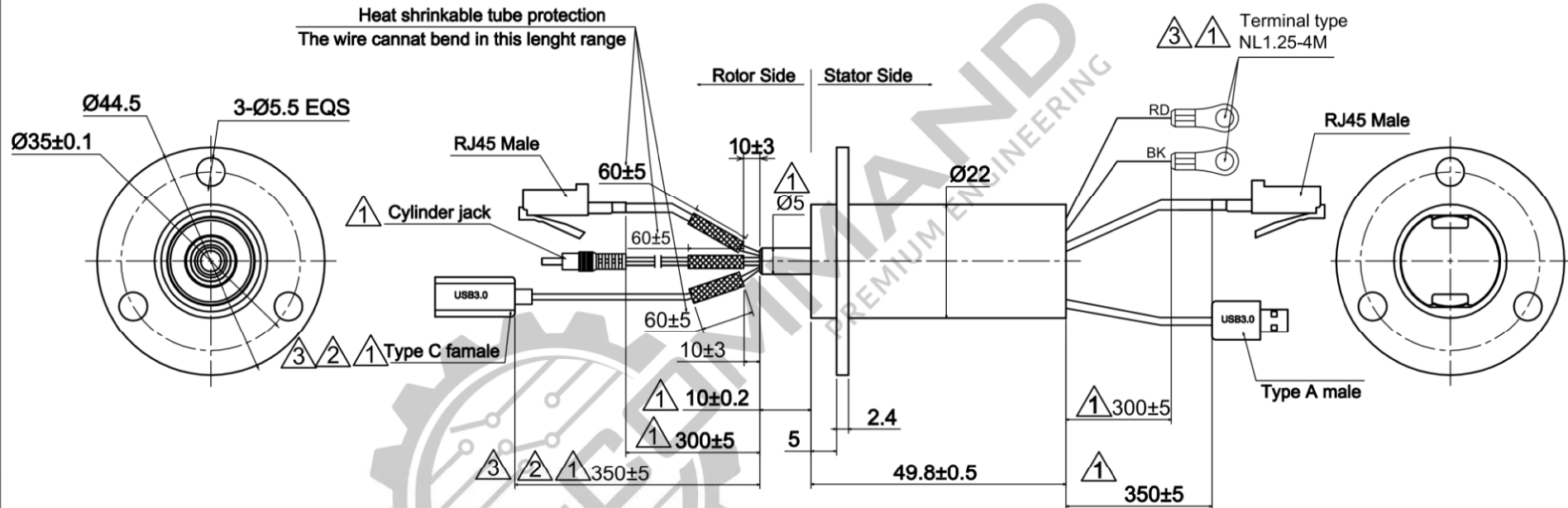


MARK	CONTENT OF AMENDMENT	DATE	DRAW
①	Change size and line length, And change the USB3.0 connector. Adding connectors for power cables	2022.03.01	ZWL
②	1. Change the USB3.0-C connector. 2. Change the line length.	2022.03.23	ZWL
③	1. the USB male end of the rotor is changed to female, And change the line length 2. The USB male of the stator end is changed to a wiring terminal	2022.04.01	ZWL

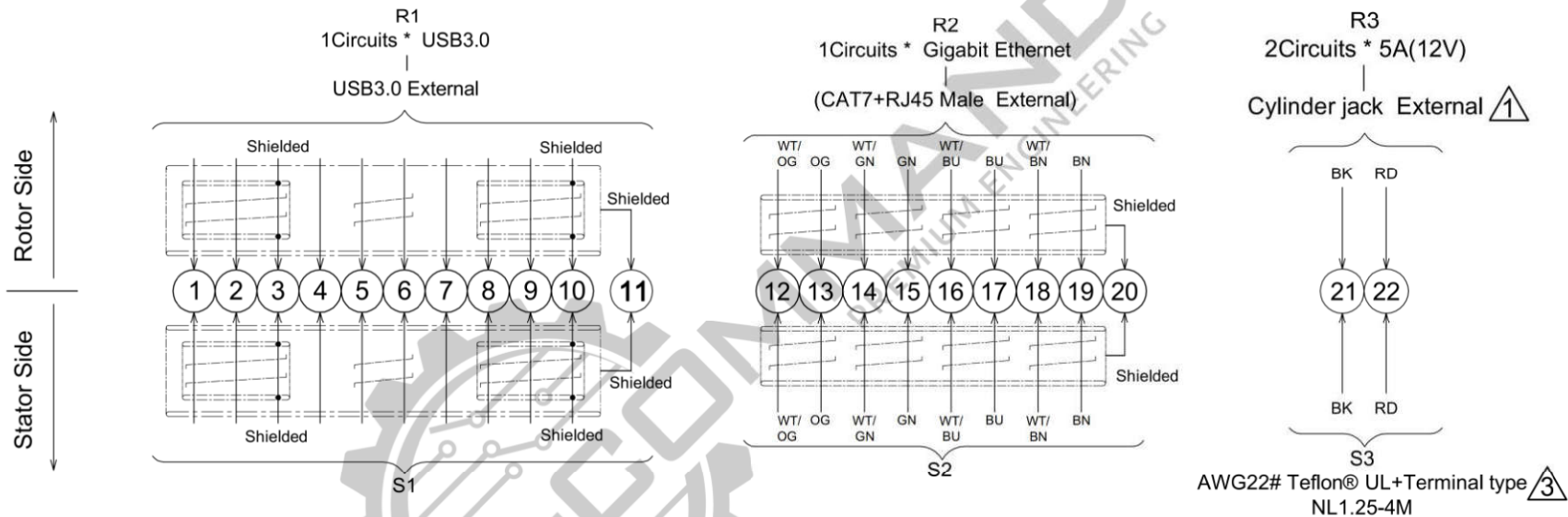
This document is the property of B-COMMAND GmbH. (Hereafter "B-COMMAND"). It is lent an is to be returned upon request. The contents of this document are confidential and constitute trade secrets of proprietary to B-COMMAND. This document nor its contents shall be disclosed to any unauthorized person copied or published without B-COMMAND prior written consent.



MODEL	RX-ETH001-QS1-02000C04					
Customer code				TITLE	Outline Drawing	
UNIT	mm	TOL UNLESS SPECIFIED	DESIGN	ZWL	DATE	2022.04.01
SCALE	1:1	LINEAR 0-18 ±0.1 >18-80 ±0.15 >80-250 ±0.2	CHECKED	HZ	DATE	2022.04.01
PROJ.		ANGLE x° ±0.5°	REV.	A3	PAGE	1/2

MARK	CONTENT OF AMENDMENT	DATE	DRAW
①	Change size and line length, And change the USB3.0 connector. Adding connectors for power cables	2022.03.01	ZWL
②	1. Change the USB3.0-C connector. 2. Change the line length.	2022.03.23	ZWL
③	1. the USB male end of the rotor is changed to female, And change the line length 2. The USB male of the stator end is changed to a wiring terminal	2022.04.01	ZWL

This document is the property of B-COMMAND GmbH. (Hereafter "B-COMMAND"). It is lent an is to be returned upon request. The contents of this document are confidential and constitute trade secrets of proprietary to B-COMMAND. This document nor its contents shall be disclosed to any unauthorized person copied or published without B-COMMAND prior written consent.



Electronic & Electric		Mechanical		
Circuits	Total	22CKT	Working Speed	0~30rpm
	Detail	1Circuits * Gigabit Ethernet/1Circuits * USB3.0/2Circuits * 5A	Contact Material	Gold to Gold
Rating Voltage	12V AC/DC	Housing Material	Engineering plastics	
Dielectric Strength	≥200VAC@50Hz(P) ≥100VAC@50Hz(S)	Lead Wire Length	③②① Stator: 350±5mm/300±5mm Rotor: 300±5mm/350±5mm	
Insulation Resistance	≥500MQ@200VDC(P) ≥10MQ@100VDC(S)	Dynamic Resistance Fluctuation Value	≤35mΩ	
Environment		Remarks		
Working Temperature	-20°C~+60°C	Application	/	
Working Humidity	≤60%RH	Service Life	Typ.5 million revolutions(at room temperature) depending on speed,environmental conditions and size.	
IP	IP40	Note: "P" stands for power, "S" stands for signal.		



MODEL		RX-ETH001-QS1-02000C04				
Customer code		TITLE	Wiring Diagram			
UNIT	mm	TOL UNLESS SPECIFIED	DESIGN	ZWL	DATE	2022.04.01
SCALE	1:1	LINEAR 0-18 ±0.1 >18-80 ±0.15 >80-250 ±0.2	CHECKED	HZ	DATE	2022.04.01
PROJ.		ANGLE x° ±0.5°	REV.	A3	PAGE	2/2