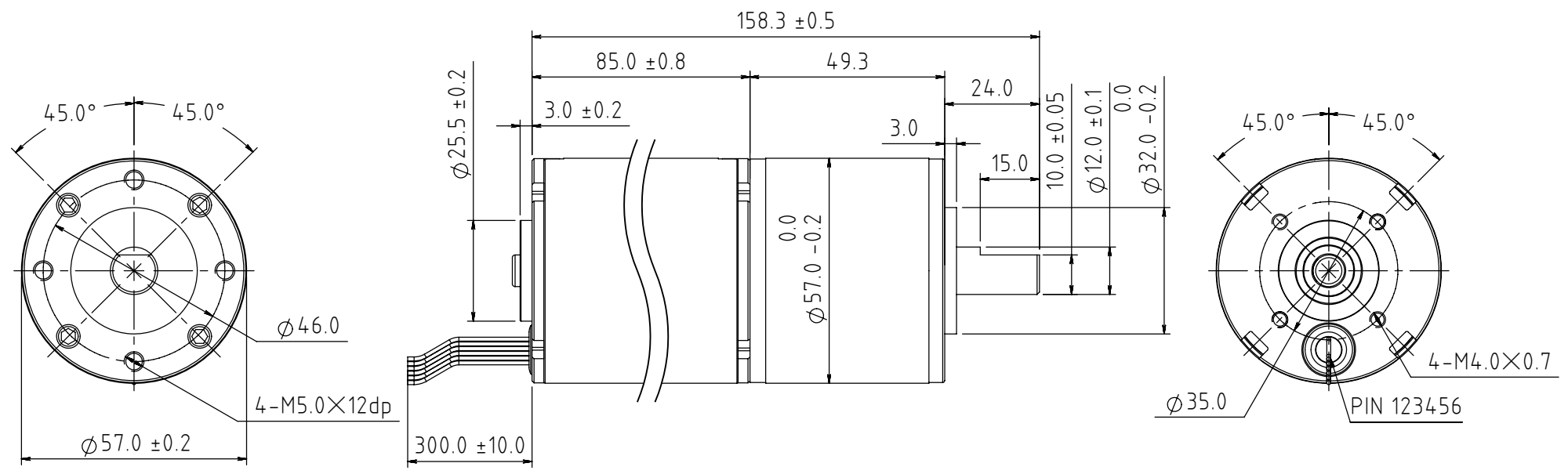
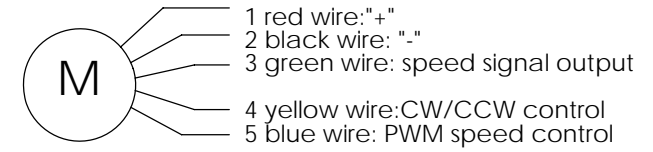


注：如需在轴上压入零件，必须要用轴定位  
 Note: If pressing part to shaft, it must position on shaft



cRemarks:

1. Operating voltage range: 8-26.4V DC, rated voltage: 24VDC
2. Measuring method for motor output shaft extension; push the rotor against the end cap to measure the shaft extension.
3. Cable connection method
  - 3.1 When the red wire is connected to the positive pole of the power supply "+", and the black wire connected to the negative pole of the power supply "-", the motor's rotation direction is CCW, viewed from the output shaft side.
  - 3.2 When the red wire is connected to the positive pole of the power supply "+", and the black and yellow wire connected to the negative pole of the power supply "-", the motor's rotation direction is CW, viewed from the long output shaft side.
  - 3.3 When the blue wire is connected to "-", the motor runs at full-speed. When the blue wire is connected to the PWM signal, the motor speed can be adjusted.
  - 3.4 The cable connection method of the motor must comply with the above instructions. Reverse connection of the positive and negative of the power is strictly forbidden. Do not connect the motor to voltage higher than 24VDC.
4. If press any part onto the shaft, the other shaft end must withstand, otherwise, the spacer ring or bushing/bearing inside motor will be removed or damaged due to thrust.
5. The max length of the screw turned into the motor housing is 5mm.
6. The motor complies with the RoHS.
7. Gear box for two stage planetary gear reducer, gear ratio is 1:276&1:22.6



REV.NO	DATE	DESCRIPTION	REV.BY

DIMENSIONS ARE IN METRIC TOLERANCES UNLESS SPECIFIED: X.X±0.3 X.XX±0.2 X.XXX±0.1 ANGLE: ±0.5 DEG		<b>HengDrive 恒驱</b> SHENZHEN HENGDRIVE ELECTRIC CO., LTD. Brushless Motor 无刷电机 深圳市恒驱电机股份有限公司		
PROPRIETARY AND CONFIDENTIAL ( ) CRITICAL DIM [ ] CONTROL DIM		TITLE: B5685G	SCALE 1:1.5	DATE 2017-04-24
Material: color:			CHK.BY	
Surface: Finish:	A4	SHEET 1 OF 1	APP.BY	