

A

B

C

D

E

F

A

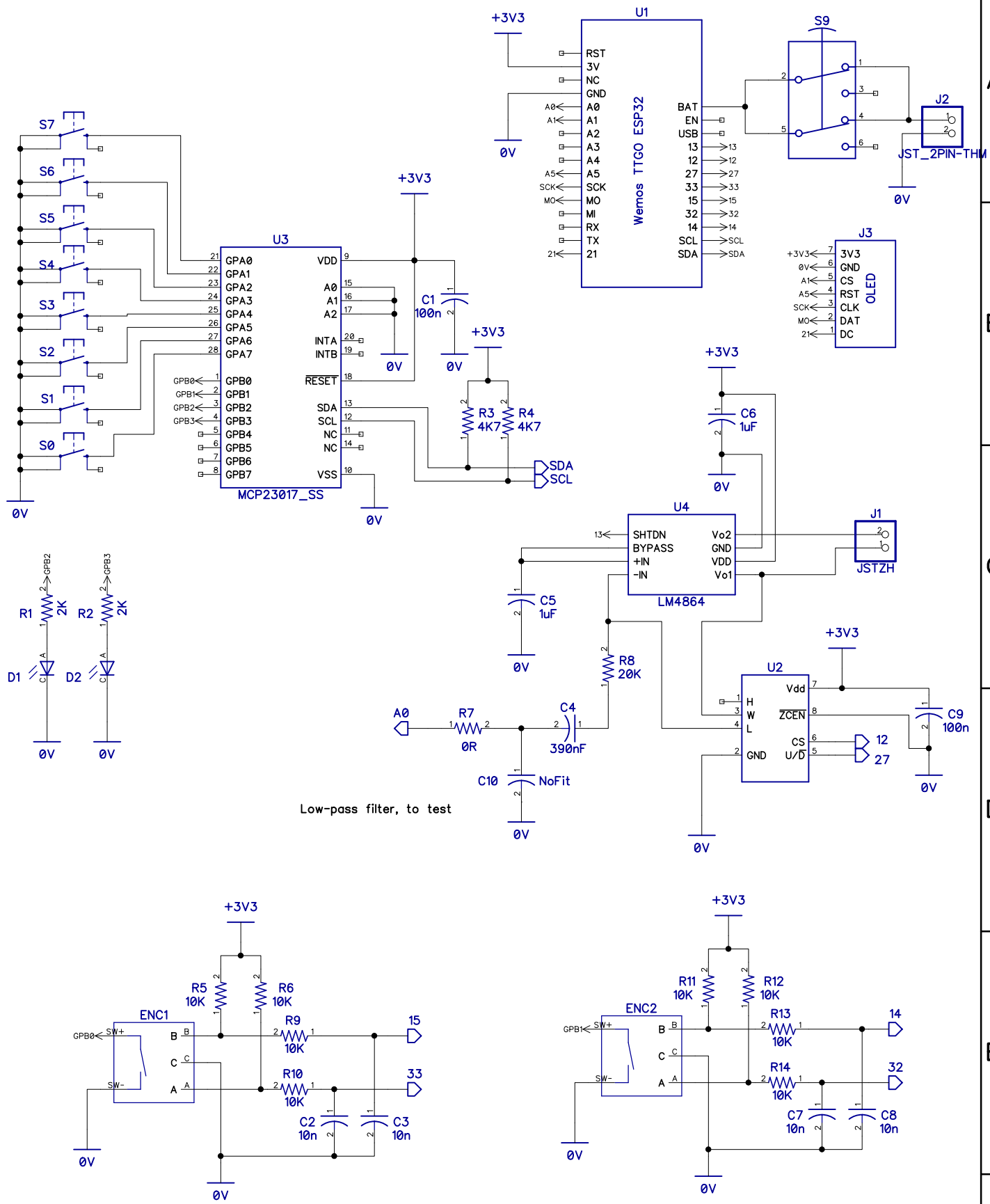
B

C

D

E

F



Low-pass filter, to test

Itemref	Quantity	Title/Name, designation, material, dimension etc	Article No./Reference		
Designed by	Checked by	Approved by - date - 00/00/00	File name	Date 00/00/00	Scale 1:1
			Edition 0		Sheet 1/1