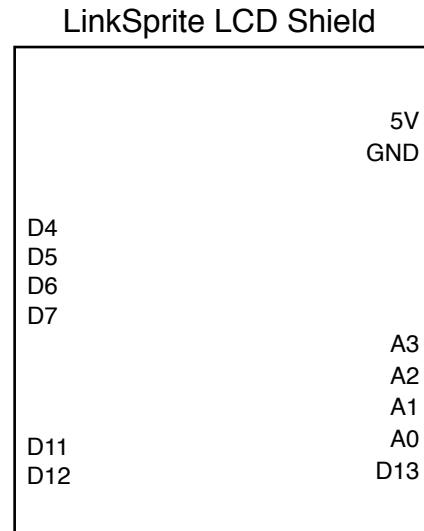
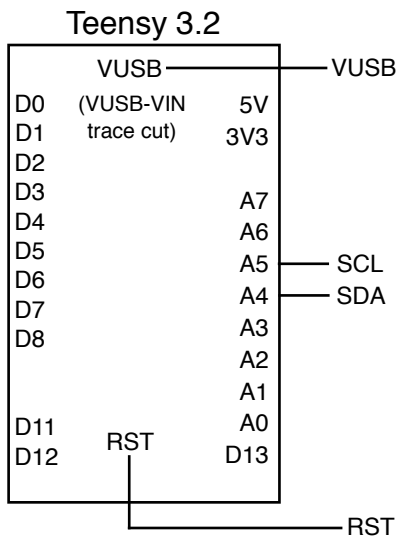
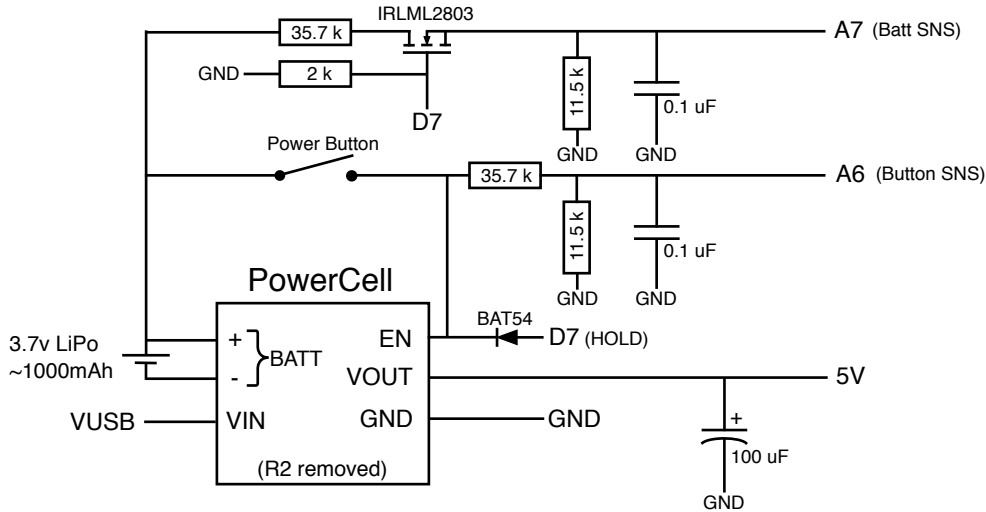
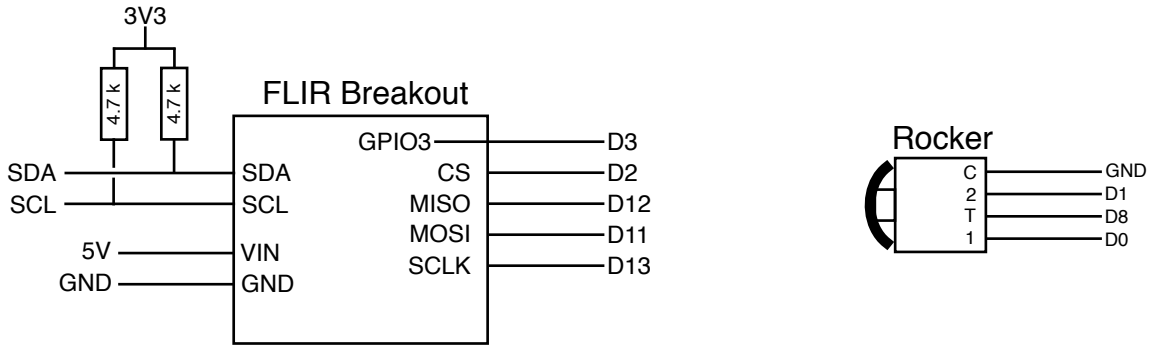


# FLIR/Teensy Test Platform

Dan Julio - 2018



Teensy mounted on Breakout with the following additional wiring:

1. Teensy RST to Arduino RST
2. Teensy VUSB to Arduino Spare
3. Teensy A4 to Arduino SDA
4. Teensy A5 to Arduino SCL
5. Add 32 kHz crystal for RTC