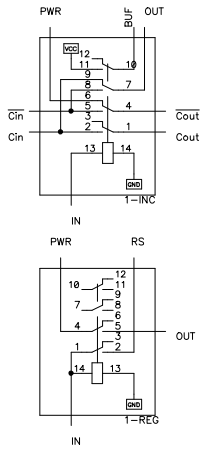
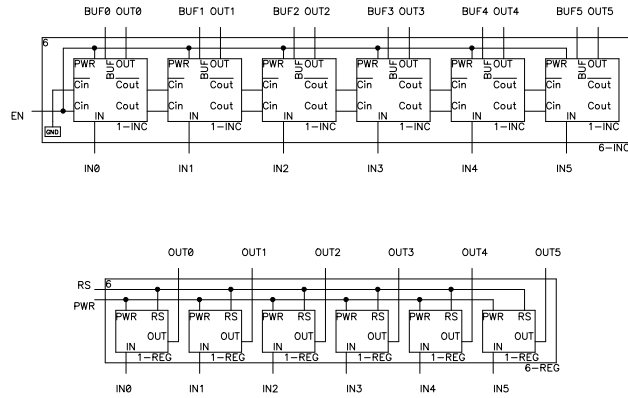


# R200 Relay Computer

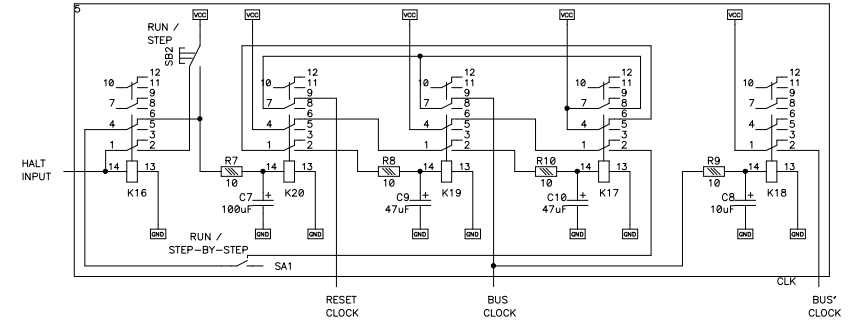
## 1-BIT BLOCKS



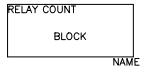
## MULTI-BIT BLOCKS



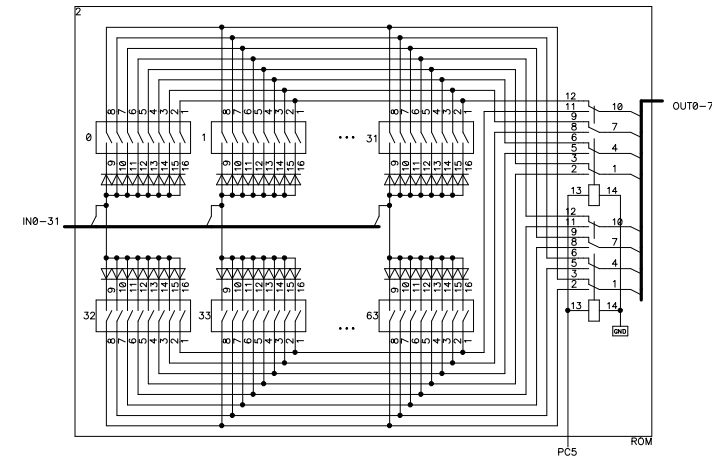
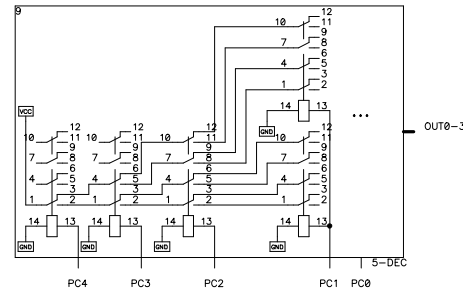
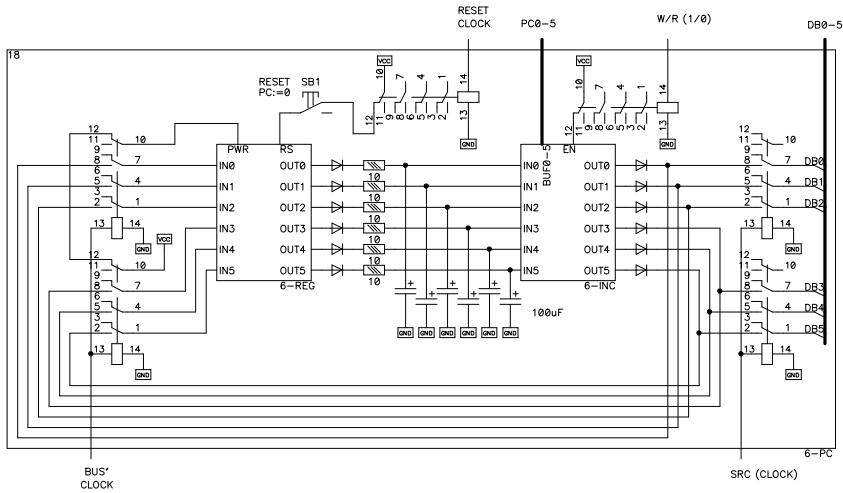
## SERVICE BLOCKS



x-INC -- x-BIT HALF-ADDER (FOR INCREMENT)  
 x-REG -- x-BIT REGISTER  
 CLK -- CLOCK GENERATOR / SEQUENCER  
 6-PC -- 6-BIT PROGRAM COUNTER  
 5-DEC -- 5-BIT ROM ADDRESS DECODER  
 ROM -- 64x8BIT ROM



## COMPUTER BLOCKS



## FULL R200 (NOT FINISHED)

