

Beach Day

Revision History

Rev	Date	Description
XA	11 APR 18	1) Initial release.
XB	3 JULY 18	1) Added R38 thru R39; Changed R20 value; Swapped nets on LCD1-1 & LCD1-2

Schematic Page Description

Page	Description
01	Cover Sheet
02	Block Diagram
03	Power
04	MCU / Peripherals
05	LEDs

Beach Day

Cover Sheet

Date July 03, 2018

Sheet 1

5

4

3

2

1

D

D

C

C

B

B

A

A

5

4

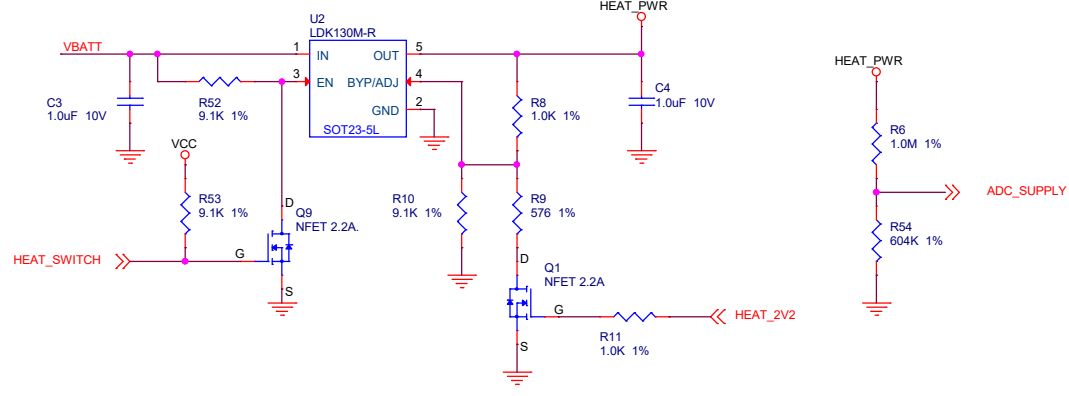
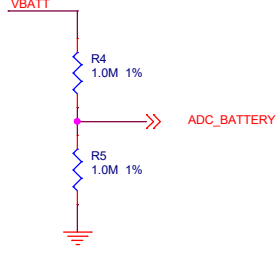
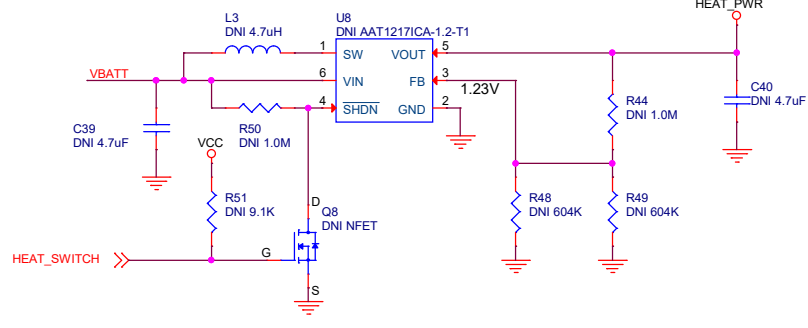
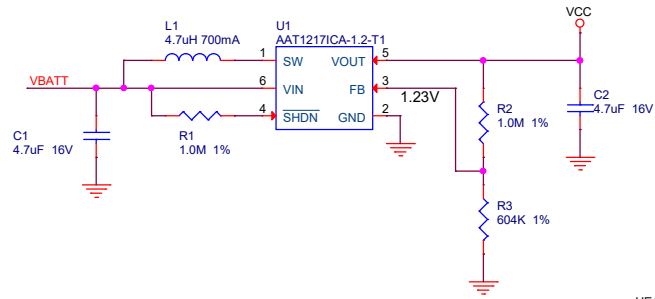
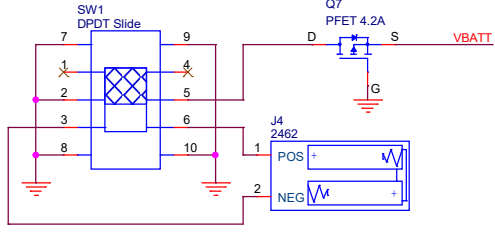
3

2

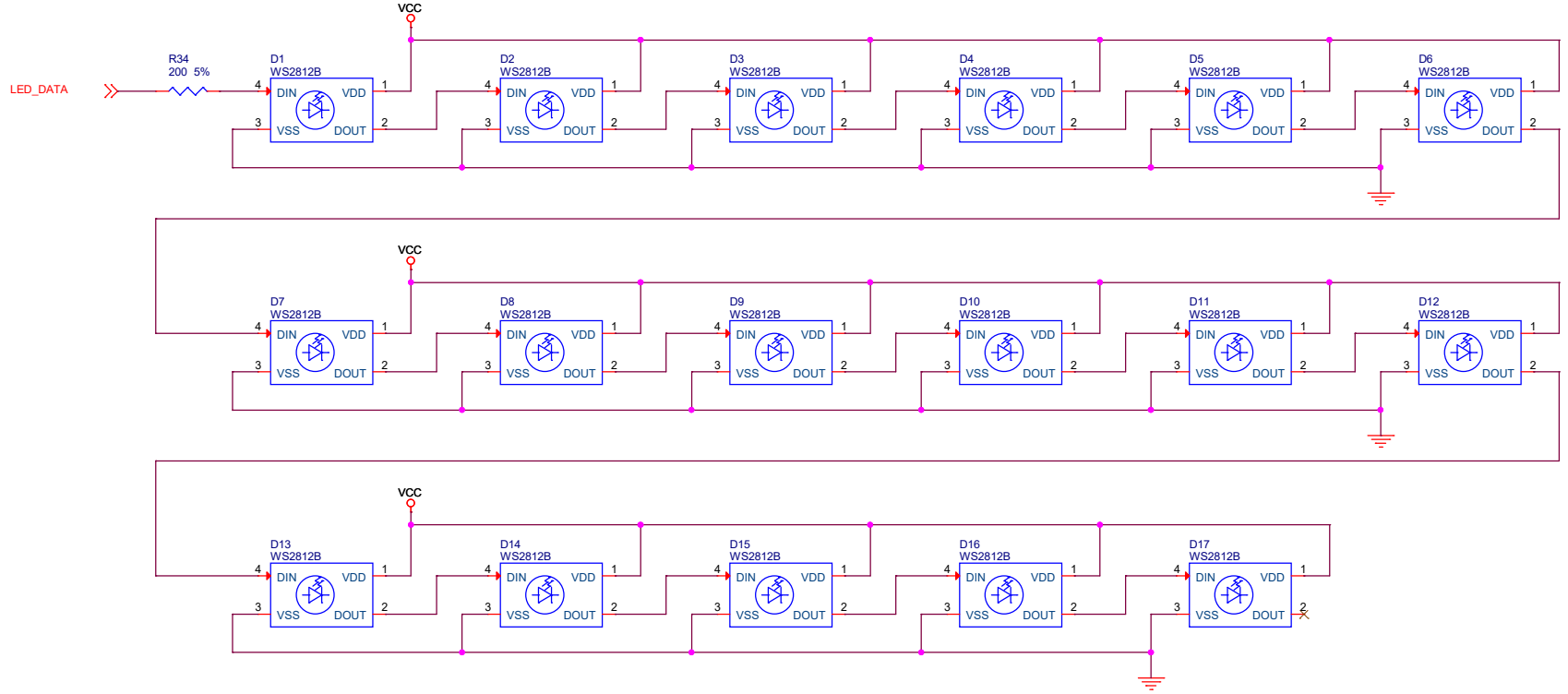
1

Beach Day
Block Diagram

Date July 03, 2018 Sheet 2



Beach Day
Power



Beach Day

LEDs

Date July 03, 2018

Sheet 5