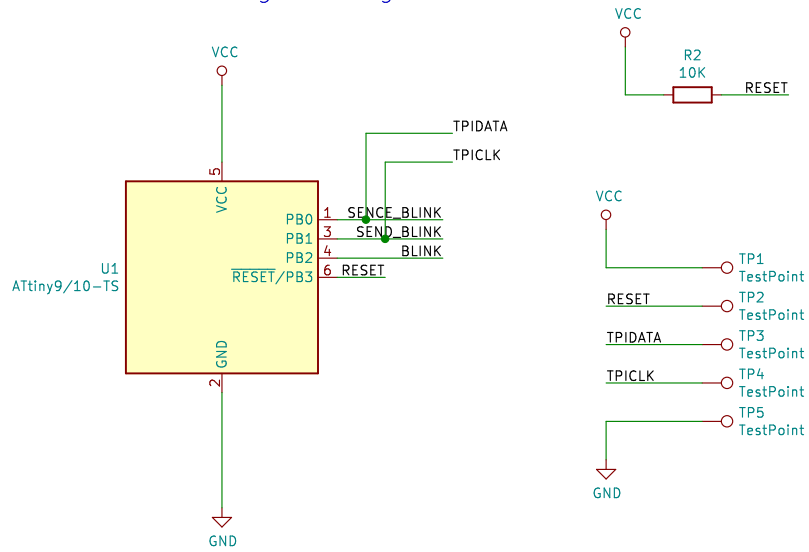
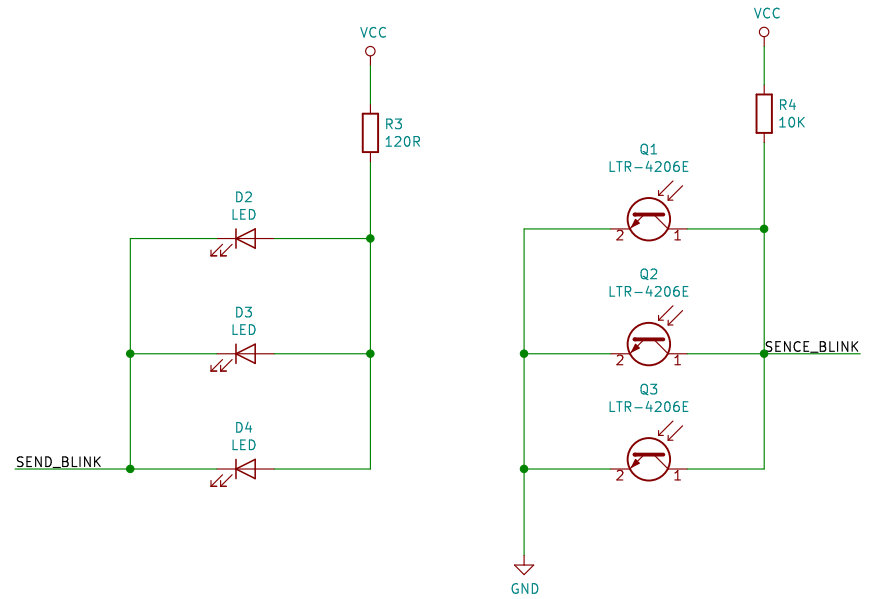


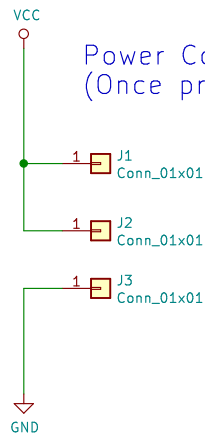
### MCU and Programming connectors



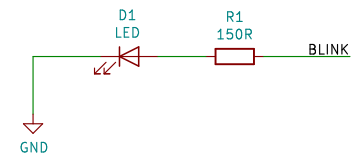
### IR send and receive LEDs and Phototransistors



### Power Connections (Once programmed will run 3-5VDC)



### Blink LED



Sheet: /	
File: BlinkIR.sch	
<b>Title:</b> BlinkIR (Mouser and Macrofab Blink an LED competition entry)	
Size: A4	Date: 08/09/2018
KiCad E.D.A. kicad (5.0.0)	Rev: 1
	Id: 1/1