

**NathanPetersen.com**

FILENAME: polysynth

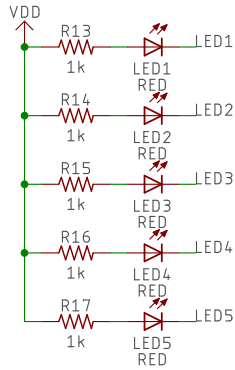
DESCRIPTION:  
 Circuitry for testing ability of MCU  
 to synthesize various audio waveforms

REV:  
 A

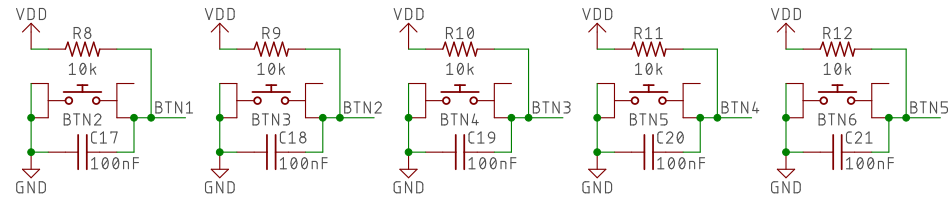
DATE: 8/23/18 8:33 PM

SHEET: 1/2

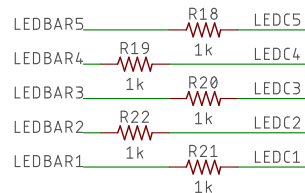
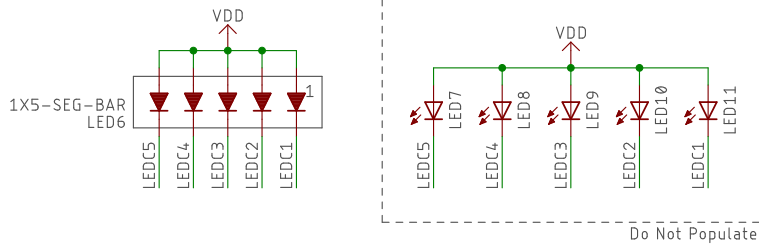
## Keyboard LEDs



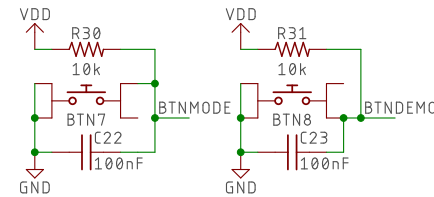
## Keyboard Button Inputs



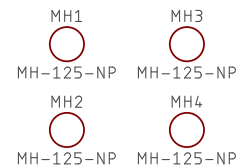
## 5-Segment LED Bar Display



## Function Buttons



## Mounting Holes



**NathanPetersen.com**

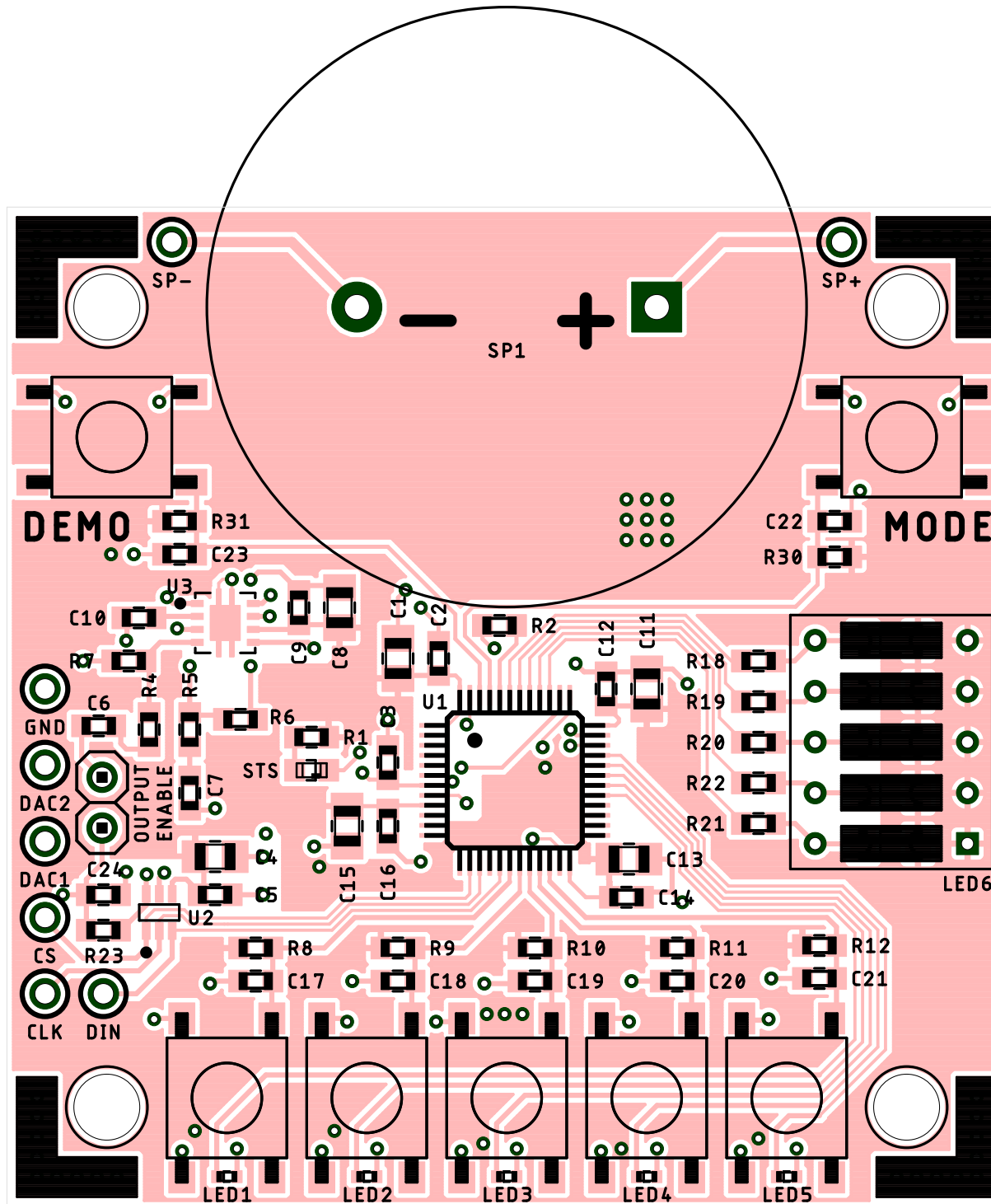
FILENAME: polysynth

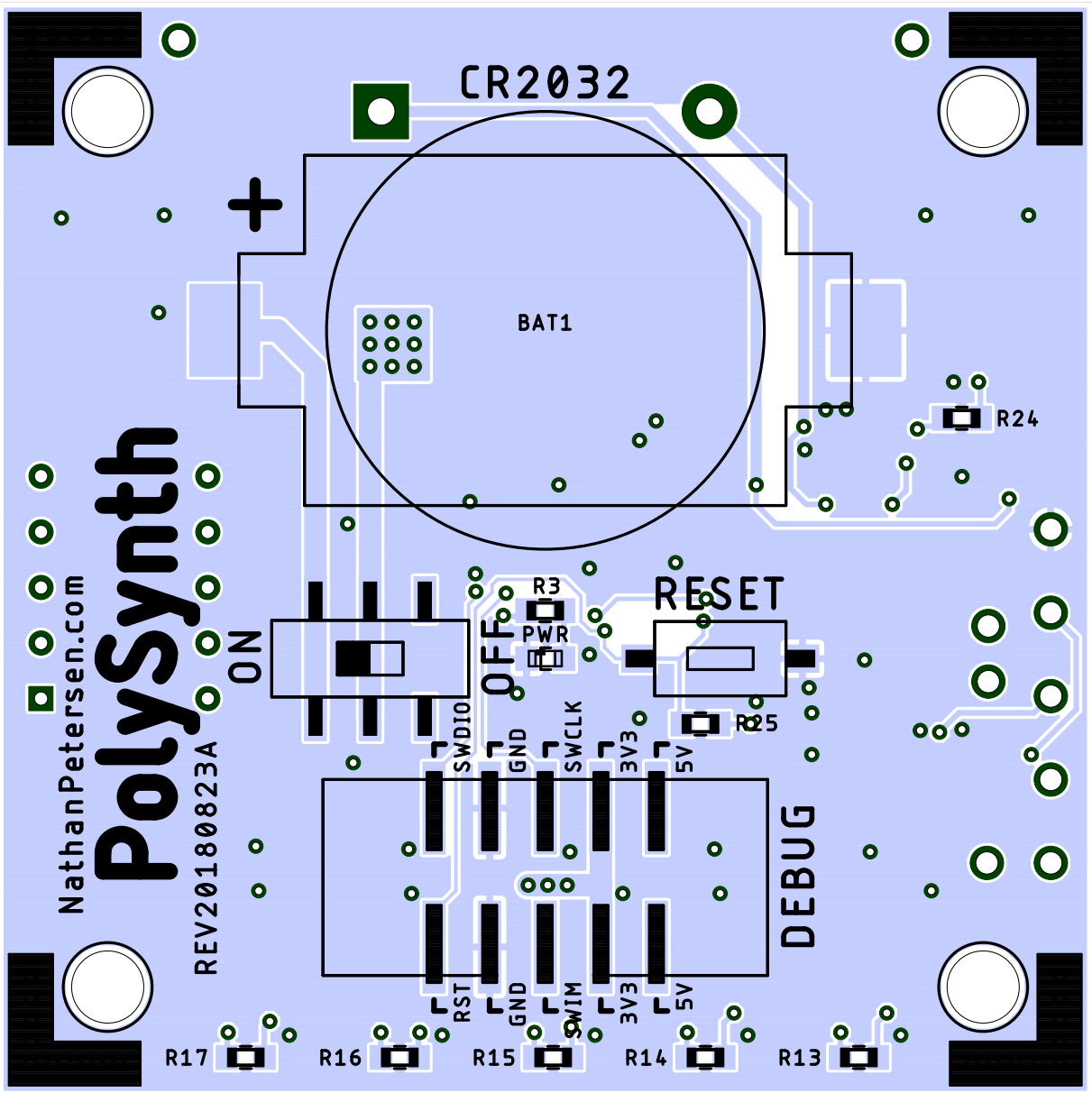
DESCRIPTION:  
Various I/O support circuitry

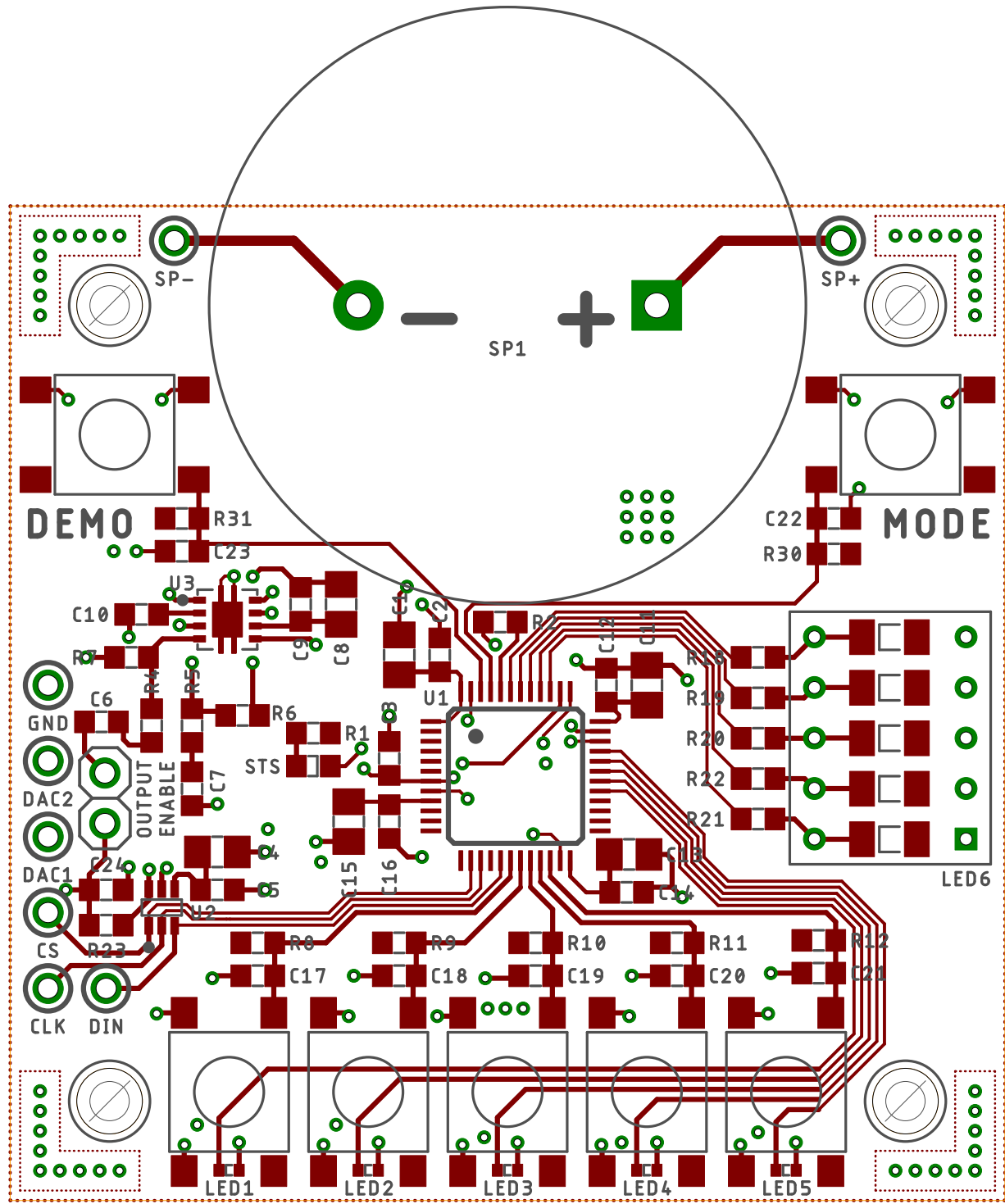
REV:  
A

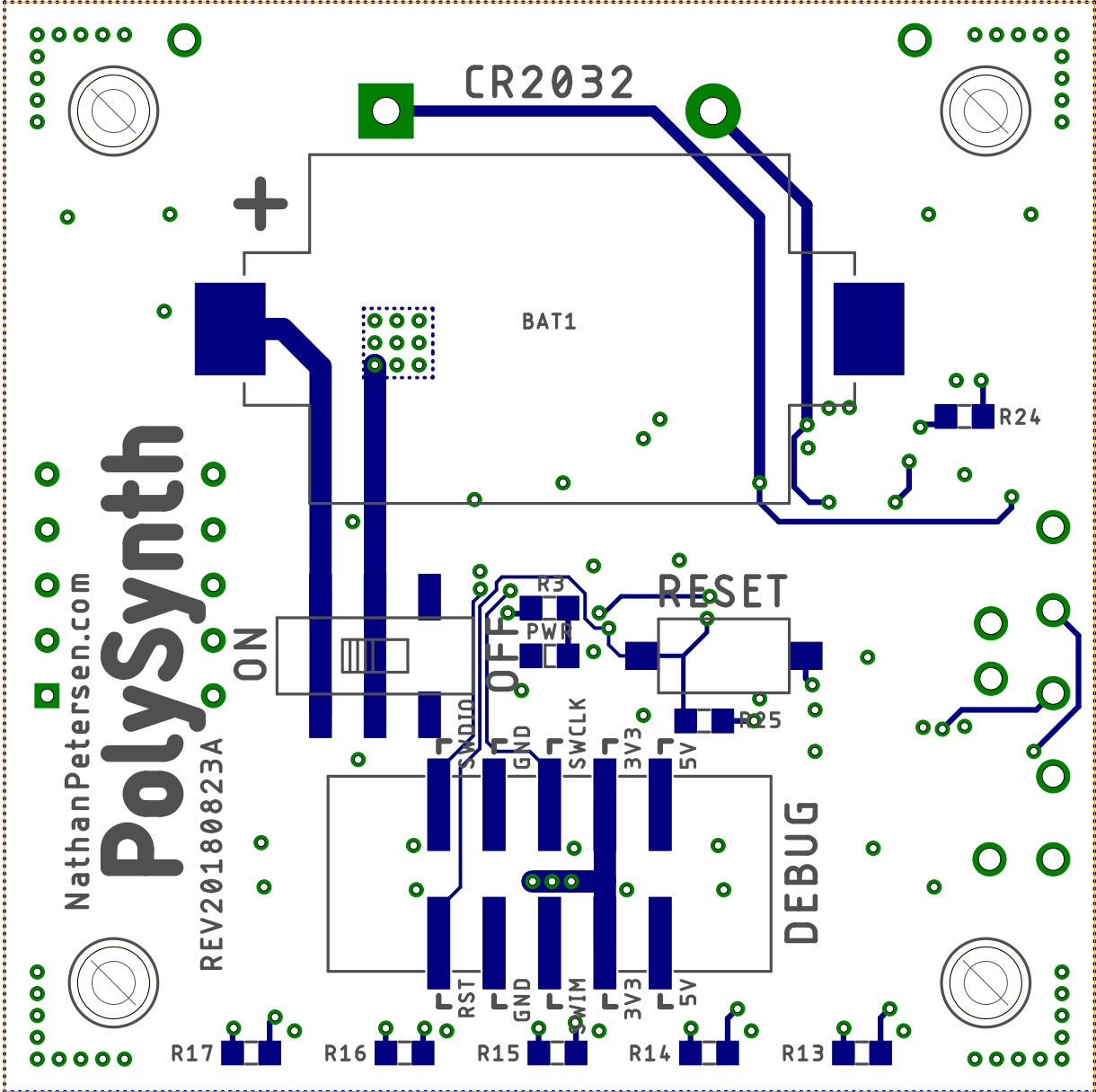
DATE: 8/23/18 8:33 PM

SHEET: 2/2









Nathan Petersen.com

# PolySynth

REV20180823A

ON

CR2032

BAT1

R24

RESET

DEBUG

R17

R16

R15

R14

R13

R3

PW

GND

SWCLK

3V3

5V

SWDIO

GND

SWIM

3V3

5V

5V

5V

5V

5V

5V

5V

5V

5V

5V

5V

5V

