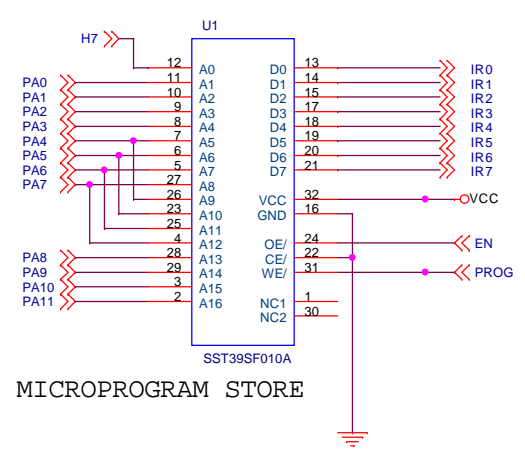
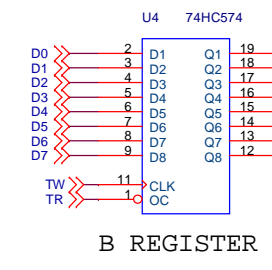


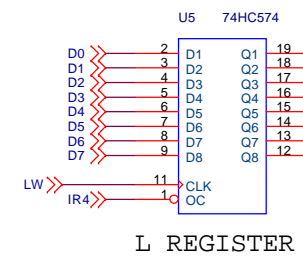
MICROPROGRAM COUNTER



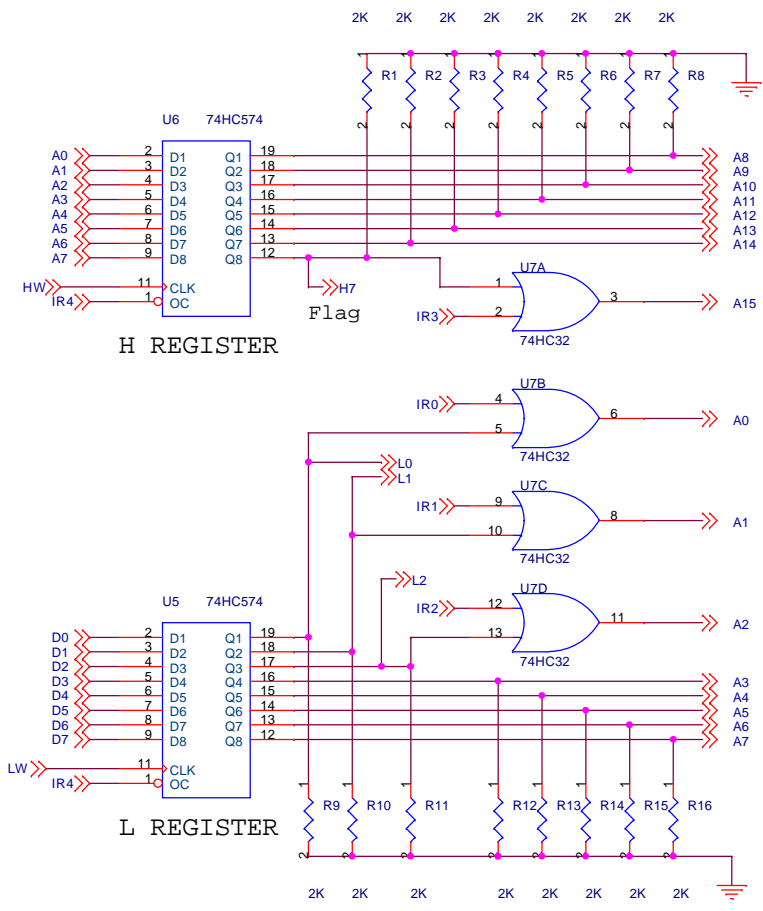
MICROPROGRAM STORE



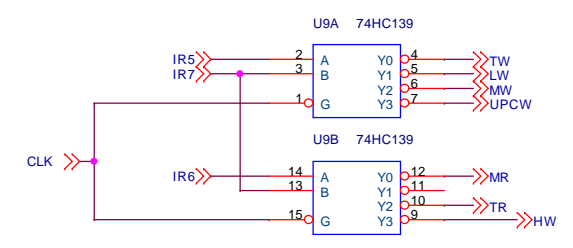
B REGISTER



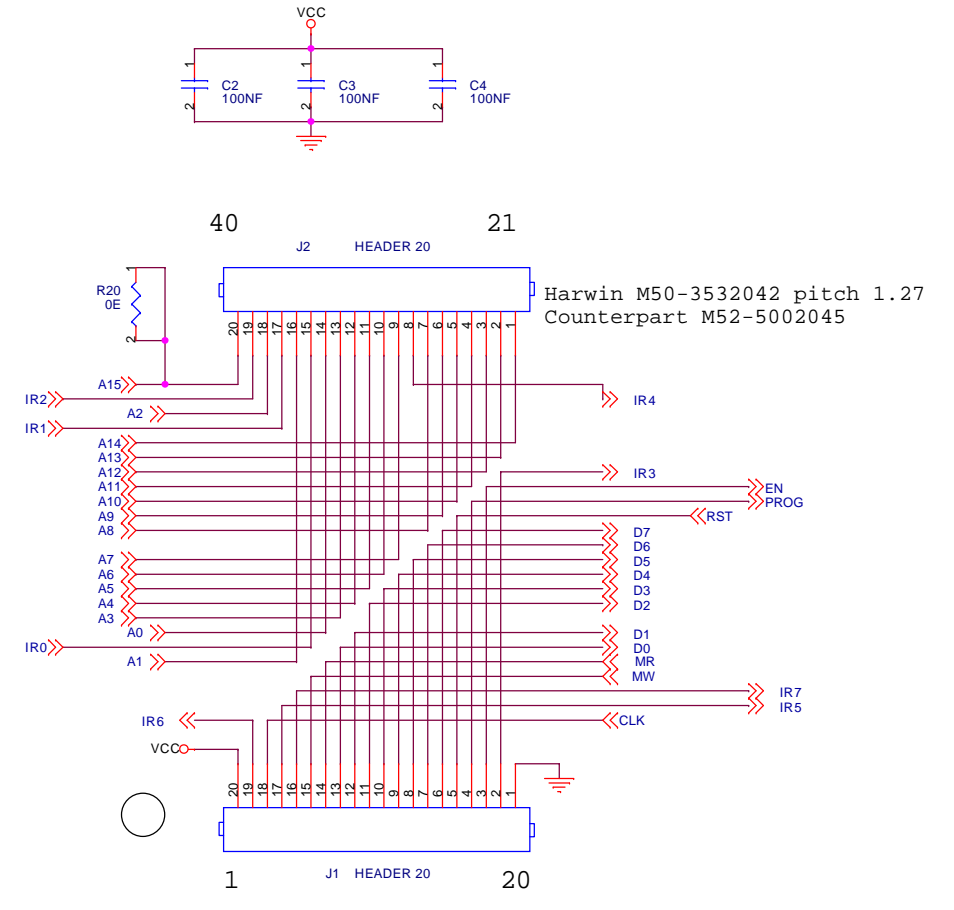
L REGISTER



H REGISTER



MICRO-INSTRUCTION DECODE



NO-ALU TTL CPU
 ROELH
 20180906