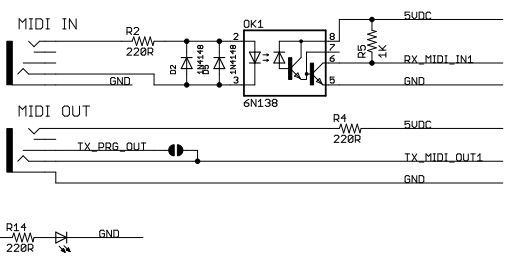
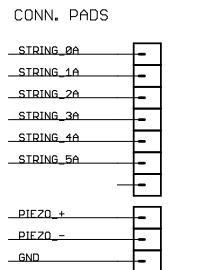
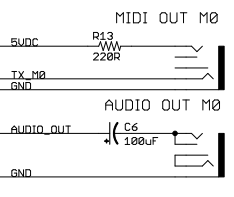
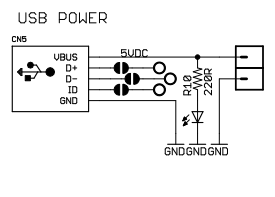
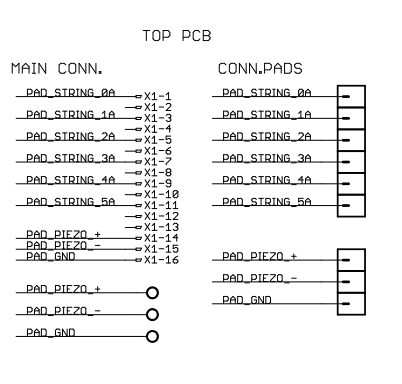
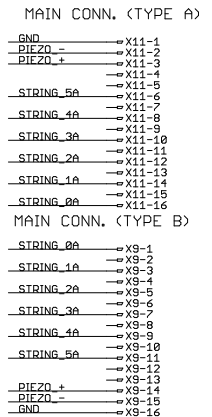
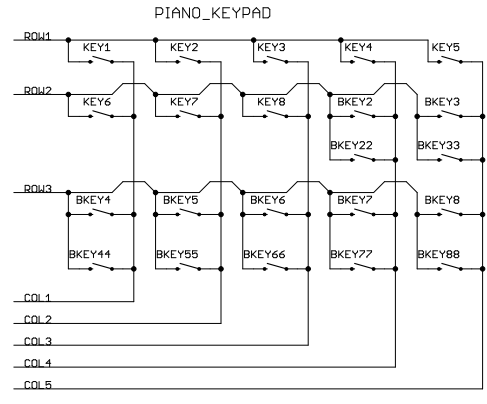
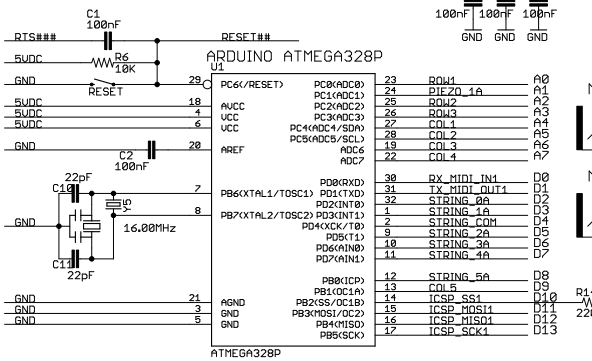


can USE RESONATOR or CRYSTAL (CRYSTAL requires 2 x 22pF caps)



STRUMMER 1.0
 MIROSLAW SOWA
 SEP 19, 2018