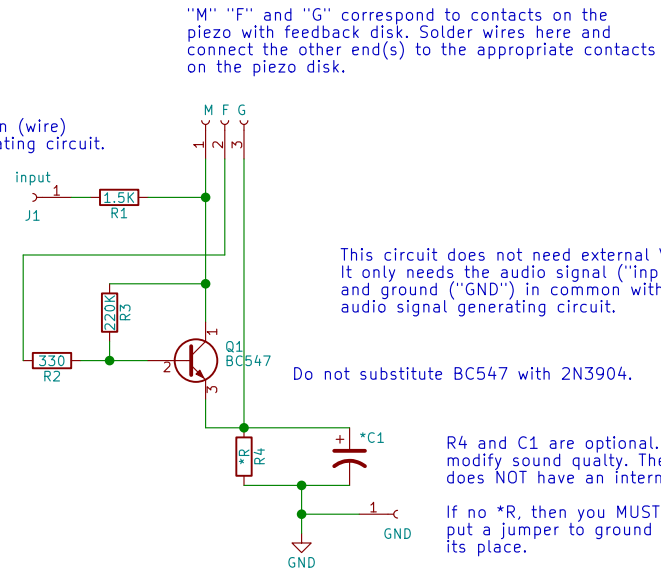


"input" is the signal in (wire) from the sound generating circuit.

Reduce or omit R1 for louder sound (or use pot to adjust volume)



K. Heaton / schematic for "Piezo_amplifier2" / 2018

Uses BC547 NPN transistor
Replicates obsolete Radioshack part 273-060A
Amplifies a 2.8 KHz Piezo disk with feedback

Kelly Heaton

Sheet: /
File: Piezo_amplifier2.sch

Title: Piezo Amplifier2

Size: USLetter | Date: March 30 2018

KiCad E.D.A. kicad 4.0.7

Rev: 2

Id: 1/1