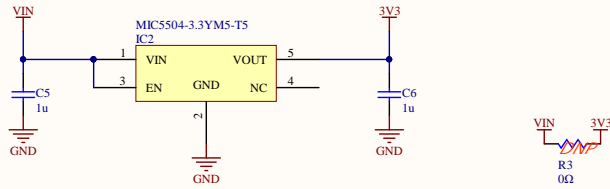
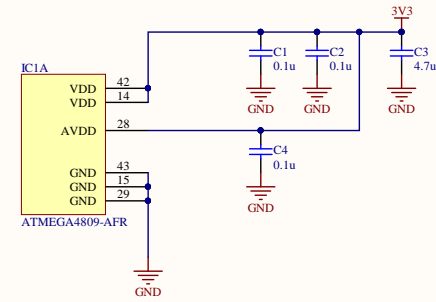


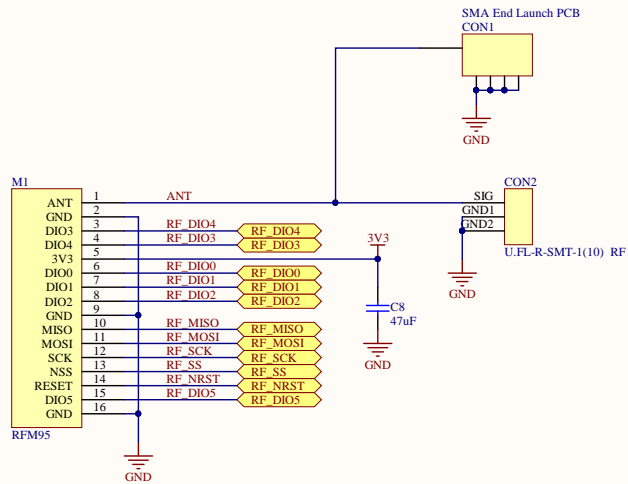
## LDO 3.3V



## MCU SUPPLY



## RFM95 MODULE



## ATMEGA4809

