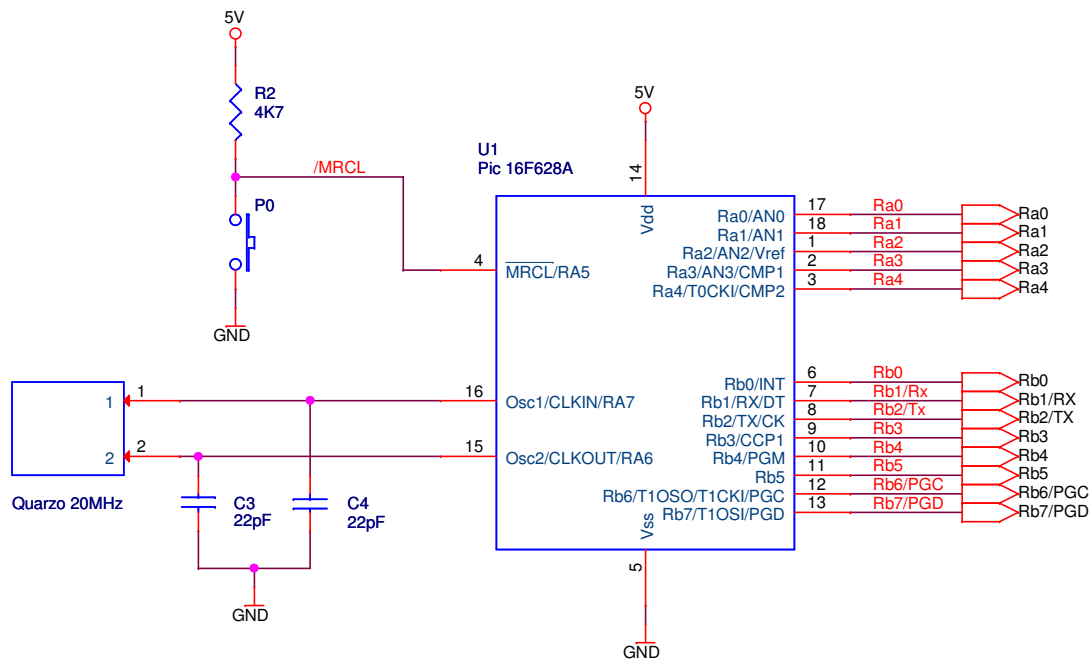
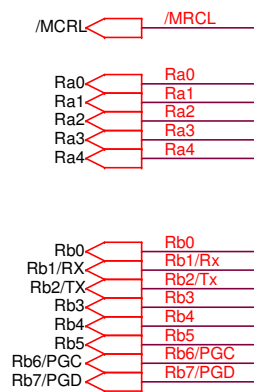
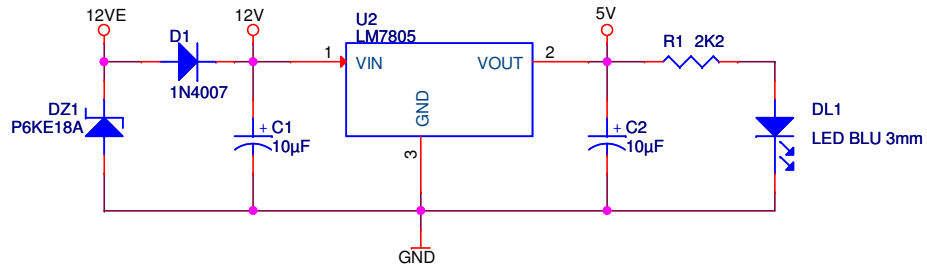


Title		
Interfaces		
Size	Document Number	Rev
A4	Demo Board PIC 16F628A	01
Date:	Saturday, August 25, 2018	Sheet 1 of 3

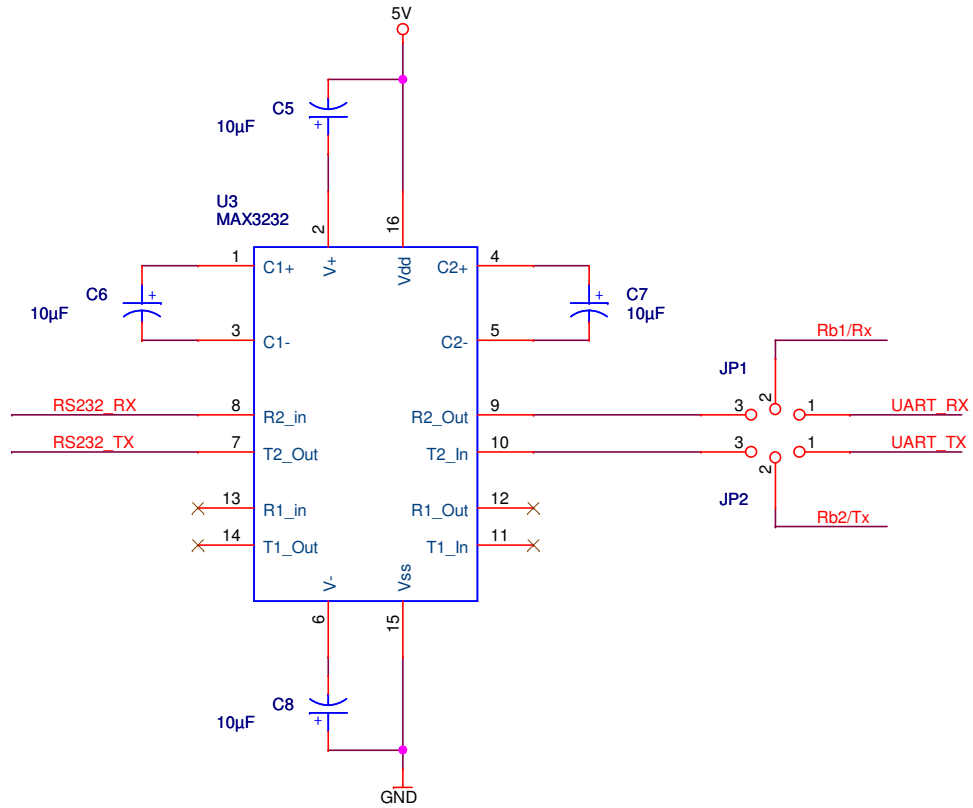


Title		
Microcontroller		
Size A4	Document Number Demo Board PIC 16F628A	Rev 01
Date:	Wednesday, August 15, 2018	Sheet 2 of 3

RS232_RX → RS232_RX
 RS232_TX → RS232_TX

UART_RX → UART_RX
 UART_TX → UART_TX

Rb1/Rx → Rb1/Rx
 Rb2/Tx → Rb2/Tx



Title		
Communication		
Size	Document Number	Rev
A4	Demo Board PIC 16F628A	01
Date:	Sunday, August 12, 2018	Sheet 3 of 3