

Penny+Giles

A Curtiss-Wright Company

The Penny + Giles PGFM3200 linear motorised fader is designed to provide a servo output with integral touch sense pathway.

Built around the proven technology of the PGF3000 manual fader, the PGFM3200 is available with a choice of cored or coreless motors for a motorised fader which offers excellent performance.



- 100mm stroke length
- choice of cored or coreless motor
- touch sense pathway
- linear servo output
- M3 mounting threads

www.pennyandgiles.com

PGFM3200

LINEAR MOTORISED FADERS

PGFM3200

linear motorised fader



SPECIFICATION AND MOTOR OPTIONS

Stroke length	100 ²			
Output law	Servo ⁰			
Output channels	Servo only ⁰			
Fader type	series PGFM3	stroke 2	law 0	channels 0
Resistance $\pm 20\%$	10k Ω ^D			
Mounting threads	M3 ^M			
Motor	Coreless ^H	Cored ^J		

SAFETY WARNING

50Vdc maximum voltage

The PGFM3200 is designed for operation at low voltages not exceeding 50Vdc

MOTOR DATA

Coreless

Motor supply Vdc 12 nominal

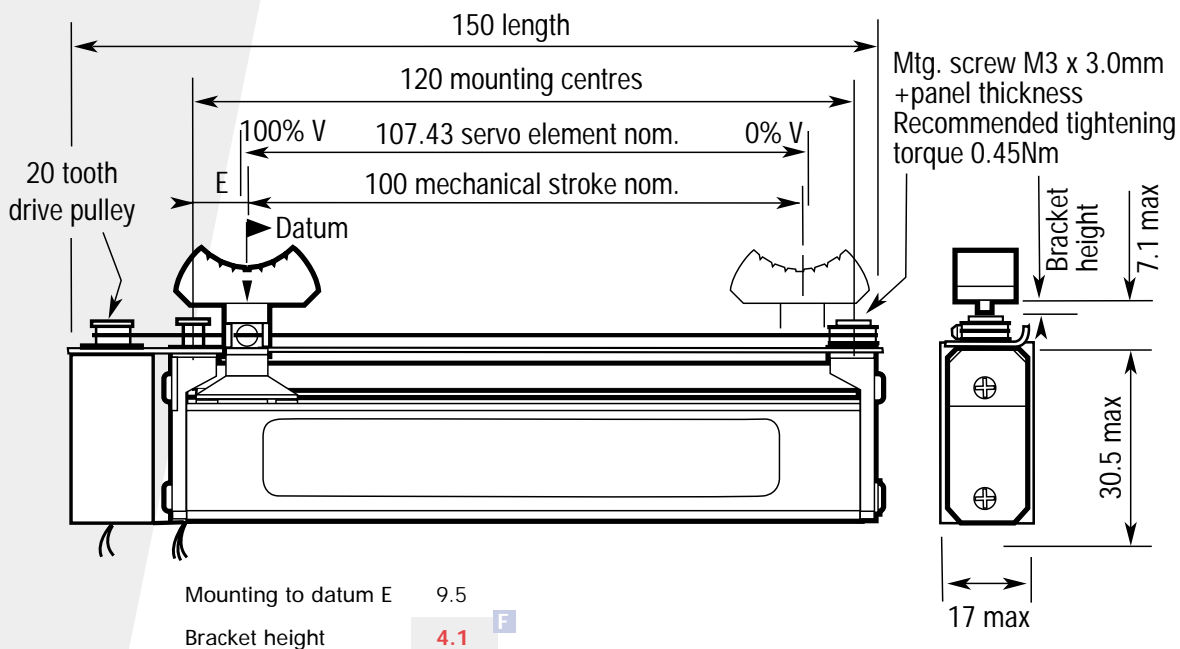
Cored

Motor supply Vdc 5 - 11.5 (8 nominal)

It is important that the fader slider is NOT driven against the end stops.

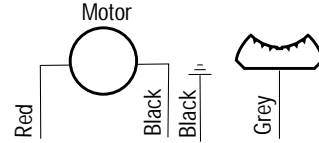
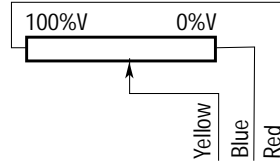
DIMENSIONS

All dimensions shown in mm



CIRCUIT DIAGRAMS/TERMINATIONS

Pin	Colour	Function
1	Grey	Touch sense
2	Blue	0%V
3	Yellow	Wiper
4	Red	100%V
5	Black	Motor -ve
6	Red	Motor +ve



Cable type 7 x 0.15mm PVC insulated 130mm long
Connector AMP CST-100 6 way (770602-6) with tin coated crimp terminals (770666-1)

SERVO DETAILS

Long servo

The electrical length of the servo track is longer than the mechanical stroke of the fader so that 0%V and 100%V are never achieved. The long servo is standard on the PGFM3200 motorised fader series. For other servo options, contact your nearest Penny+Giles sales office to discuss your requirements and availability.

FADER KNOB OPTION

A P+G 11mm satin finish chrome knob is available to purchase separately.



TO ORDER OR OBTAIN A QUOTATION PLEASE CONTACT YOUR NEAREST SALES OFFICE AND ADVISE:

The series number and description • the stroke length • output law • output channel • resistance • fixing threads
 • bracket height • motor type

For example: • PGFM3200 linear motorised fader • 100mm stroke • one channel servo • 10kΩ resistance • M3 mounting inserts
 • 4.1mm bracket height • coreless motor Penny+Giles would code this fader as:

Fader type	series	stroke	law	channels	resistance	inserts			bracket	motor
	PGFM3	2	0	0	D	M	-	-	F	H

www.pennyandgiles.com

Penny & Giles

Faders and controllers, position sensors, joysticks and solenoids for commercial and industrial applications.

36 Nine Mile Point Industrial Estate
Cwmfelinfach
Gwent NP11 7HZ
United Kingdom
+44 (0) 1495 202000
+44 (0) 1495 202006 Fax
sales@pennyandgiles.com

15 Airfield Road
Christchurch
Dorset BH23 3TG
United Kingdom
+44 (0) 1202 409409
+44 (0) 1202 409475 Fax
sales@pennyandgiles.com

665 North Baldwin Park Boulevard
City of Industry, CA 91746
USA
+1 626 480 2150
+1 626 369 6318 Fax
us.sales@pennyandgiles.com

Straussenlettenstr. 7b
85053 Ingolstadt,
Germany
+49 (0) 841 885567-0
+49 (0) 841 885567-67 Fax
info@penny-giles.de

3-1-A, Xiandai Square,
No 333 Xingpu Rd,
Suzhou Industrial Park, 215126
China
+86 512 6287 3380
+86 512 6287 3390 Fax
sales@pennyandgiles.com.cn

Quality Approvals



Certificate No. LRO 0924881

Penny+Giles are accredited to BS EN ISO 9001:2008

Quality is at the heart of all our systems ensuring the reliability of our products from initial design to final despatch.



EMC Directive 2004/108/EEC

The products detailed in this document are supplied as components for installation into an electrical apparatus or system. They are outside the scope of the EEC directive and will not be CE marked.

The information contained in this brochure on product applications should be used by customers for guidance only.

Penny+Giles Controls Ltd makes no warranty or representation in respect of product fitness or suitability for any particular design application, environment, or otherwise, except as may subsequently be agreed in a contract for the sale and purchase of products. Customer's should therefore satisfy themselves of the actual performance requirements and subsequently the products suitability for any particular design application and the environment in which the product is to be used.

Continual research and development may require change to products and specification without prior notification.
All trademarks acknowledged.

© Penny+Giles Controls Ltd 2011

Innovation In Motion

**CURTISS
WRIGHT** Controls
Integrated Sensing