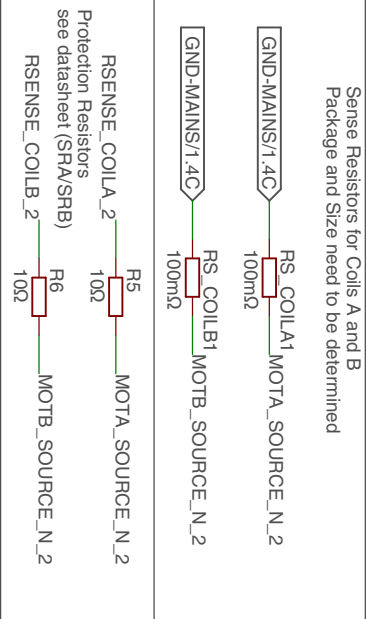
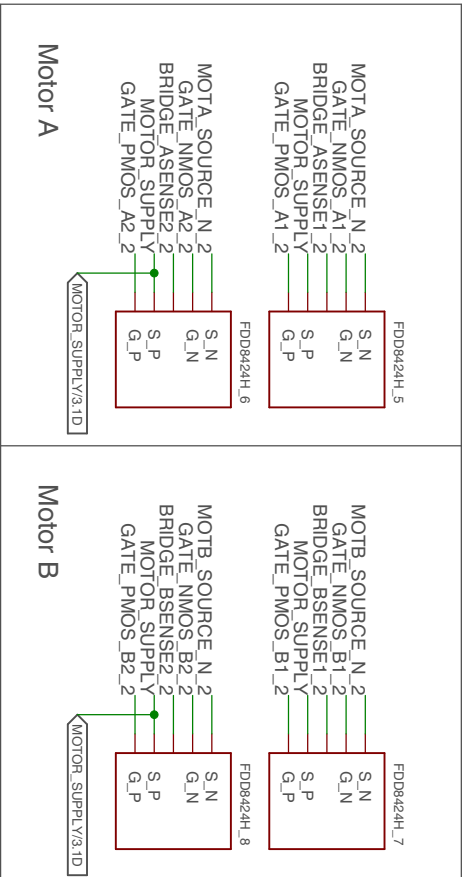
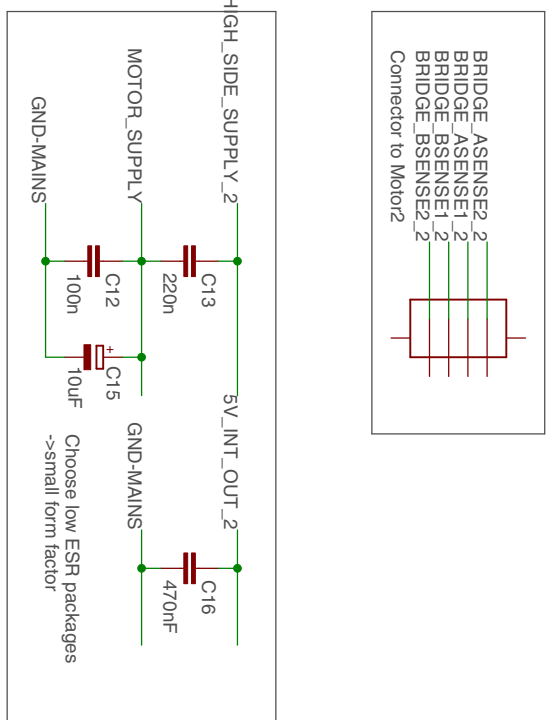
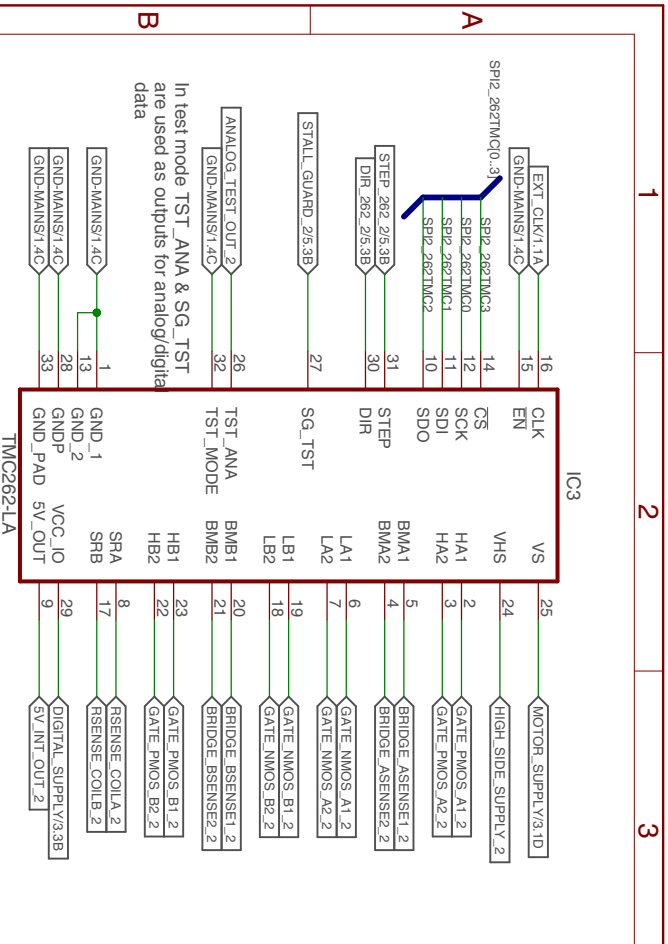


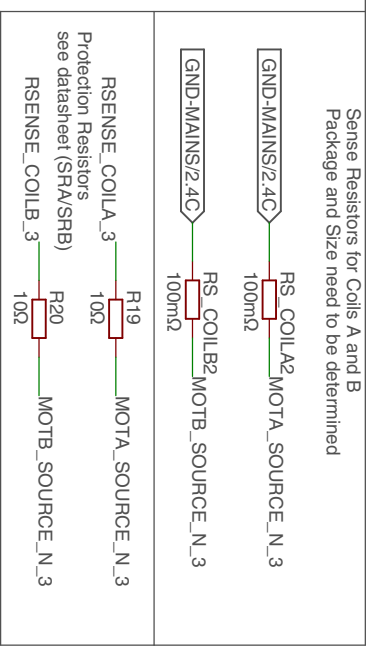
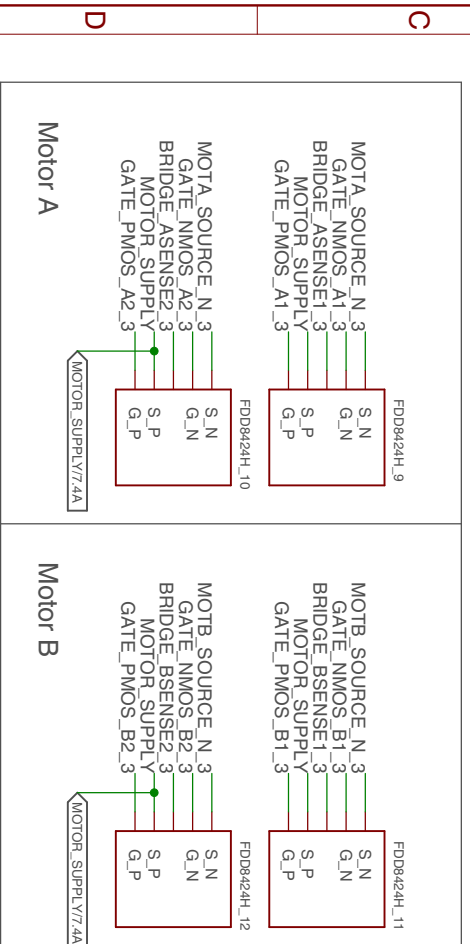
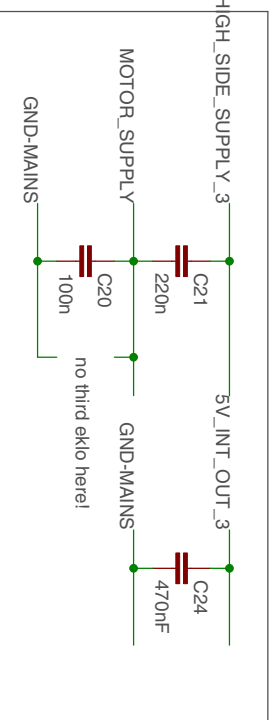
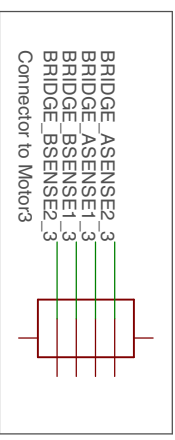
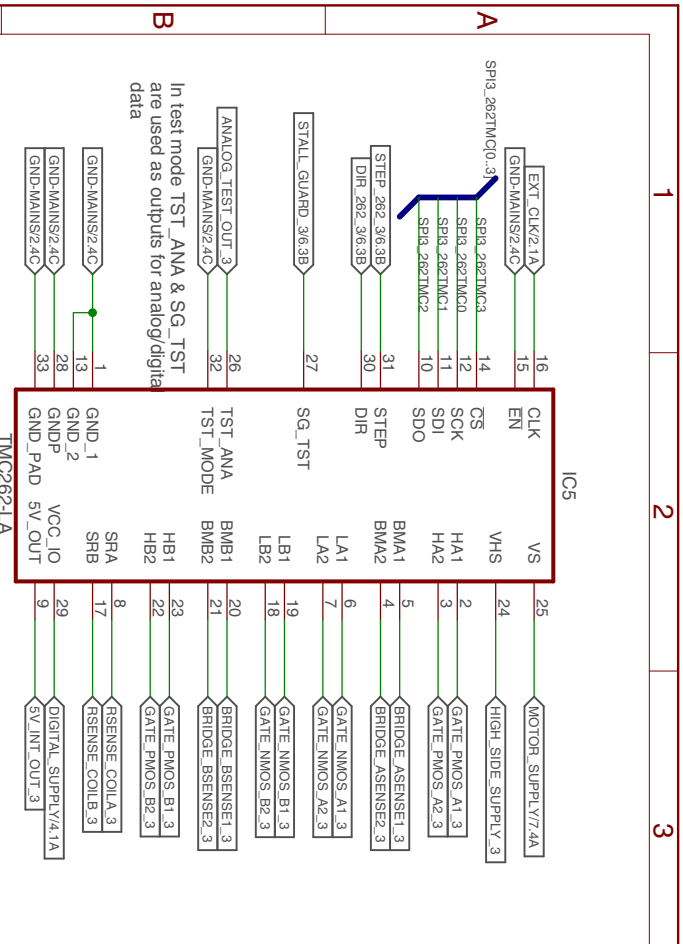
TMC262 Motor Controller

Motor1 - Axis1
Motor_Board
09.10.2018 21:39
Sheet: 1/9



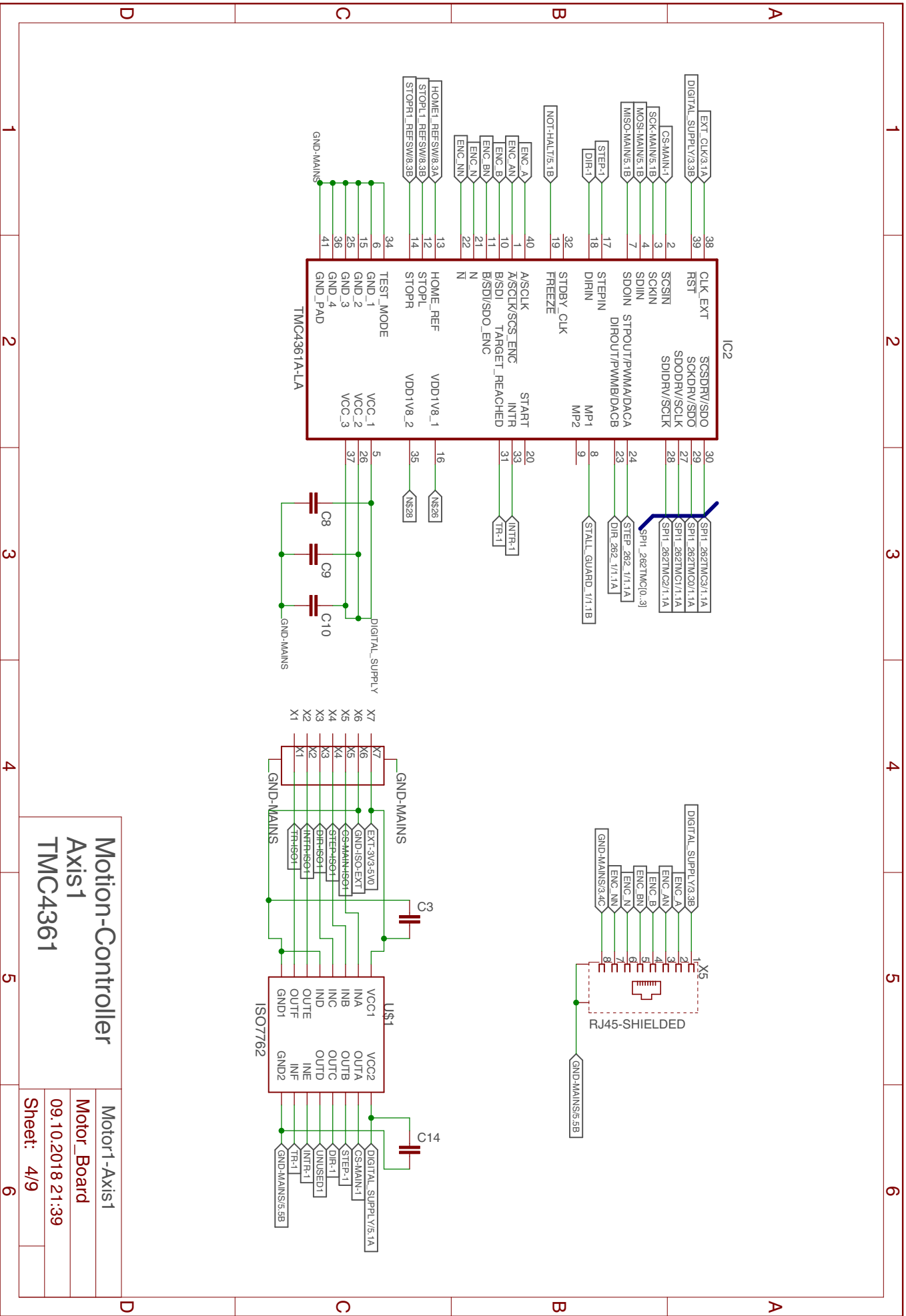
TMC262
Motor Controller

Motor2-Axis2
Motor_Board
09.10.2018 21:39
Sheet: 2/9



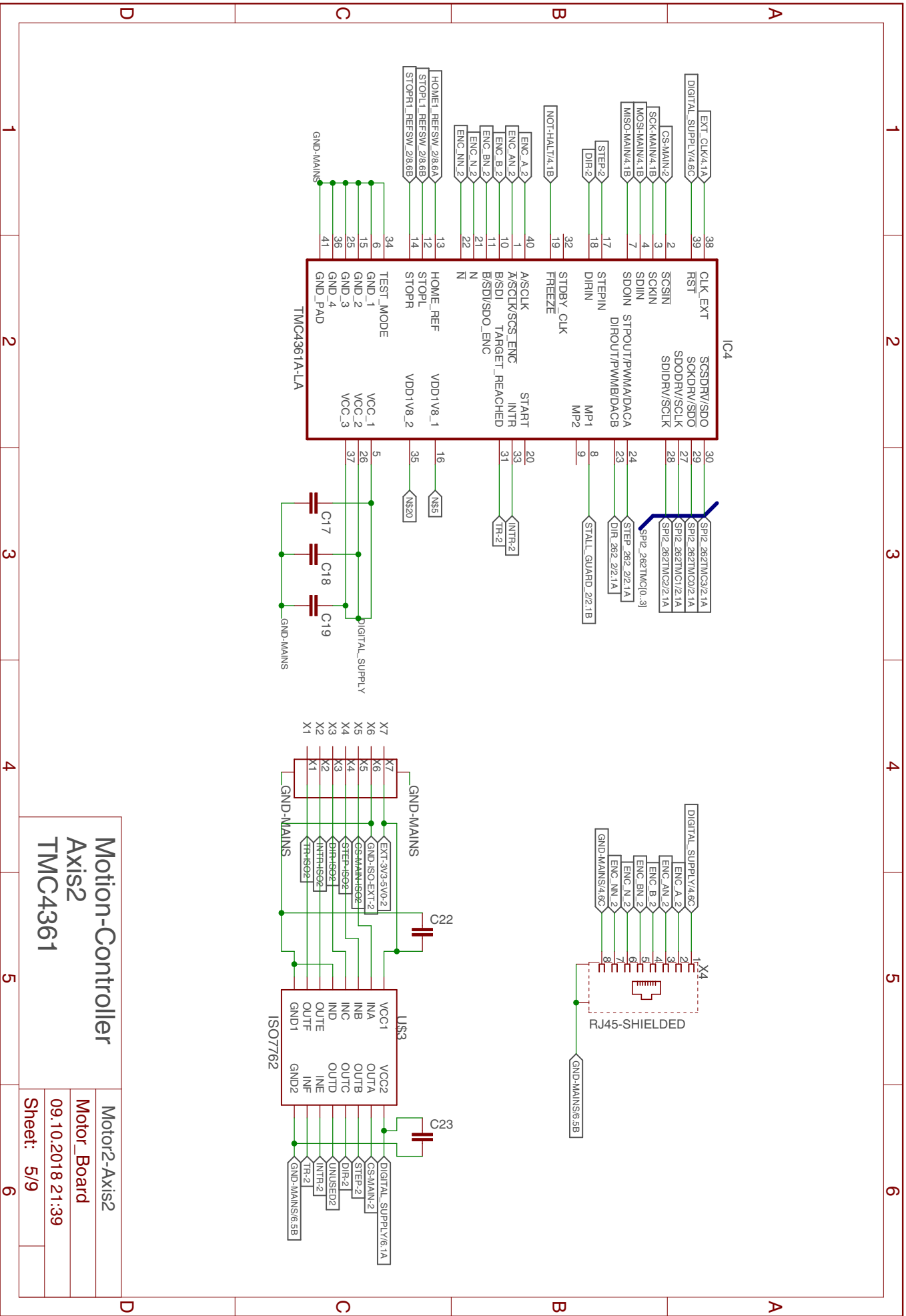
TMC262 Motor Controller

Motor3-Axis3
Motor_Board
09.10.2018 21:39
Sheet: 3/9



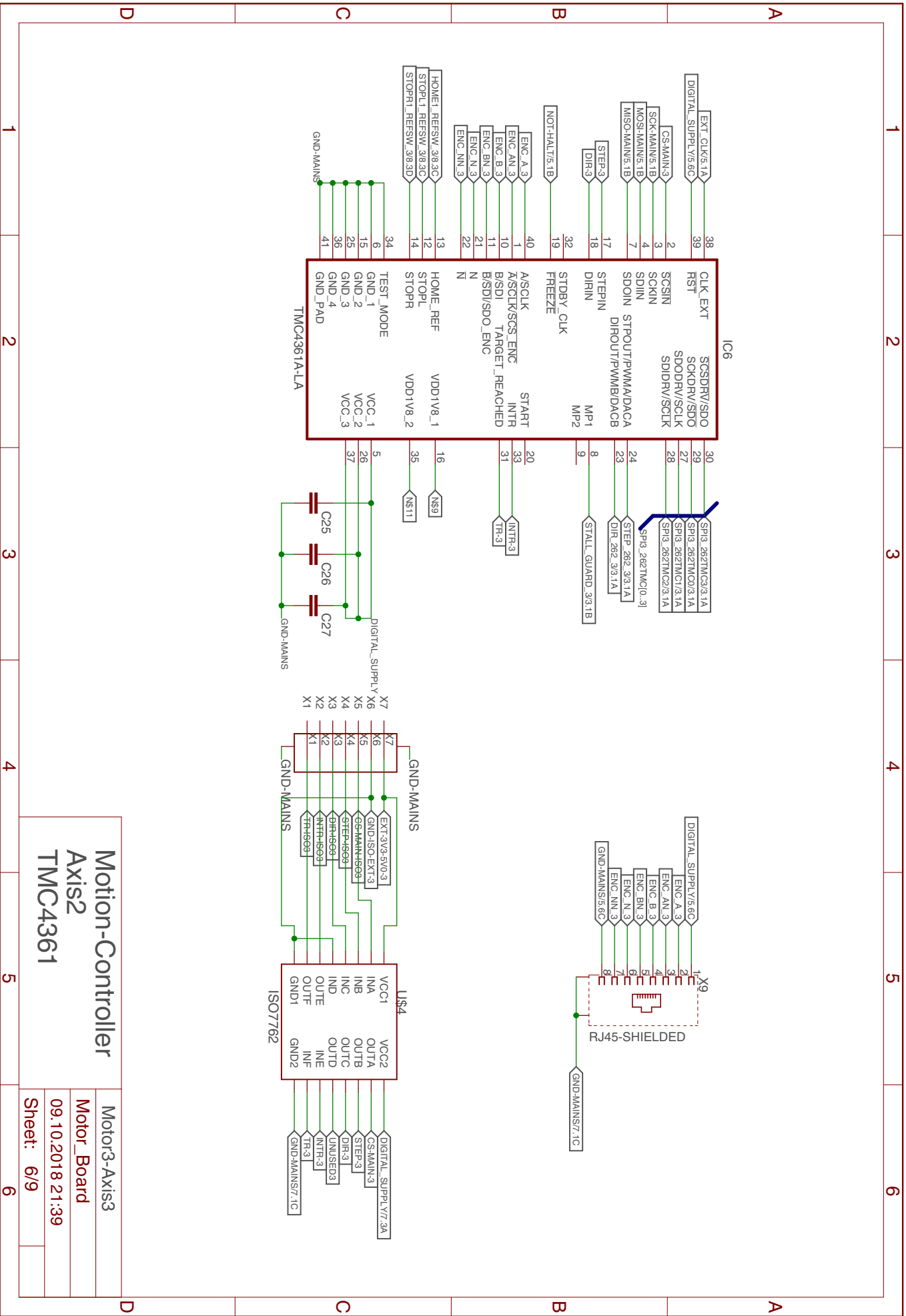
Motion-Controller
Axis1
TMC4361

Motor1 -Axis1
Motor_Board
09.10.2018 21:39
Sheet: 4/9



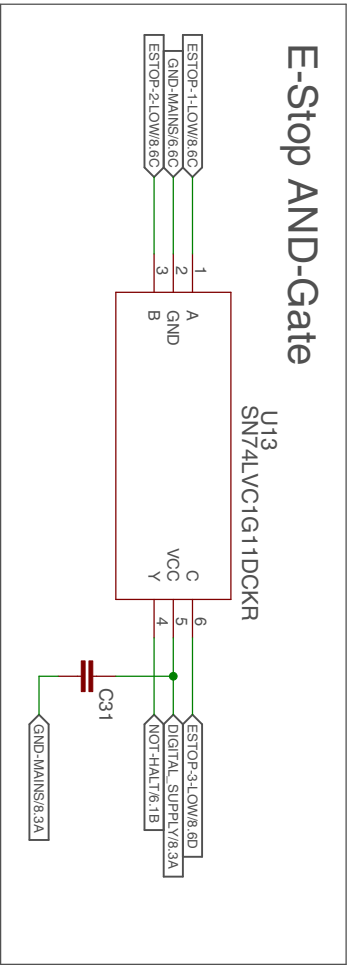
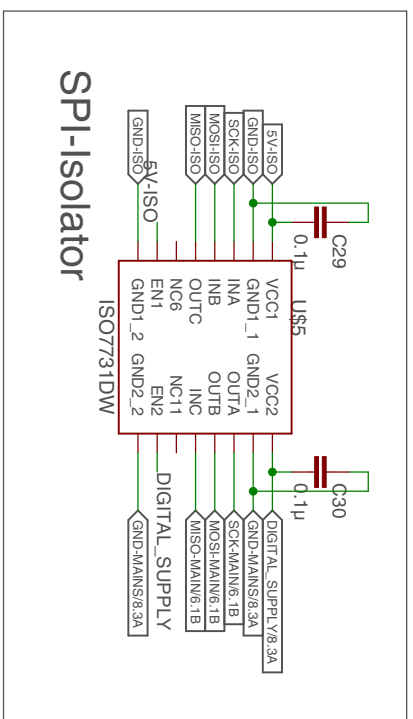
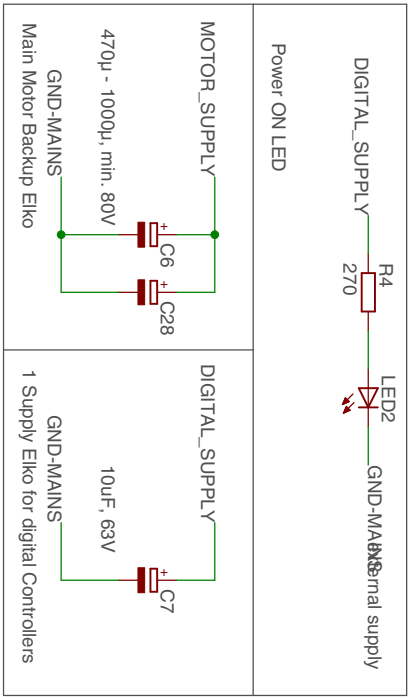
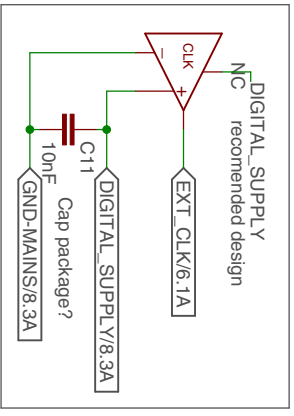
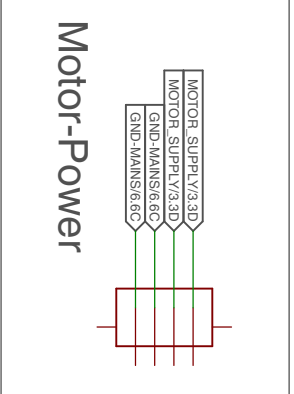
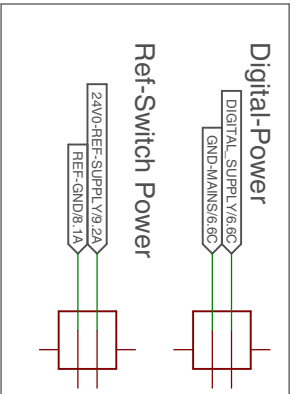
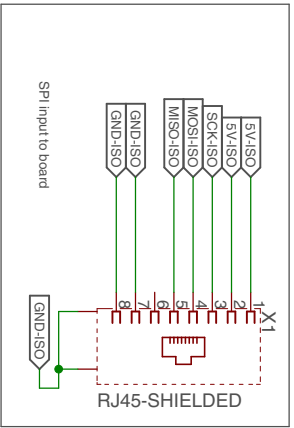
Motion-Controller
Axis2
TMC4361

Motor2-Axis2
 Motor_Board
 09.10.2018 21:39
 Sheet: 5/9

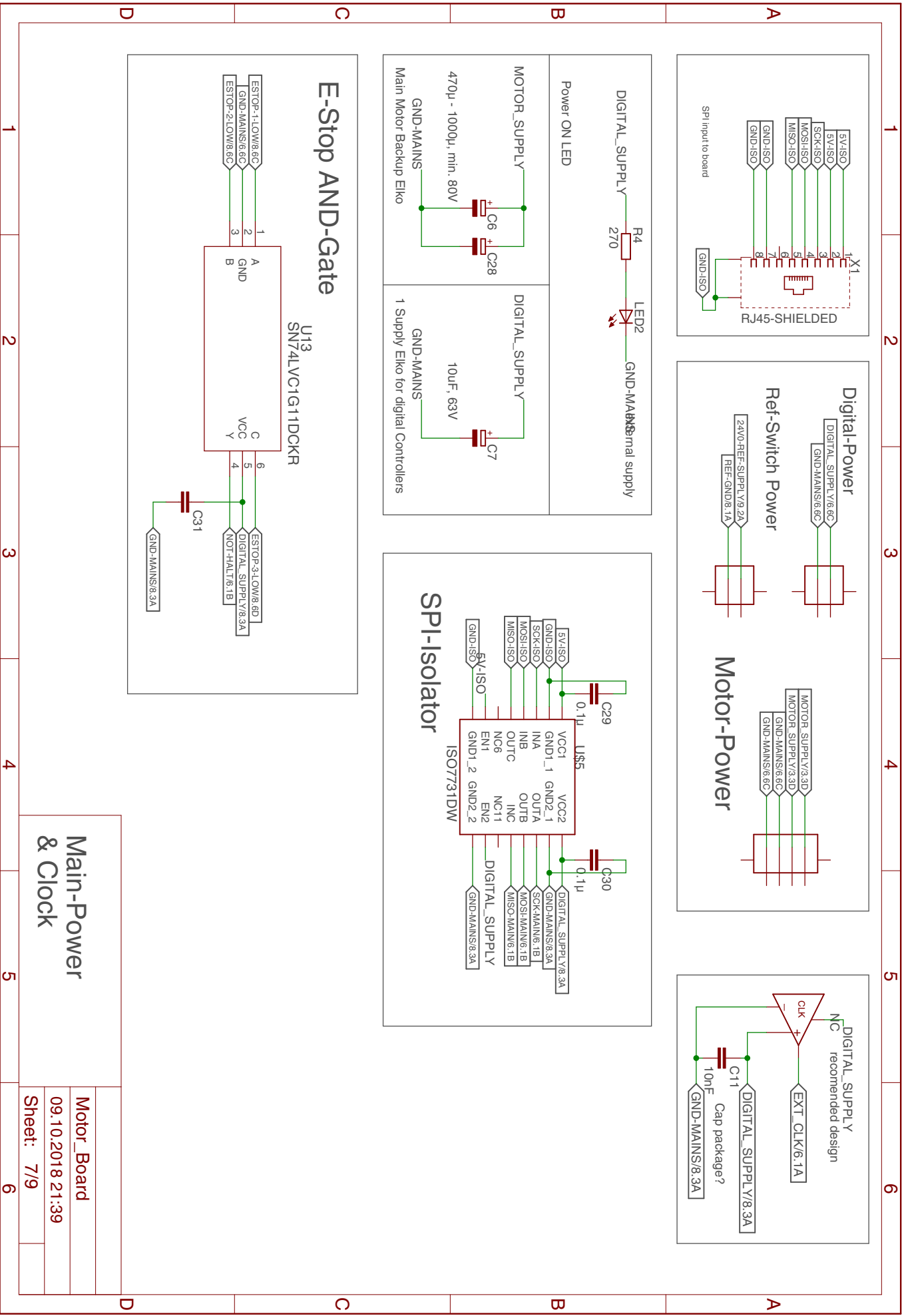


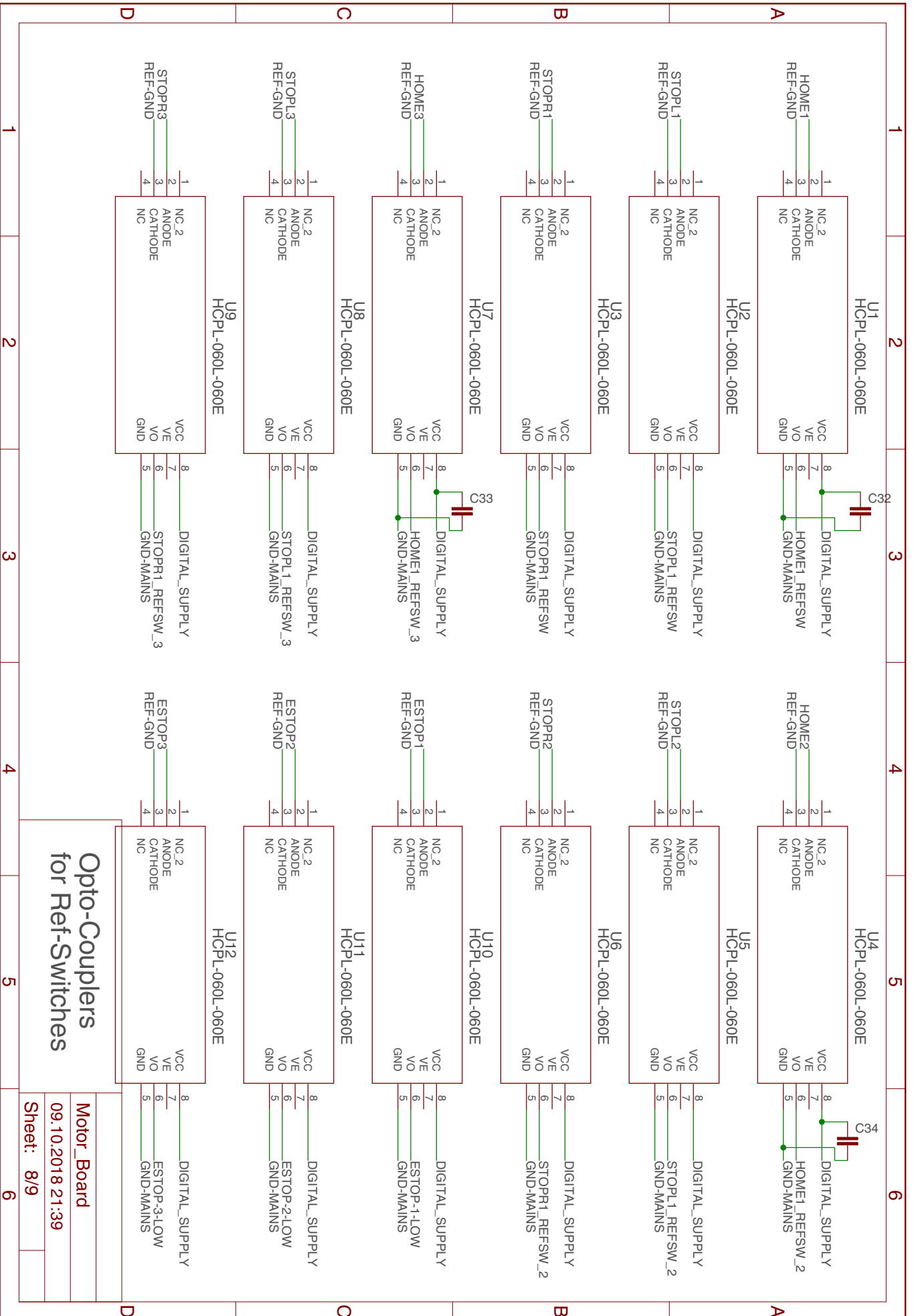
Motion-Controller
Axis2
TMC4361

Motor3-Axis3
Motor_Board
09.10.2018 21:39
Sheet: 6/9



Main-Power & Clock	
Motor_Board	
09.10.2018 21:39	
Sheet: 7/9	



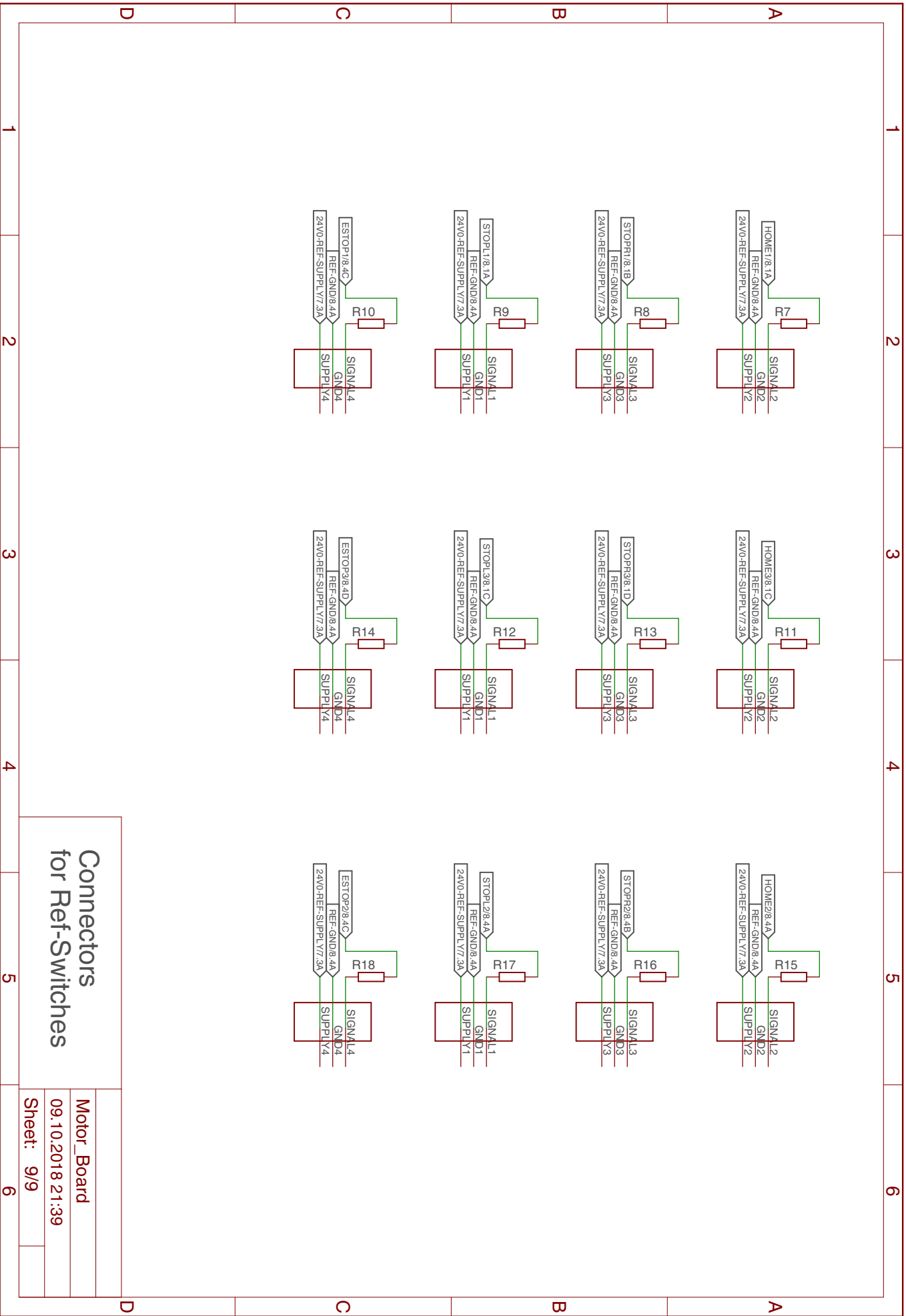


**Opto-Couplers
for Ref-Switches**

Motor_Board

09.10.2018 21:39

Sheet: 8/9



**Connectors
for Ref-Switches**

Motor_Board

09.10.2018 21:39

Sheet: 9/9