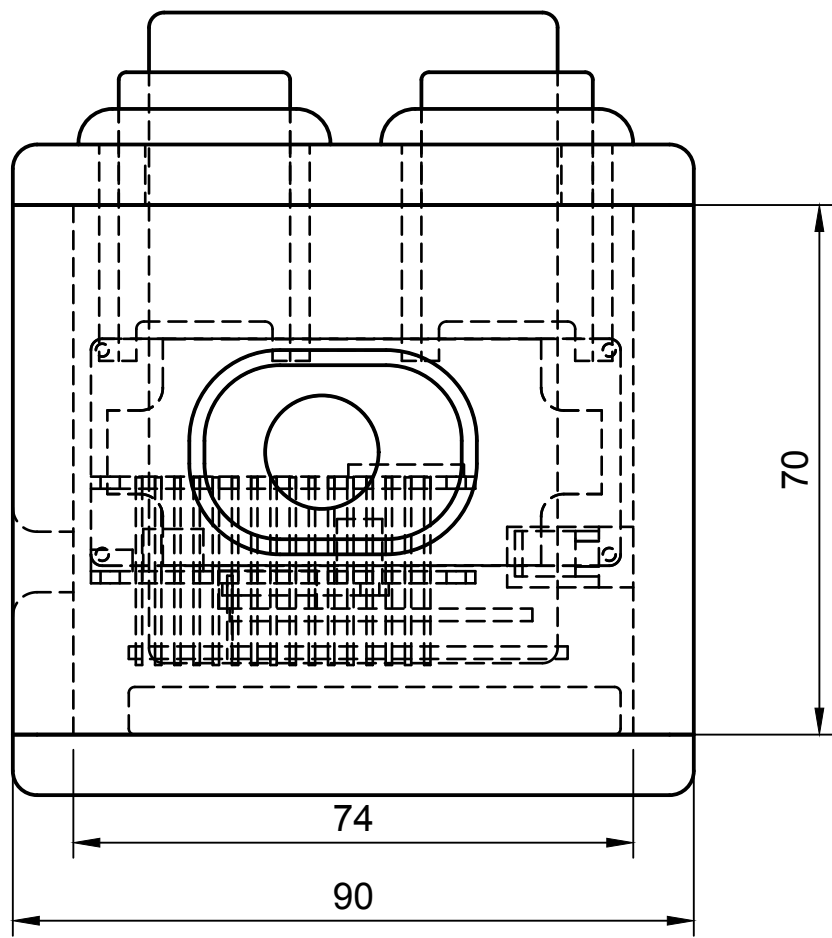
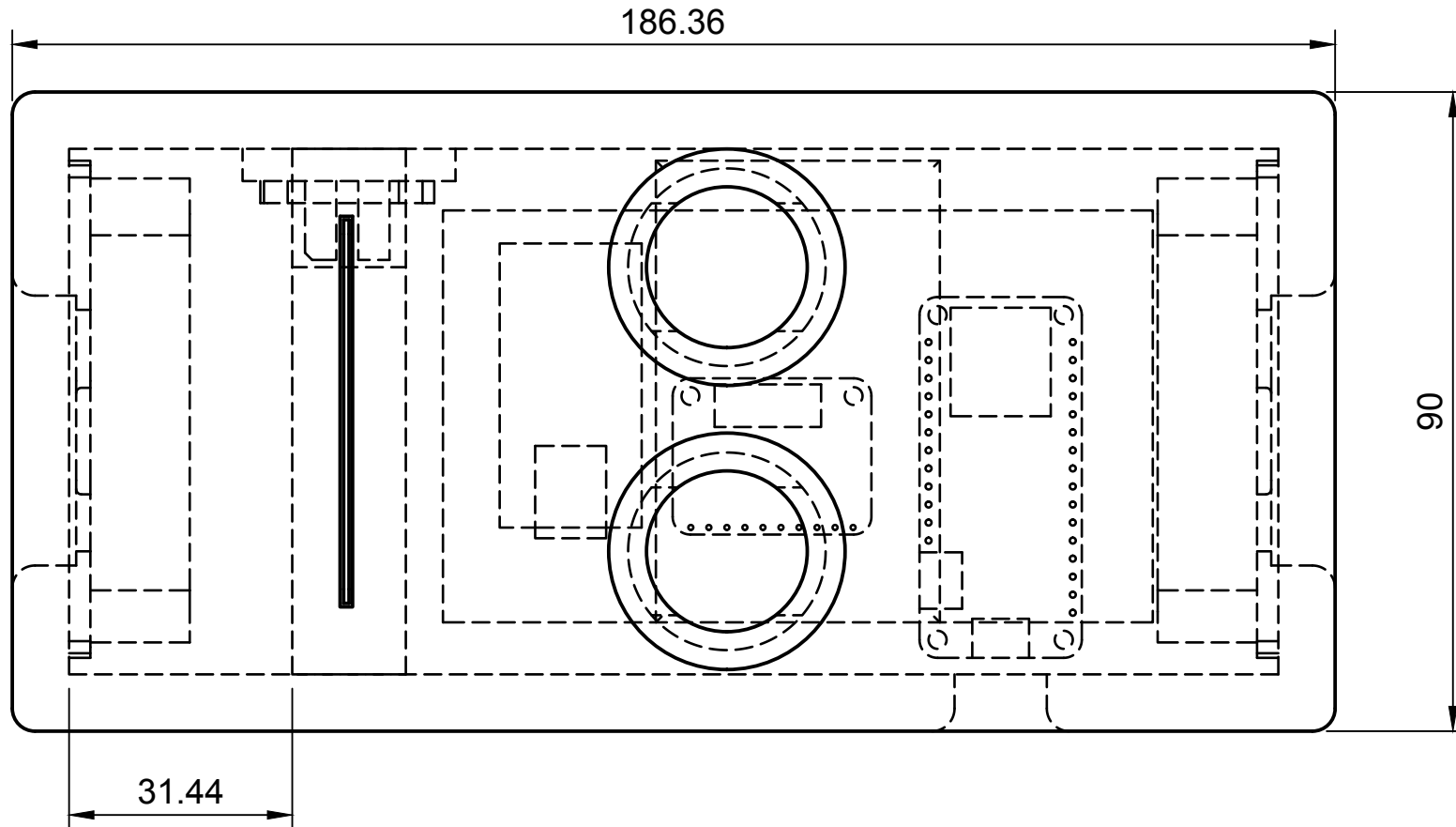


Parts List		
Item	Qty	Part Name
1	1	PCB v2
2	1	RFID slot v7
3	2	Adafruit 3W-40hm v1
4	2	Arcade button v3
5	1	2000mAh LiPo battery v1
6	1	Body round
7	1	Low cap
8	1	Top cap

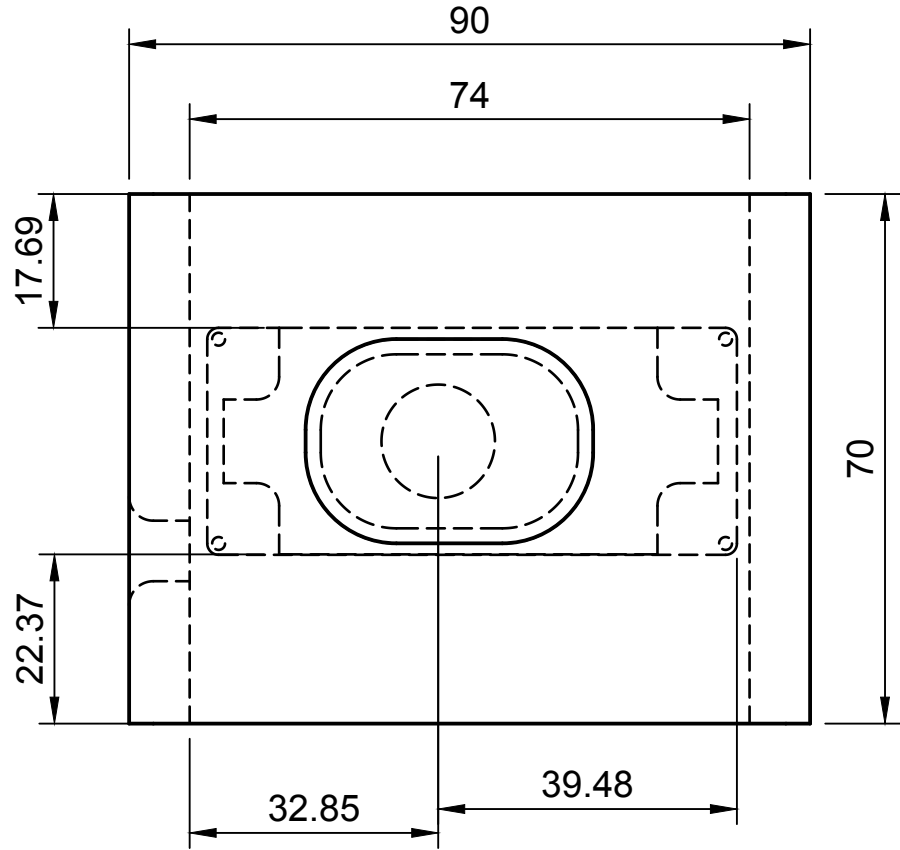
Dept.	Technical reference	Created by Oxullo Intersecans 19.12.18	Approved by
		Document type	Document status
		Title Glayer assembly	DWG No.
Rev. A	Date of issue	Sheet 1/5	



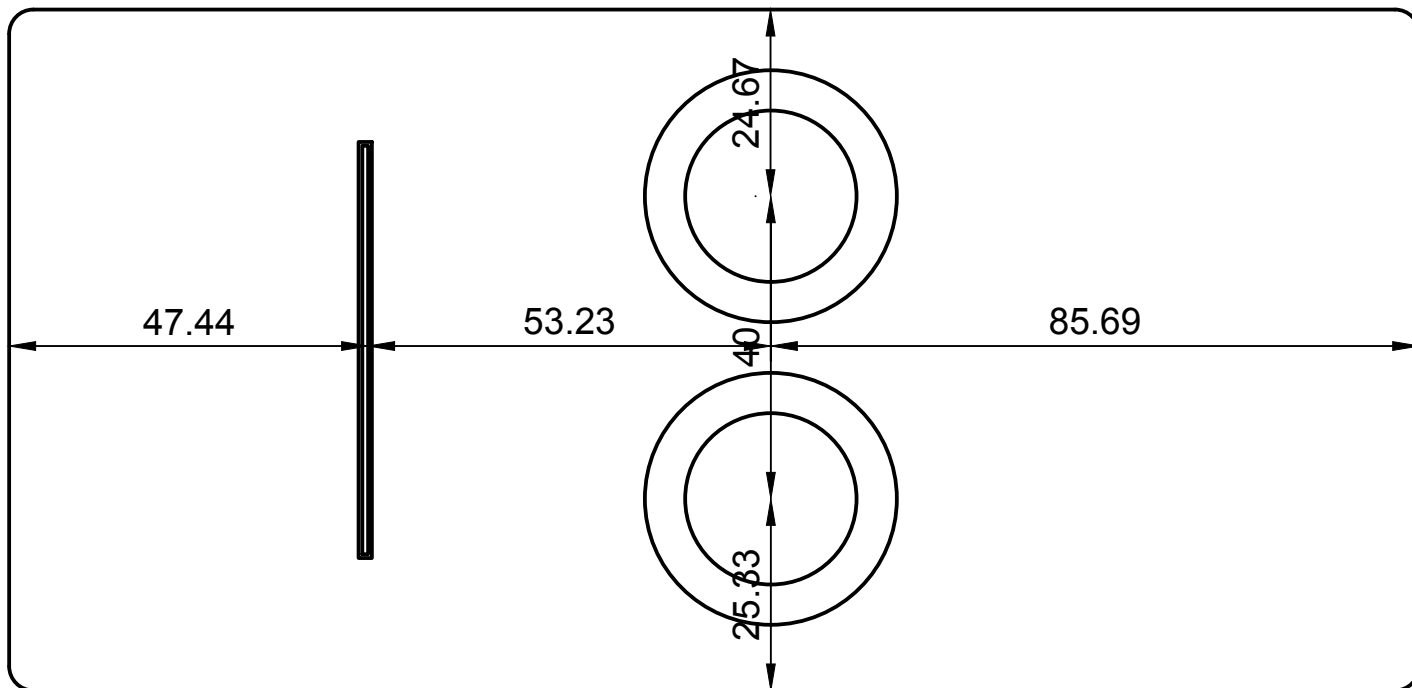
Dept.	Technical reference	Created by Oxullo Intersecans 19.12.18	Approved by	
		Document type	Document status	
		Title Glayer assembly	DWG No.	
		Rev.	Date of issue	Sheet 2/5



Dept.	Technical reference	Created by Oxullo Intersecans 19.12.18	Approved by	
		Document type	Document status	
		Title Glayer assembly	DWG No.	
		Rev.	Date of issue	Sheet 3/5



Dept.	Technical reference	Created by Oxullo Intersecans 19.12.18	Approved by	
		Document type	Document status	
		Title Glayer assembly	DWG No.	
		Rev.	Date of issue	Sheet 4/5



Dept.	Technical reference	Created by Oxullo Intersecans 19.12.18	Approved by	
		Document type	Document status	
		Title Glayer assembly	DWG No.	
		Rev.	Date of issue	Sheet 5/5