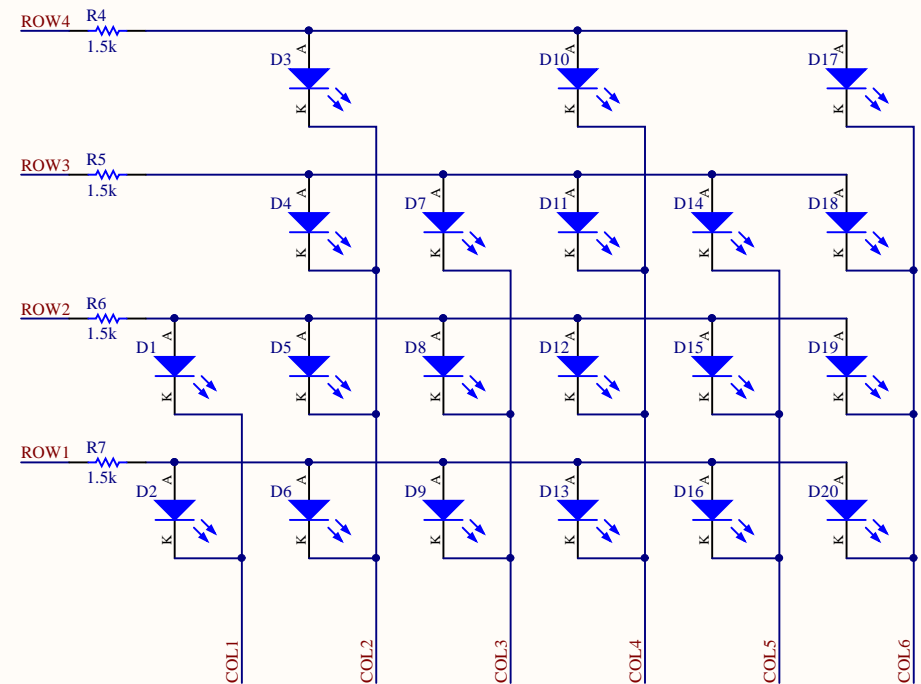
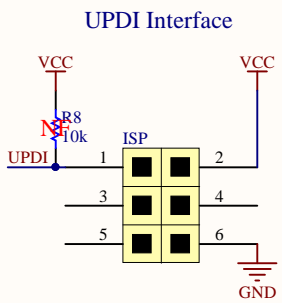
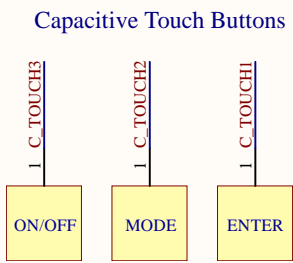
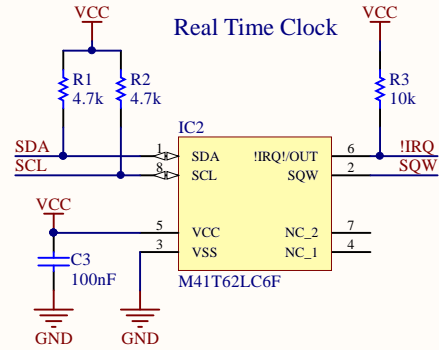
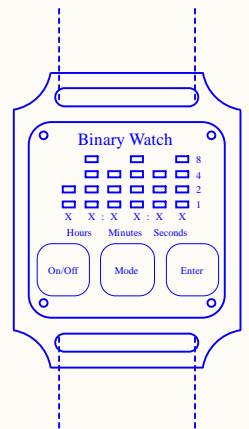


DESIGN NOTE:
Optional external clock (EXTCLK) source for RTC and PIT. This allows the RTC/PIT peripheral to be clocked by the M41T62LC6F, using its SQW output.

DESIGN NOTE:
Optional clock source for Real Time Counter and Periodic Interrupt Timer. If not fitted, the internal ULP 32KHz oscillator or external clock may be used.



DESIGN NOTE:
The UPDI pin is primarily a programming and debugging pin, which can be fused to have an alternative function (/RESET or GPIO). If the alternative function is selected then a 12V pulse is required on that pin in order to re-activate the UPDI functionality.



Title Binary Watch		
Size A4	Number -	Revision B
Date:	25.01.2019	Sheet 1 of 1
File:	C:\Users\...\Binary_Watch.SchDoc	Drawn By: Tobias.N