

1 2 3 4 5 6

A

B

C

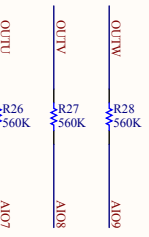
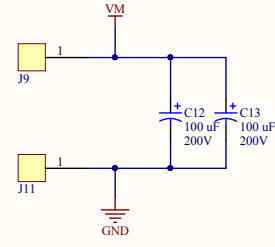
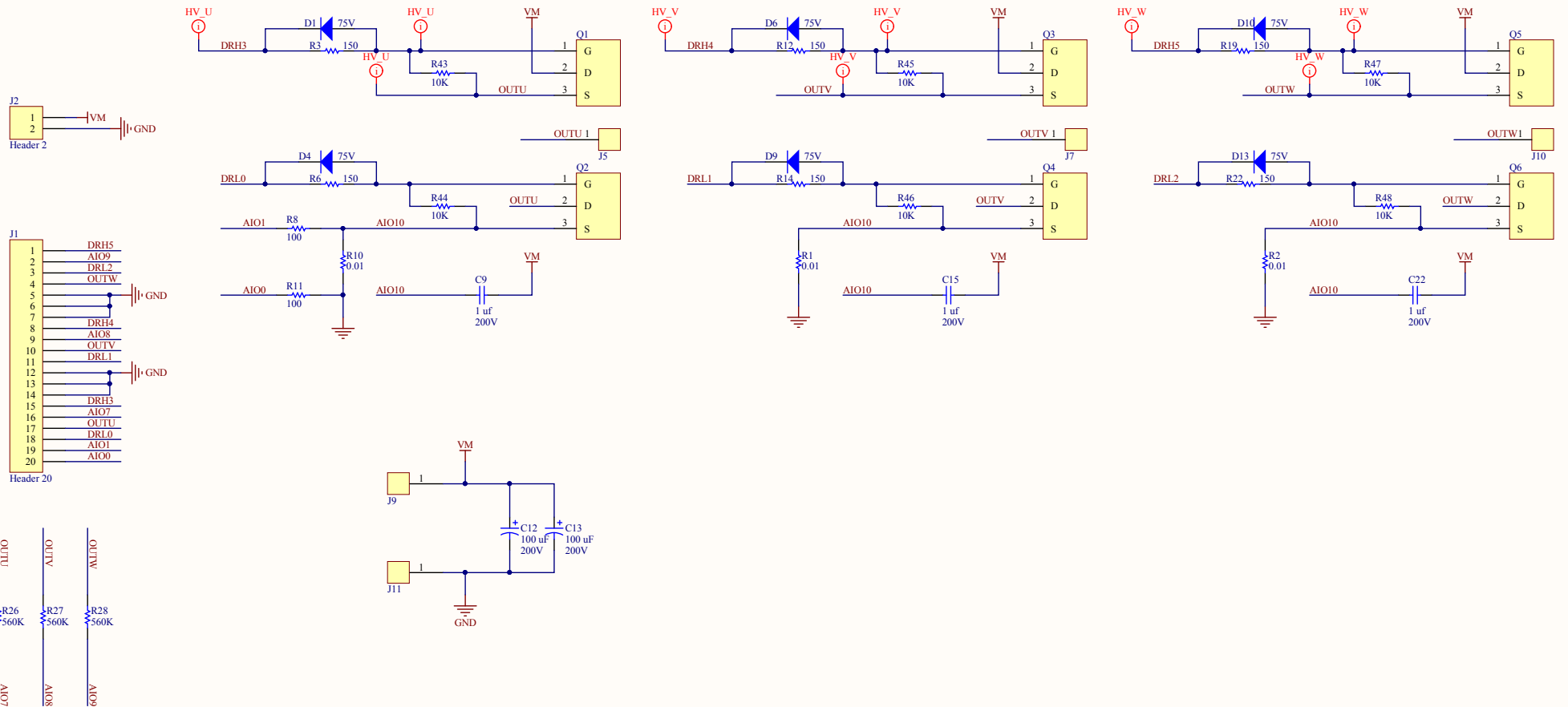
D

A

B

C

D



Size B	FCSM No.	DWG No.	Rev
Scale	Sheet		

1 2 3 4 5 6