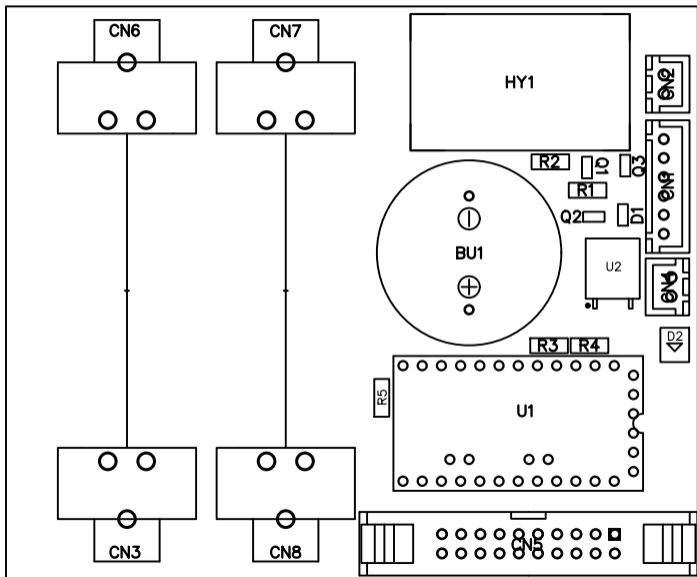


CN2 connects to the two LEDs on the TP4056 module
 CN4 connects to the ON/OFF momentary switch
 More info on : <https://hackaday.io/project/163847-thule-coaster-xt-backlight>

	TITLE: Thule Coaster XT backlight		REV: 1.0
			Sheet: 1/1
Company: LieBtrau		Date: 2019-01-27	Drawn By: LieBtrau



BOM_thule-coaster-xt-backlight_2020-09-09_20-56-03

ID	Name	Designator	Footprint	Quantity	Manufacturer Part	Manufacturer	Supplier	Supplier Part	Mounted	Digi-Key
1	ARDUINO_PRO_MINI	U1	HY_DEVBRD_ARDUINO_PRO_MINI	1 ?						
2	TP4056 MOD	HY1	HY_PMMOD_LIION	1 ?			AliExpress	32467859026		
3	Z-23001002010BW	CN5	CN_HDR_2X10_180D_P254_SLATCH	1	Z-23001002010BW	Nextronics Engineering	LCSC	C221035		
4	LIEBTRAU_LOGO	MC1	MC_LIEBTRAU_LOGO	1 ?					No	
5	B6B-XH	CN1	CN_HDR_1X6_180D_P25_JST_B6B-XH	1 ?			LCSC	C5663		455-2271-ND
6	AO3415A	Q2,Q3	SC_SOT23-3	2	AO3415A	Alpha & Omega Semicon	LCSC	C133233		
7	PKB24SPCH3601-B0	BU1	BU_PKB24SPCH3601-B0	1 ?			Digi-Key	490-4702-ND		
8	MBRS240LT3G	D2	DI_DO214AA_SMB	1	MBRS240LT3G	ON	LCSC	C8165		
9	BC847B	Q1	SC_SOT23-3	1 ?			LCSC	C181140		BC847BLT1GOSCT-ND
10	AP7363-33D-13	U2	SC_TO-252-3L	1	AP7363-33D-13	Diodes Incorporated	LCSC	C108723		
11	B2B-XH	CN2,CN4	CN_HDR_1X2_180D_P25_JST_B2B-XH	2 ?			LCSC	C20079		455-2247-ND
12	BAT54C	D1	SC_SOT23-3	1	BAT54C	CJ	LCSC	C2135		
13	10K	R1,R3	RE_1206	2 ?			LCSC	C104595		311-10.0KFRCT-ND
14	CLIP	CN3,CN6,CN7,CN8	CN_KEYSTONE_54	4		54 Keystone	Digi-Key	36-54-ND		
15	47K	R2,R4,R5	RE_1206	3 ?			LCSC			311-47.0KFRCT-ND