

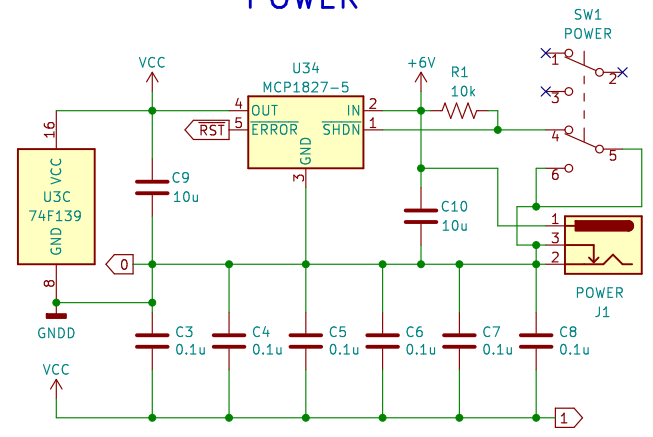
MEMORY

Memory

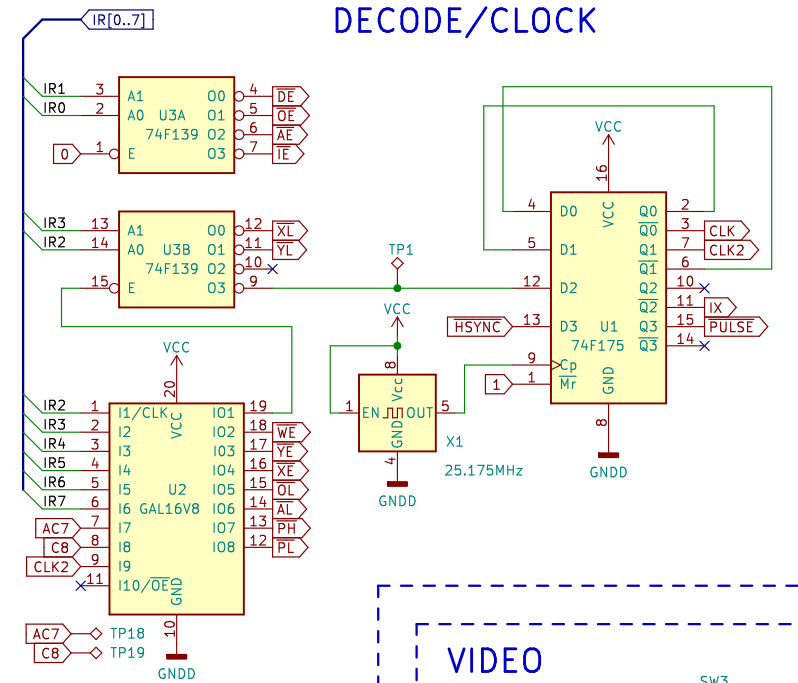
ALU/REGS

ALU+Reg

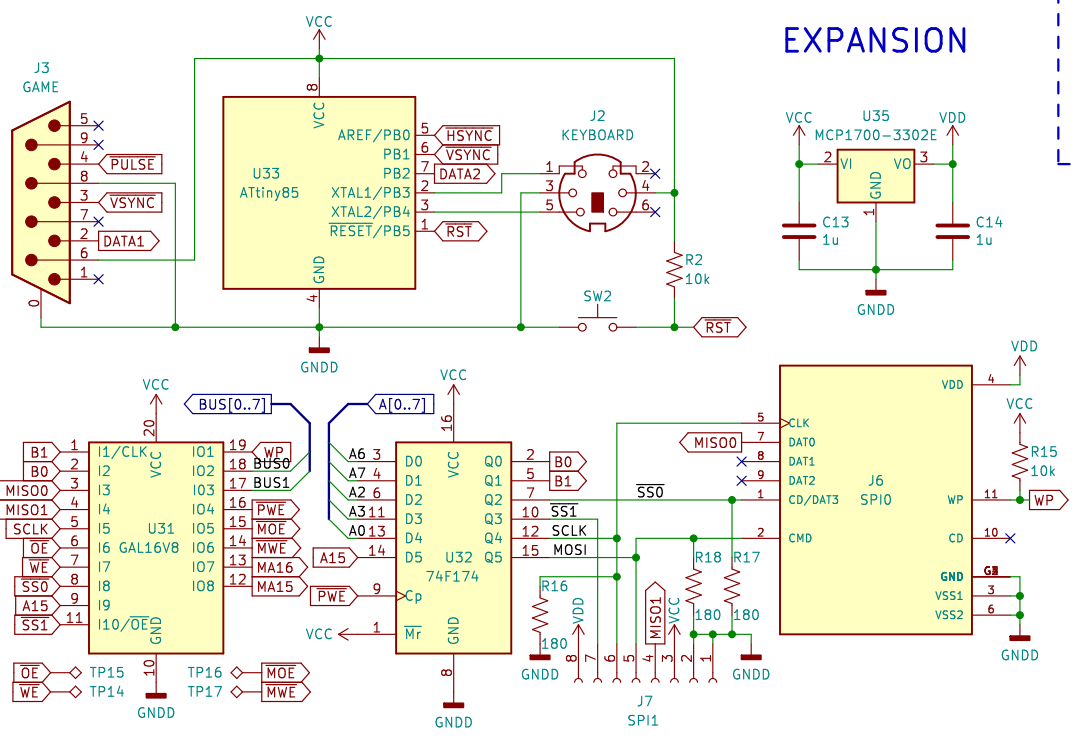
POWER



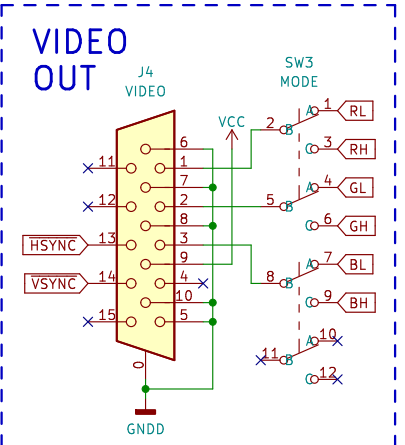
DECODE/CLOCK



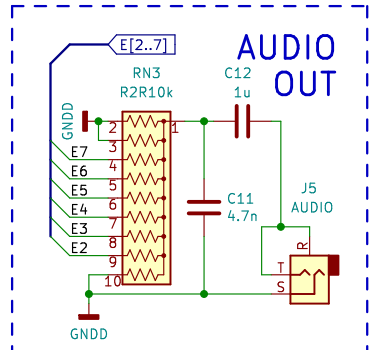
EXPANSION



VIDEO OUT



AUDIO OUT



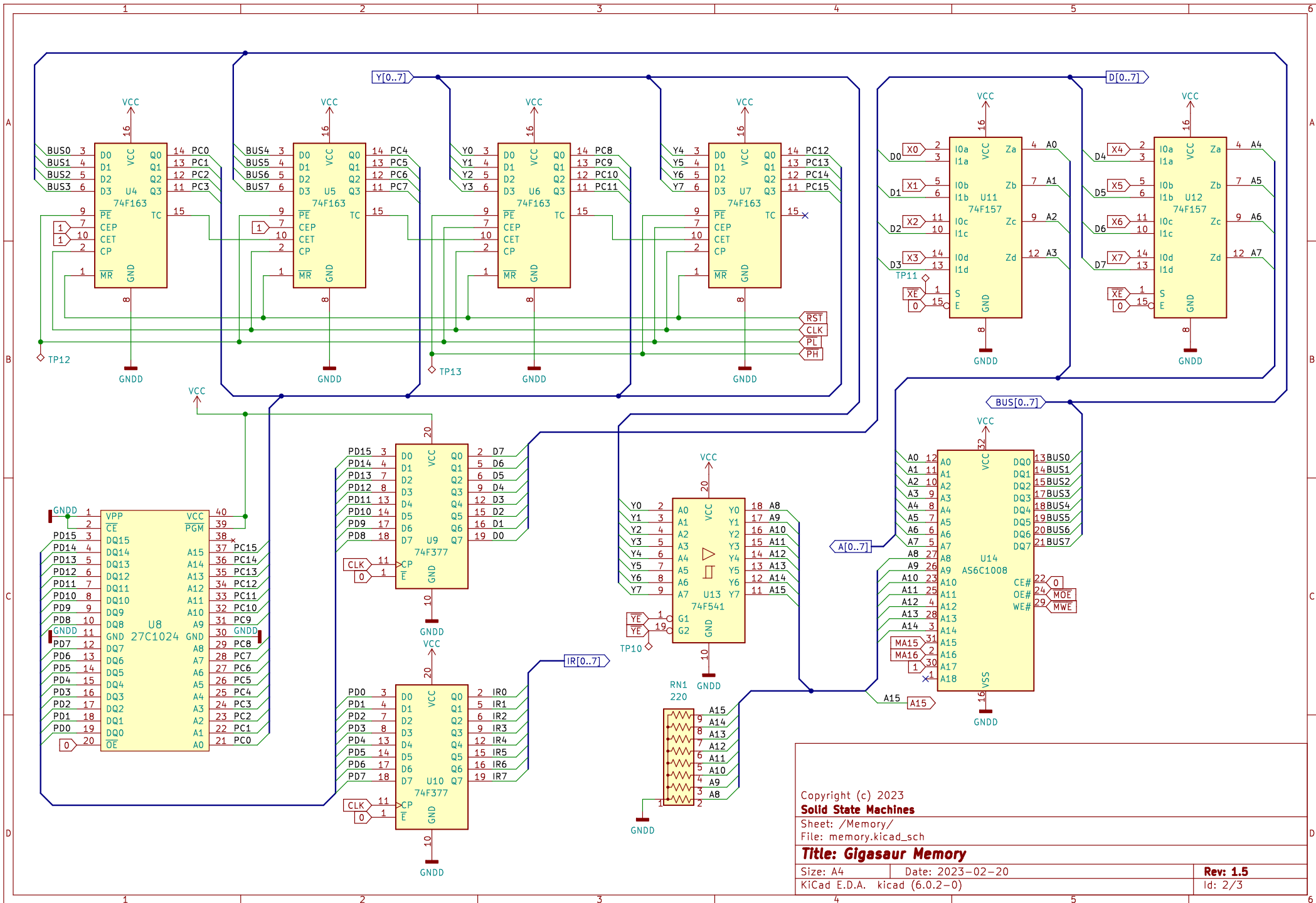
Copyright (c) 2023
Solid State Machines

Sheet: /
File: novatron.kicad_sch

Title: Gigasaur TTL Microcomputer

Size: A4 Date: 2023-02-20
KiCad E.D.A. kicad (6.0.2-0)

Rev: 1.5
Id: 1/3

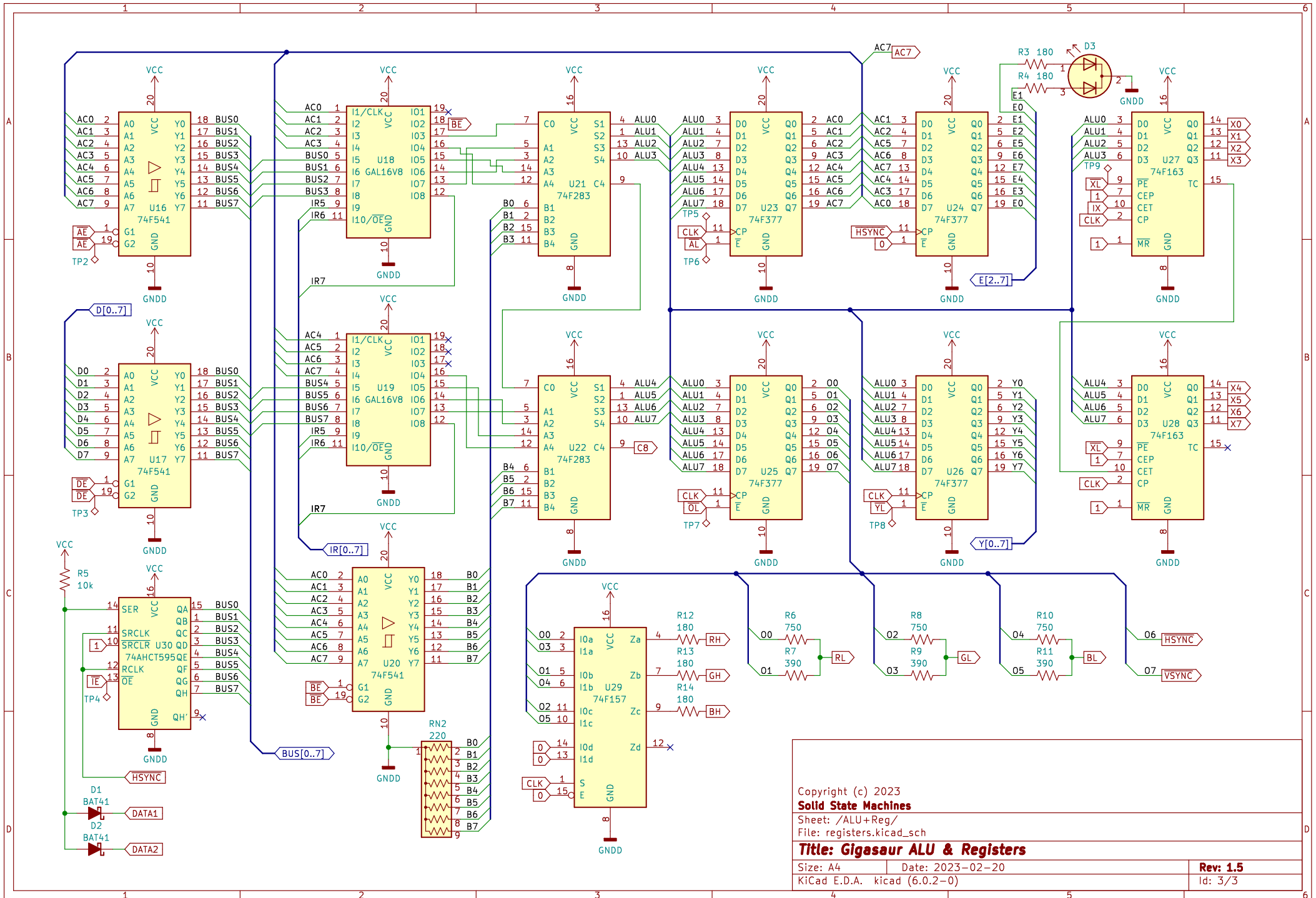


Copyright (c) 2023
Solid State Machines
 Sheet: /Memory/
 File: memory.kicad_sch

Title: Gigasaur Memory

Size: A4 Date: 2023-02-20
 KiCad E.D.A. kicad (6.0.2-0)

Rev: 1.5
 Id: 2/3



Copyright (c) 2023
Solid State Machines
 Sheet: /ALU+Reg/
 File: registers.kicad_sch

Title: Gigasaur ALU & Registers

Size: A4	Date: 2023-02-20	Rev: 1.5
KiCad E.D.A. kicad (6.0.2-0)		Id: 3/3