

1 2 3 4 5 6

A

A

B

B

C

C

Sheet: ECU

ECU

File: YATAC-ECU.sch

Sheet: CPU

CPU

File: YATAC-CPU.sch

Sheet: GPU

GPU

File: YATAC-GPU.sch

Sheet: IO

I/O

File: YATAC-IO.sch

(c) A J Hewitt 2019

Sheet: /
File: YATAC.sch

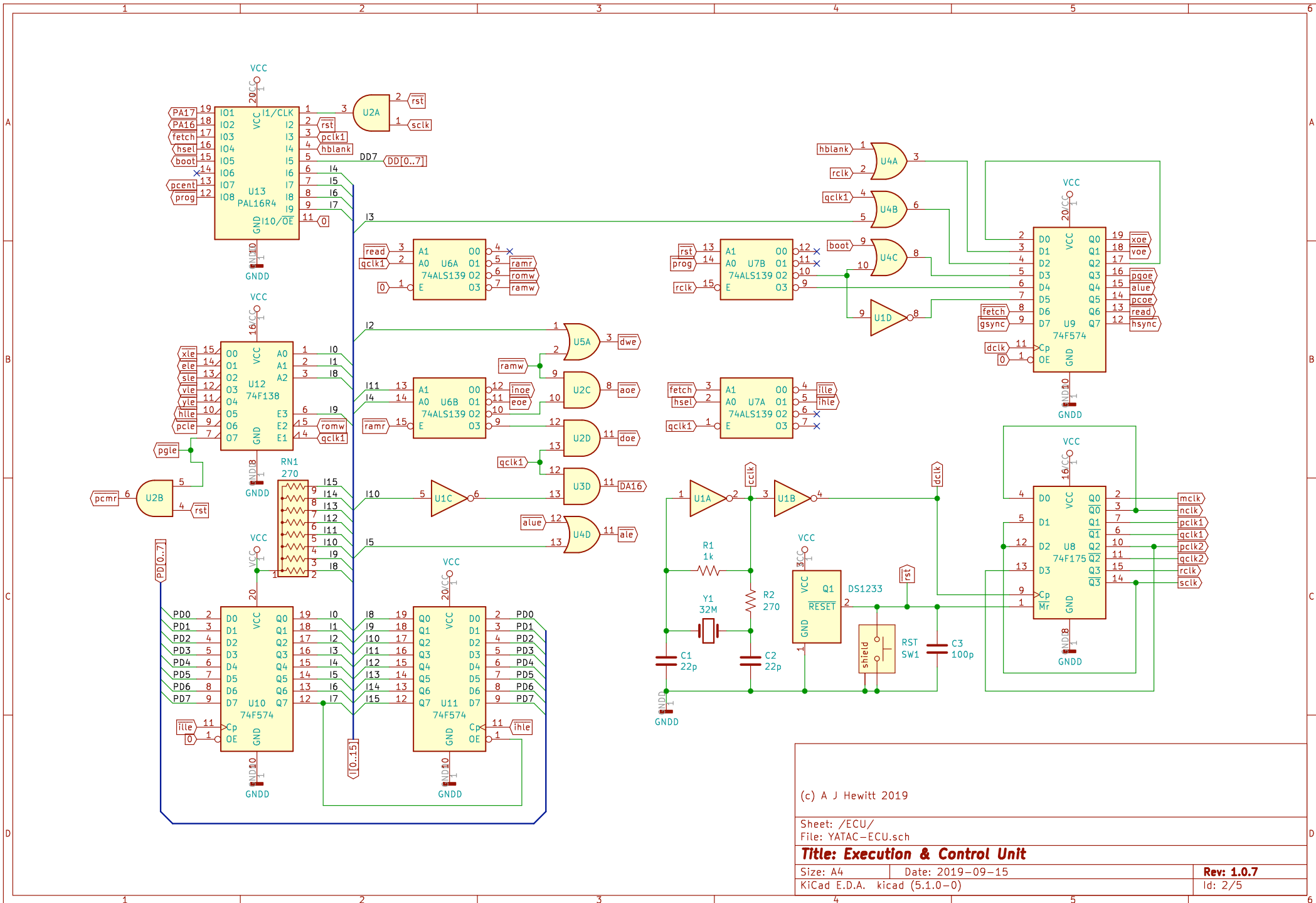
Title: YATAC78 TTL Computer

Size: A4	Date: 2019-09-15	Rev: 1.0.7
KiCad E.D.A. kicad (5.1.0-0)		Id: 1/5

1 2 3 4 5 6

D

D

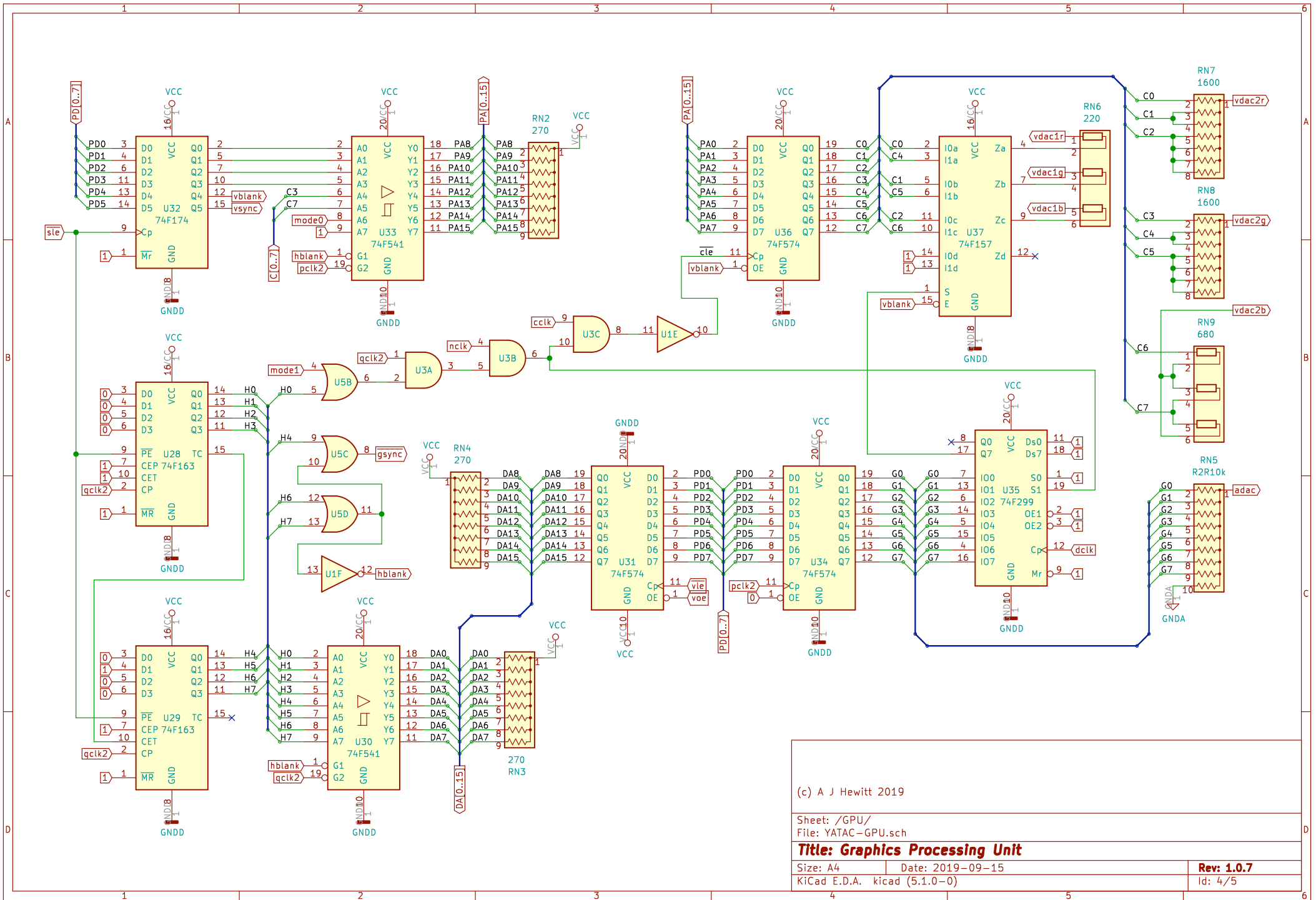


(c) A J Hewitt 2019

Sheet: /ECU/
File: YATAC-ECU.sch

Title: Execution & Control Unit

Size: A4	Date: 2019-09-15	Rev: 1.0.7
KiCad E.D.A. kicad (5.1.0-0)		Id: 2/5



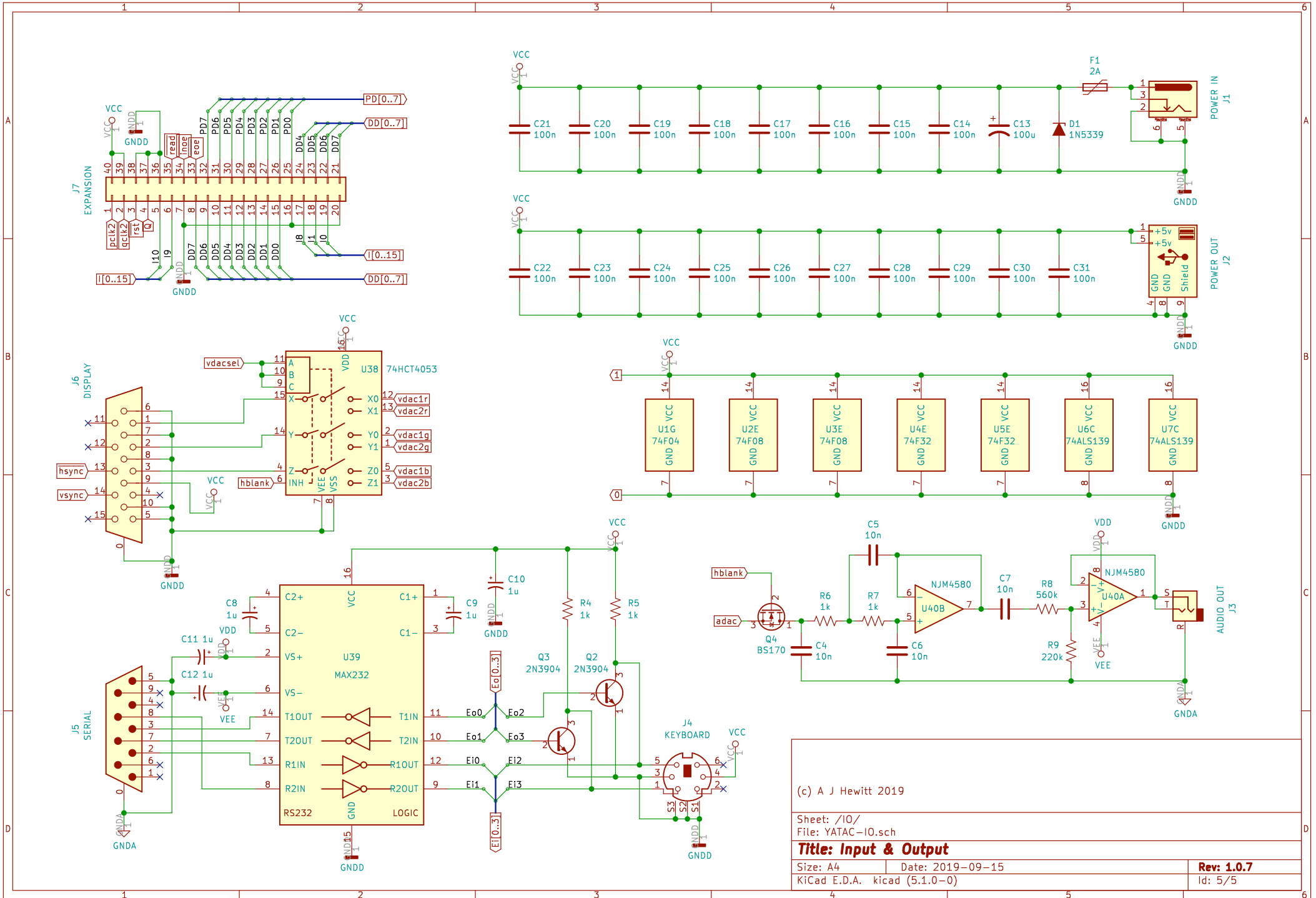
(c) A J Hewitt 2019

Sheet: /GPU/
File: YATAC-GPU.sch

Title: Graphics Processing Unit

Size: A4 Date: 2019-09-15
KiCad E.D.A. kicad (5.1.0-0)

Rev: 1.0.7
Id: 4/5



(c) A J Hewitt 2019

Sheet: /10/
File: YATAC-IO.sch

Title: Input & Output

Size: A4 | Date: 2019-09-15
KiCad E.D.A. kicad (5.1.0-0)

Rev: 1.0.7
Id: 5/5