

sheet5DA1E720

CPU

File: novasaur-cpu.kicad_sch

sheet5DA1E721

GPU

File: novasaur-gpu.kicad_sch

sheet5DA1E722

I/O

File: novasaur-io.kicad_sch

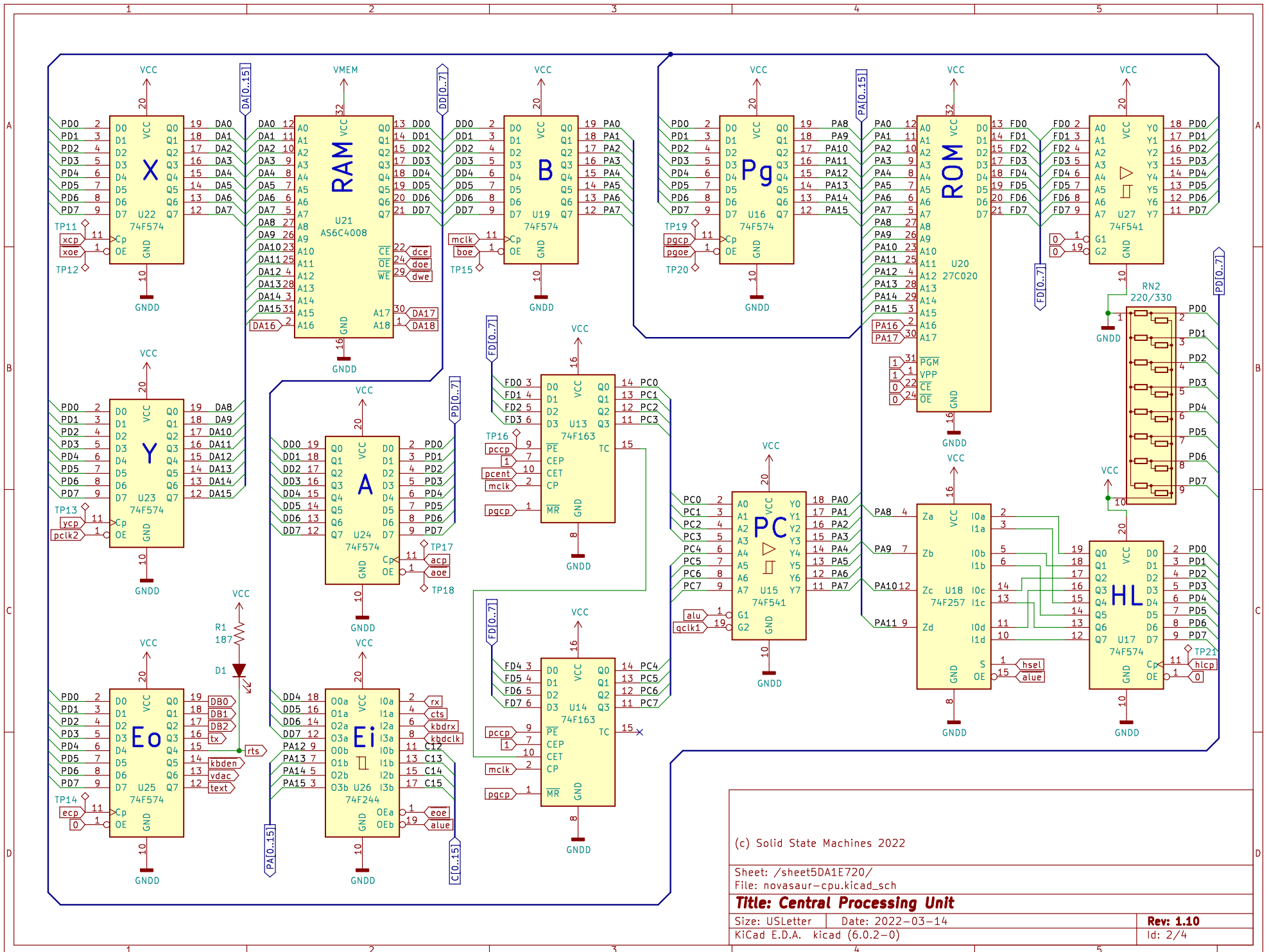
(c) Solid State Machines 2022

Sheet: /
File: novasaur.kicad_sch

Title: Novasaur Retrocomputer

Size: USLetter Date: 2022-03-14
KiCad E.D.A. kicad (6.0.2-0)

Rev: 1.10
Id: 1/4



(c) Solid State Machines 2022

Sheet: /sheet5DA1E720/
File: novasaur-cpu.kicad_sch

Title: Central Processing Unit

Size: USLetter Date: 2022-03-14
KiCad E.D.A. kicad (6.0.2-0)

Rev: 1.10
Id: 2/4

