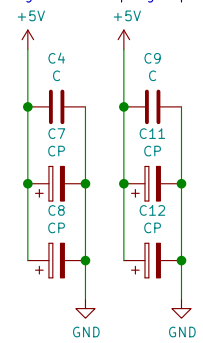


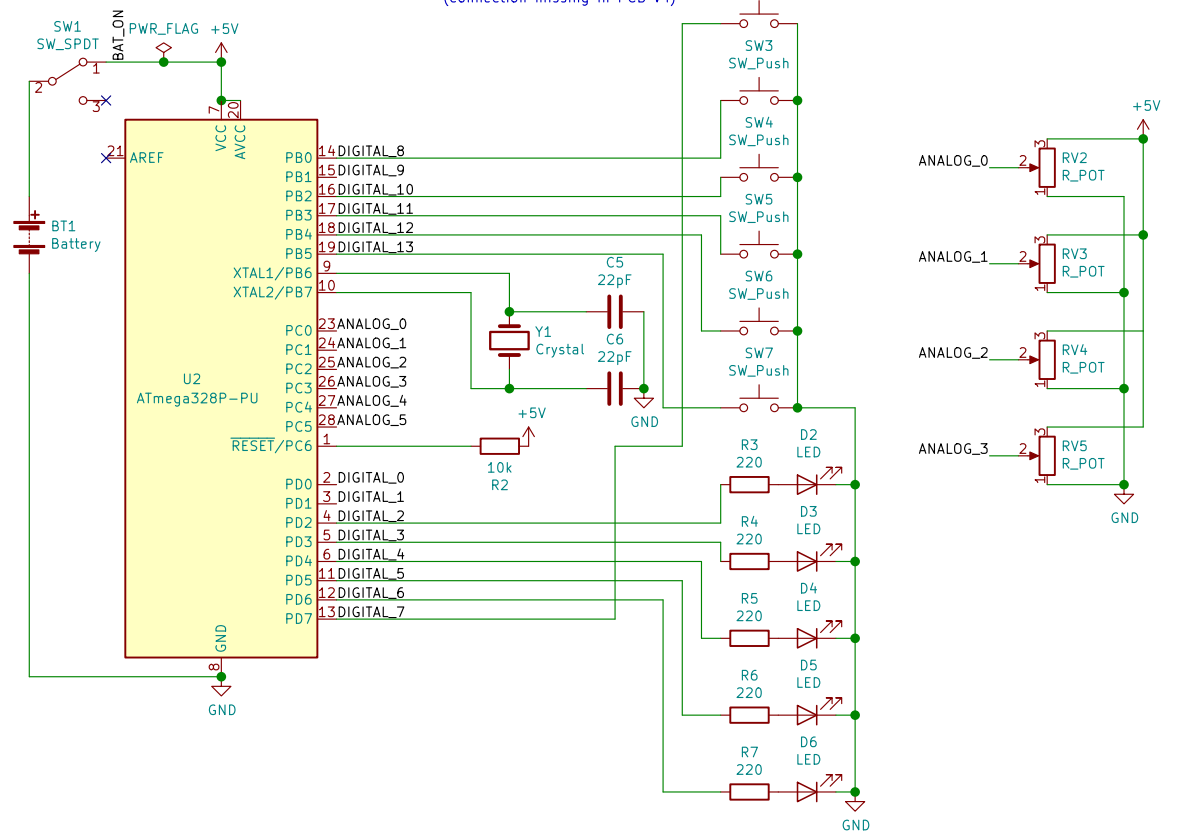
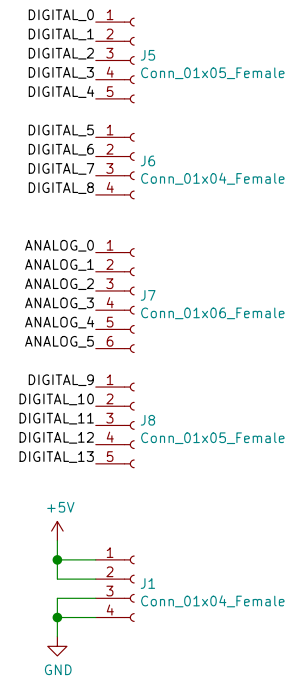
N.B. Pin 4 of LM386 needs to be manually connected to ground (connection missing in PCB v4)

Atmega328 decoupling capacitors



N.B. I left space for six decoupling capacitors in case they were needed (three for each pair of power/ground pins) but final design only required C4 (100nF).

Arduino pin breakouts for extra hackability



by Matt Bradshaw	
Sheet: /	
File: drumkid.sch	
Title: DrumKid	
Size: A4	Date:
KiCad E.D.A. eeschema (5.0.1)-3	Rev: v4
	Id: 1/1