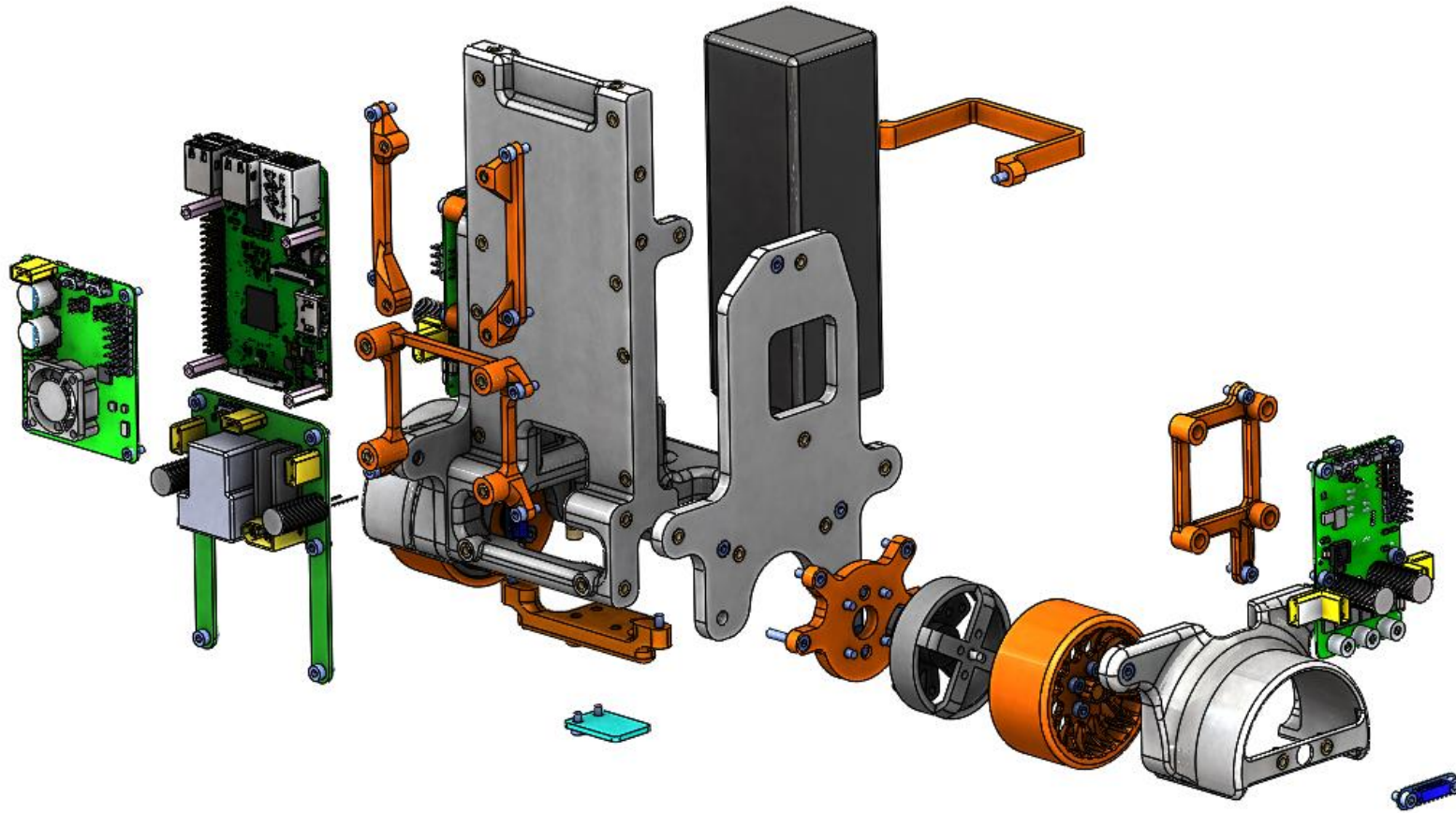


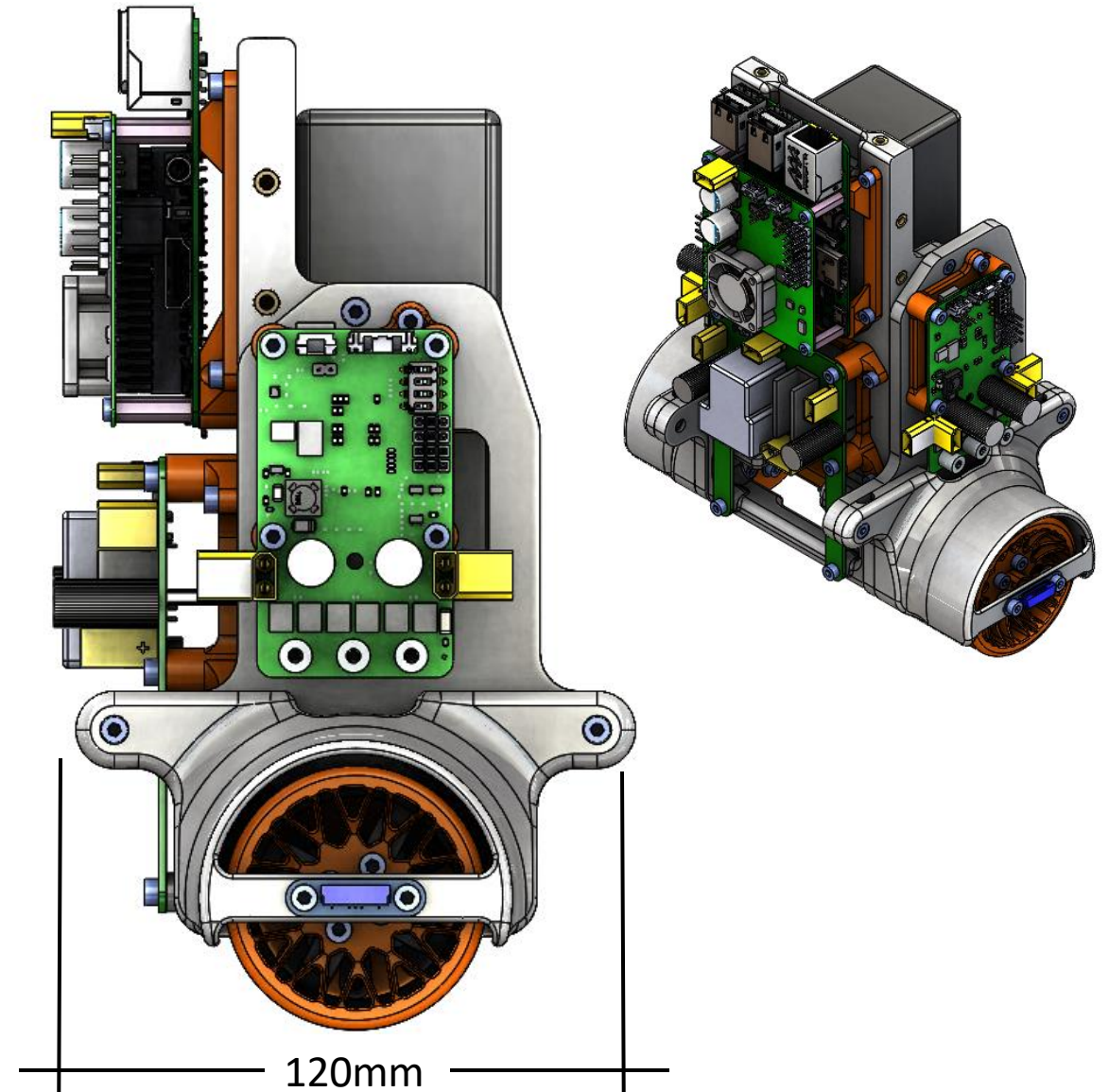
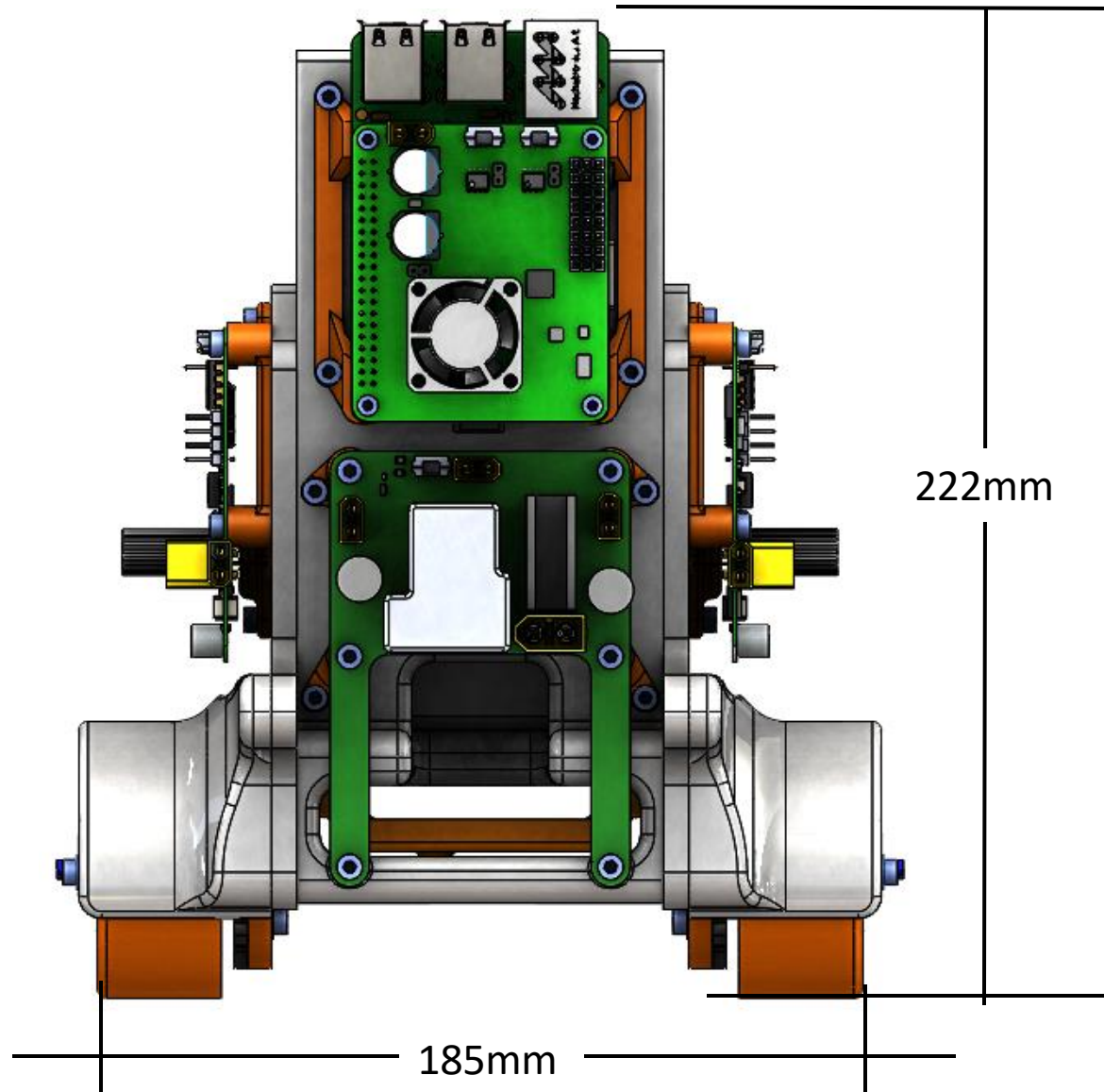
Bobble-Bot Assembly Instructions

Bobble-Bot Exploded View





Bobble-Bot

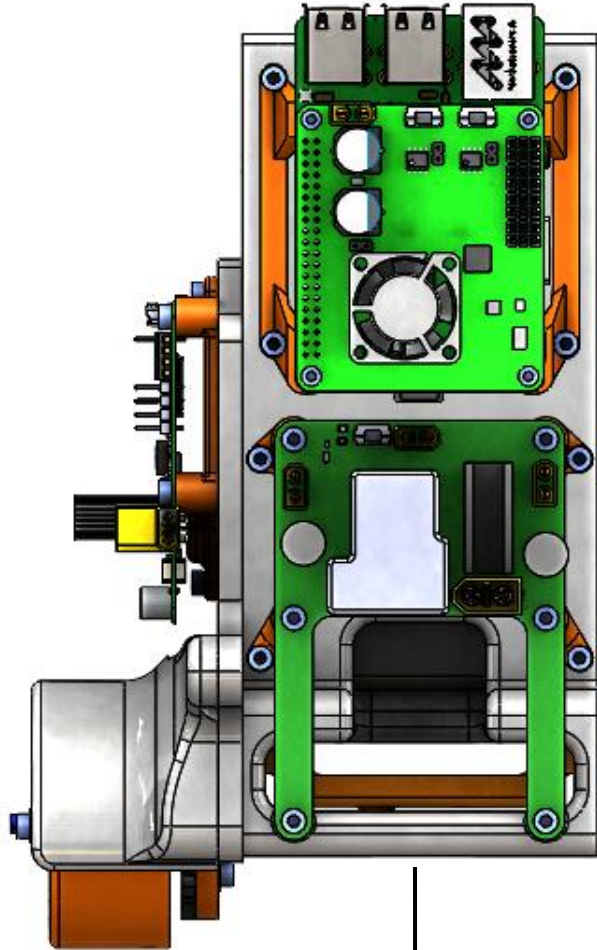




Bobble-Bot Actuator Components

Left/Right are of similar construction

BB2S004 – Actuator Bulkhead Left
4x 91502A103, 8mm M3 x 0.5

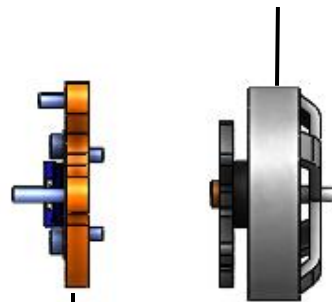


BB2S009 – Central Bulkhead



BB2S002 – Motor Mount
4x 91502A101, 5mm M3 x 0.5
4x 91502A106, 14mm M3 x 0.5

Turnigy Multistar 690kV



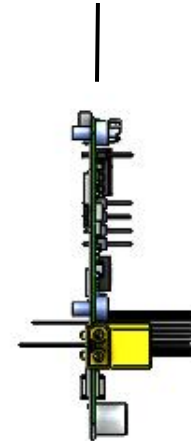
BB2S006 – Awesome Wheel
4x 91502A101, 5mm M3 x 0.5



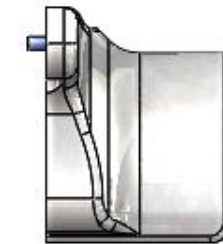
BB2S008 – Chupacabra Mount
2x 91502A103, 8mm M3 x 0.5



SOE Chupacabra BLDC Servo Drive



BB2S001 – Fender
2x 91502A103, 8mm M3 x 0.5



AS5047D Position Sensor
2x 91502A101, 5mm M3 x 0.5





Bobble-Bot Construction

Raspberry Pi 3B
4x 98952A113, 16mm M2.5 x 0.45 Stand-off

SOE Raspberry Pi CAN Shield
4x 91290A100, 5mm M2.5 x 0.45

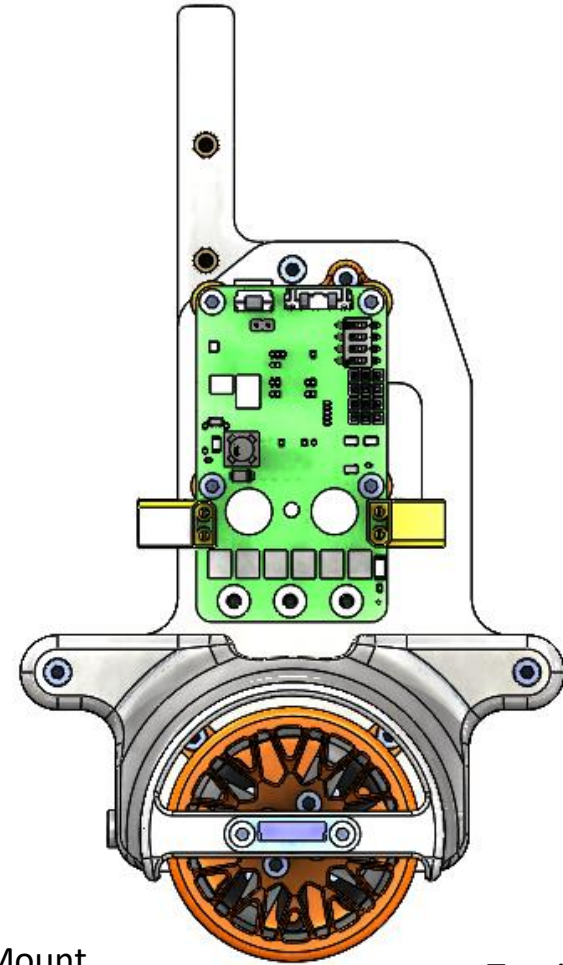
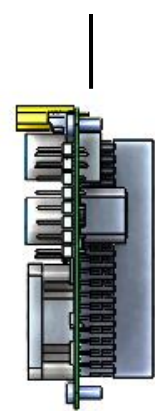
BB2S011/012 - Raspi Mounts
4x 91290A103, 8mm M3 x 0.5

SOE PDU/Safety Board
4x 91290A101, 5mm M3 x 0.5

BB2S010 - PDU Mount
4x 91290A103, 8mm M3 x 0.5

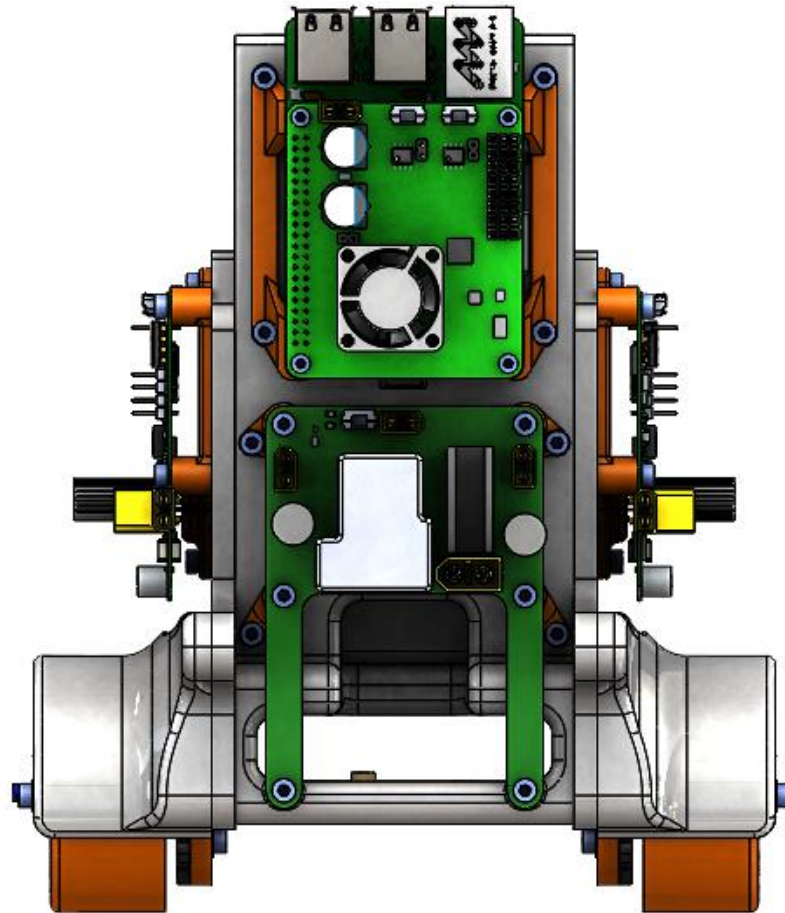
Turnigy 4S 5000mAh 14.8V LiPo

BB2S013 - Battery Tie Down
2x 91290A103, 8mm M3 x 0.5





Bobble-Bot IMU



BB2S005 – IMU Mount
4x 91290A103, 8mm M3 x 0.5



DFRobot's SEN0140
4x 91290A100, 5mm M2.5 x 0.45