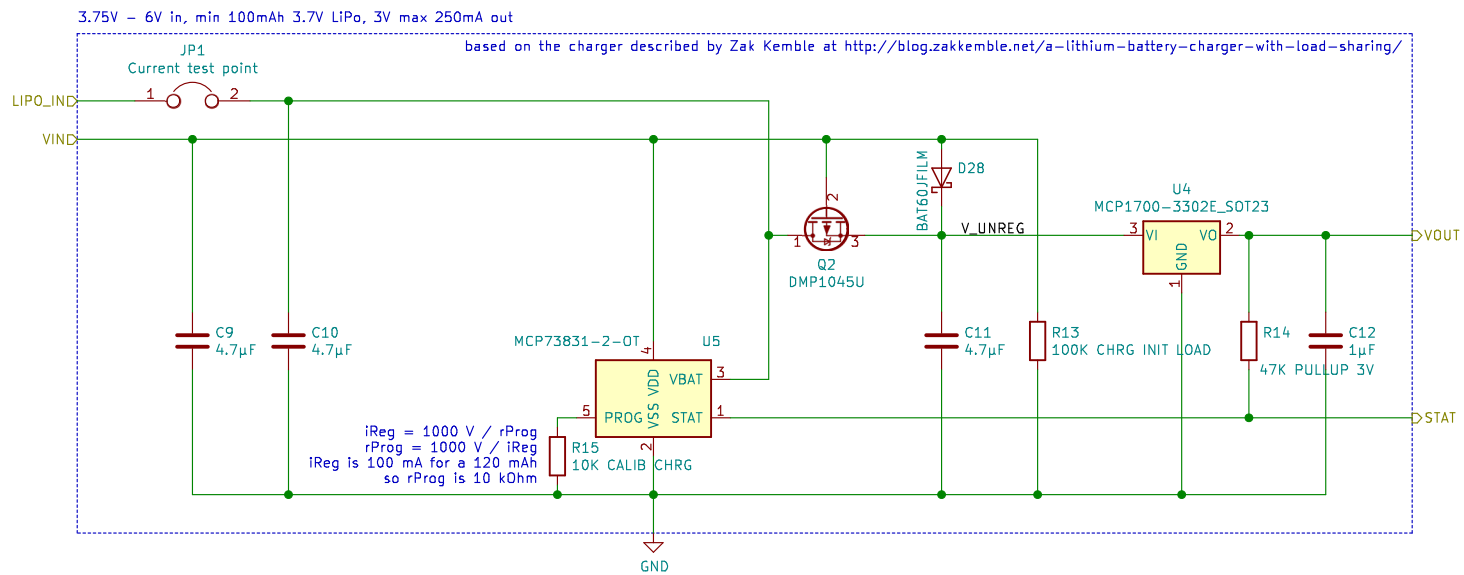


Sheet: /	
File: boussole.sch	
<b>Title:</b>	
Size: A4	Date:
KiCad E.D.A. kicad 6.0.0-unknown-dd702cd86ubuntu18.04.1	
<b>Rev:</b>	
Id: 1/2	



Sheet: /sheet5CF56463/  
 File: power\_management.sch

**Title:**

Size: A4  
 KiCad E.D.A. kicad 6.0.0-unknown-dd702cd86ubuntu18.04.1

Date:

Rev:  
 Id: 2/2