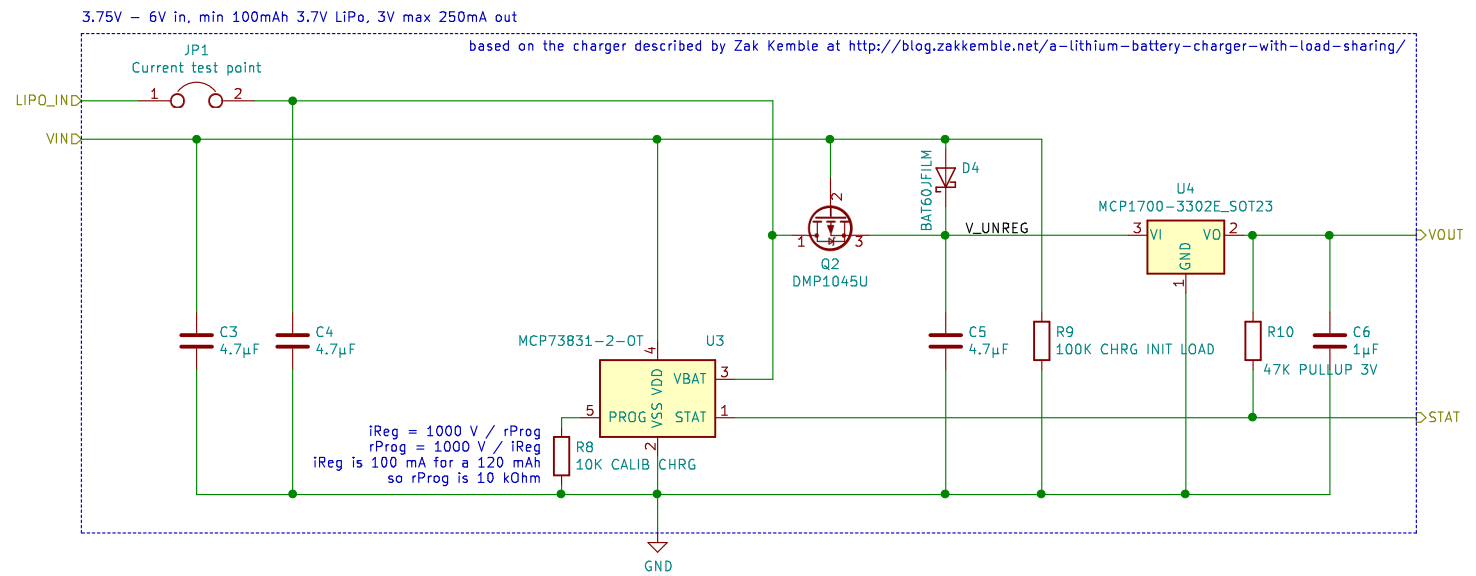


Sheet: /	
File: sablier.sch	
Title:	
Size: A4	Date:
KiCad E.D.A. kicad 6.0.0-unknown-dd702cd86ubuntu18.04.1	Rev: 1/2



Sheet: /Power Management/
 File: power_management.sch

Title:

Size: A4

Date:

KiCad E.D.A. kicad 6.0.0-unknown-dd702cd86ubuntu18.04.1

Rev:

Id: 2/2