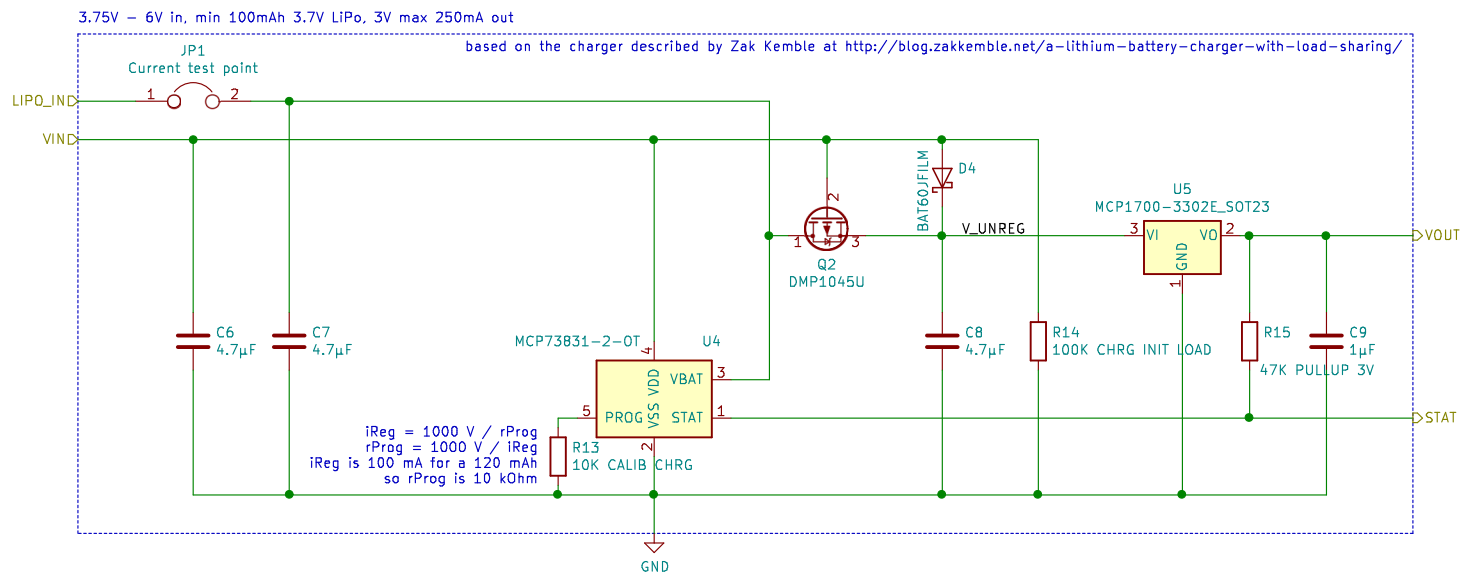


Sheet: /	
File: sifflet.sch	
Title:	
Size: A4	Date:
KiCad E.D.A. kicad 6.0.0-unknown-dd702cd86ubuntu18.04.1	
Rev:	Id: 1/2



Sheet: /sheet5CF66014/
 File: power_management.sch

Title:

Size: A4
 KiCad E.D.A. kicad 6.0.0-unknown-dd702cd86ubuntu18.04.1

Date:

Rev:
 Id: 2/2